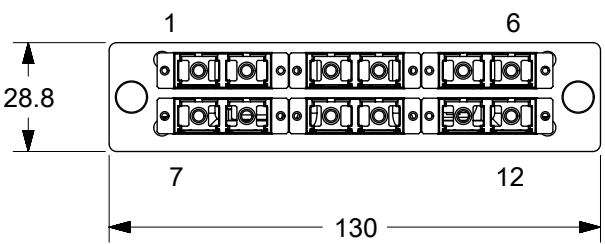
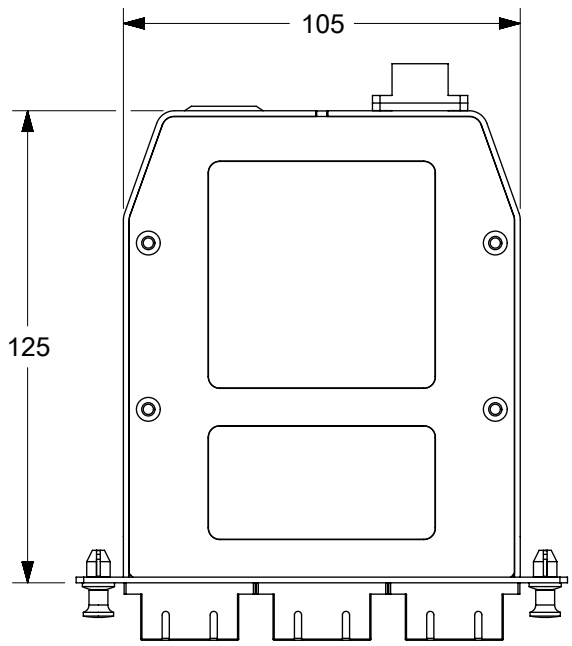
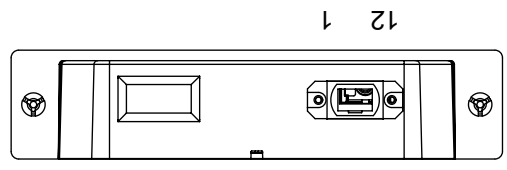
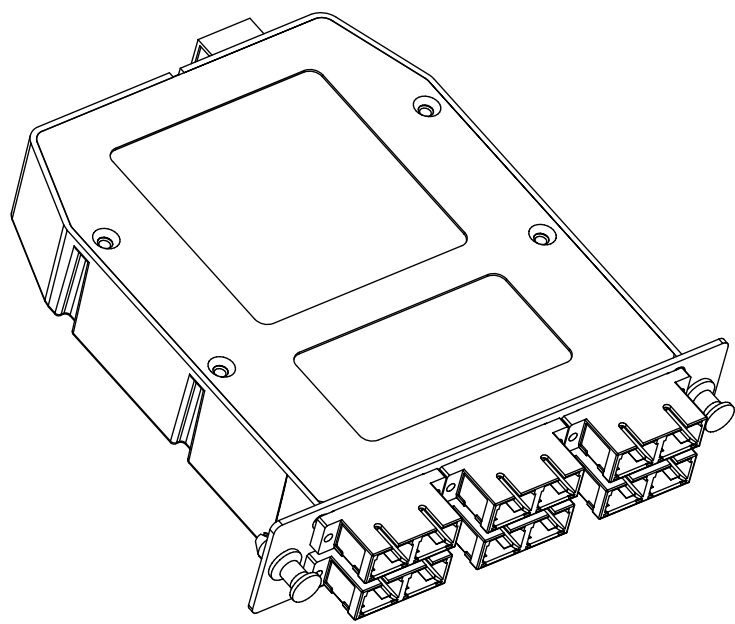


Fiber Type	Adapter color	Fan-out Type	
		MPO Conn.	SC Conn.
SM/G657A	Blue	Male/APC	PC



1. Product Optical Specification

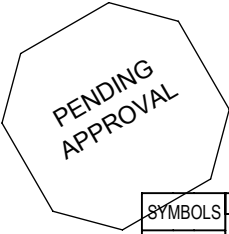
Item	Parameters	Note	Min.	Typ.	Max.	Unit
1	Operating Wavelength ¹	Single-Mode	1310 / 1550			nm
2	Insertion Loss ^{1,2} (MPO side)	Single-Mode Elite			0.35	dB
3	Insertion Loss ^{1,2} (Fan-out side)	Single-Mode PC			0.20	dB
4	Return Loss ^{1,2} (MPO side)	Single-Mode	60			dB
5	Return Loss ^{1,2} (Fan-out side)	Single-Mode PC	50			dB
6	Operating Temperature	---	-20		70	°C

- Note:
- Single-mode loss test to be performed at 1310nm and 1550nm. IL and RL must be tested at room temperature. (Multimode RL testing is not required.)
 - Consistent optical performance for multimode (flat protruded polish) and single-mode (Angled protruded polish).

2. Product Channel Identification Table

BACK #1 MPO (1-12)	TOP ROW PANEL	BACK MPO (1-6) PORT						P1	P2	P3	P4	P5	P6	
		FRONT LC PORT						P1	P2	P3	P4	P5	P6	
		FIBER COLOR						BL	OR	GR	BR	SL	WH	
	BOTTOM ROW PANEL	BACK MPO (7-12) PORT						P7	P8	P9	P10	P11	P12	
		FRONT LC PORT						P7	P8	P9	P10	P11	P12	
		FIBER COLOR						RD	BK	YL	VI	RO	AQ	

- NOTES:
- MATERIAL: Plastic.
 - COLOR: BLACK.
 - DIMENSION: 125x105x28.8mm.
 - WEIGHT: 110gm.
 - DUST CAPS ARE NOT SHOWN IN DRAWING.



THIS DRAWING CONTAINS INFORMATION THAT IS PROPRIETARY TO MOLEX ELECTRONIC TECHNOLOGIES, LLC AND SHOULD NOT BE USED WITHOUT WRITTEN PERMISSION											
SYMBOLS	DIMENSION UNITS	SCALE	CURRENT REV DESC:								
	mm	1:2	EC NO: 178536 DRWN: IGUMIN 2018/06/29 CHK'D: APPR:								
▽ = 0 ▽ = 0 ▽ = 0 ▽ = 0 ▽ = 0 ▽ = 0 ▽ = 0 ▽ = 0 ▽ = 0 ▽ = 0 ▽ = 0	GENERAL TOLERANCES (UNLESS SPECIFIED)		INITIAL REVISION: DRWN: IGUMIN 2018/06/29 APPR:								
	ANGULAR TOL ± °		PRODUCT CUSTOMER DRAWING								
	4 PLACES ±		DOCUMENT NUMBER								
	3 PLACES ±		1064810100								
2 PLACES ±		DOC TYPE DOC PART REVISION									
1 PLACE ±		PSD 001 A									
0 PLACES ±		MATERIAL NUMBER CUSTOMER SHEET NUMBER									
DRAFT WHERE APPLICABLE MUST REMAIN WITHIN DIMENSIONS		THIRD ANGLE PROJECTION	DRAWING	SERIES	106481			1064810100		1 OF 1	

DOCUMENT STATUS	RQ	RELEASE DATE	
-----------------	----	--------------	--