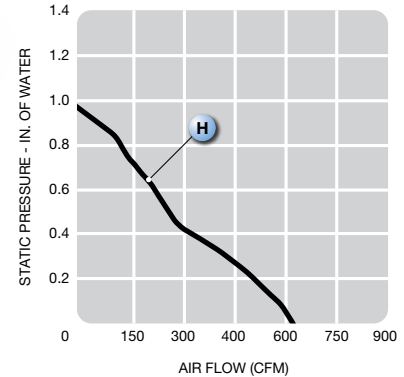
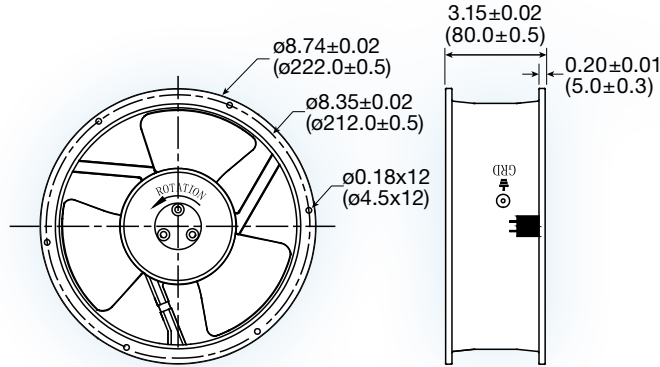
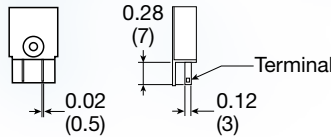


## MM2280 series\*

**(222 dia. x 80 mm)**

8.74 dia. x 3.15 inches



Construction: magnesium alloy impeller &amp; frame

Bearing option: ball bearing

Connection: terminal or AWG 18 lead wire

Frame: flanged

Protection: thermal

Options: tachometer output or locked rotor alarm signal

Model No.	Rated Voltage V	Current mA		Speed RPM	Air Volume		Max. Static Pressure (H <sub>2</sub> O)		Sound Noise dbA	Weight kg
		24	48		M <sup>3</sup> /Min.	CFM	MM	INCH		
<b>MM2280H</b>	24/48	2500	1400	3,000	18	625	24.64	0.97	60	1.55

\*Not to be used for new designs