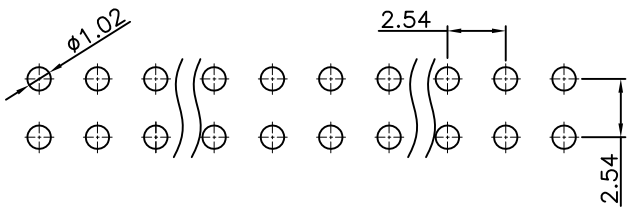
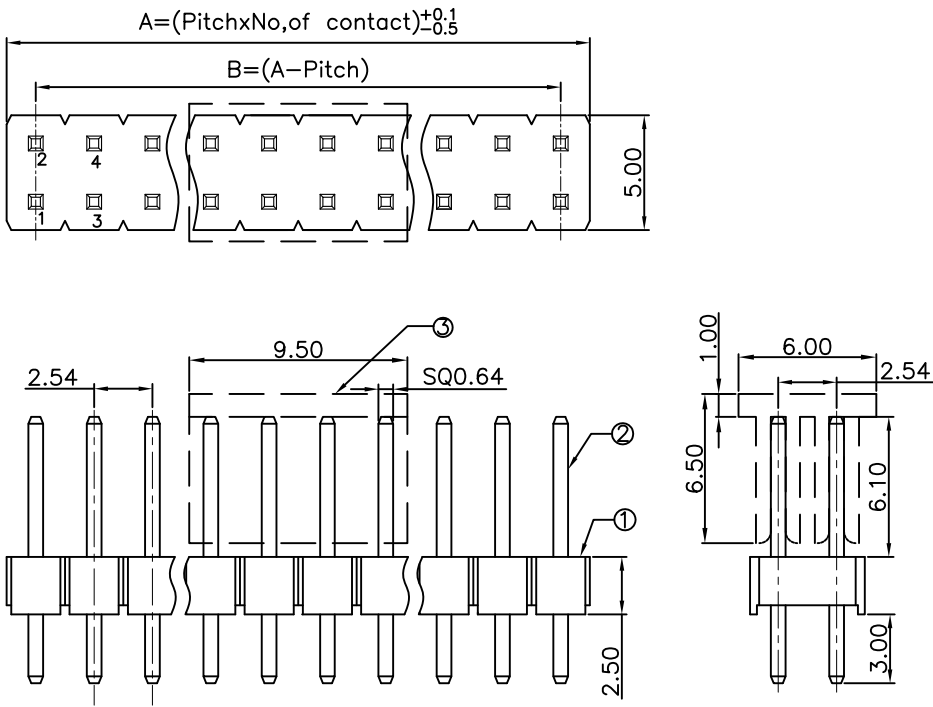


REV.	DESCRIPTION	DATE
A	New Drawing	2018/08/20

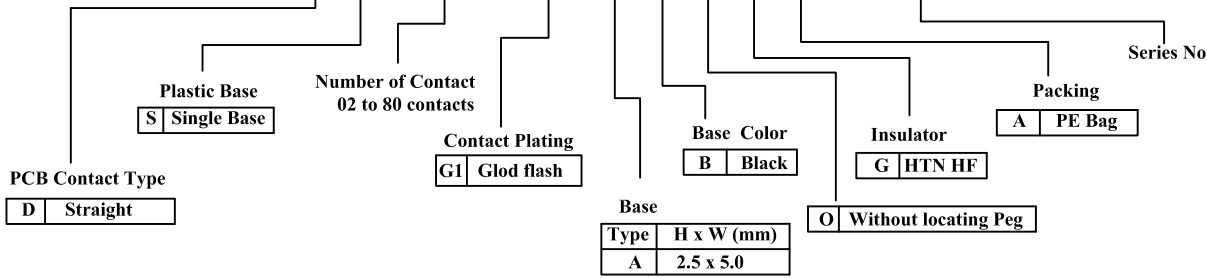
LTR	Part Name	Material	Description	QTY
1	Housing	HTN HF UL94V-0	260°C for 10 Seconds . Initial : 1000M Ohms Min. After Test : 500M Ohms Min.	1
2	Contact	Brass	Current Rating : 3.0A Initial : 20m Ohms Max. After Test : 40m Ohms Max.	XX
3	Cap	HTN HF UL94V-0	260°C for 10 Seconds .	1

Temperature Rating : -40°C ~ +125°C .  
Dielectric Withstanding Voltage : 1000V AC/Min



P.C.B LAYOUT

**P H E D - D S X X X G 1 A B O G A - A 0 0 6**



L=11.6 mm

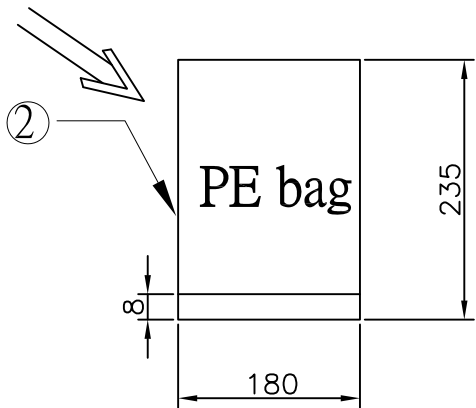
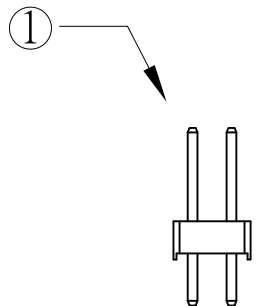
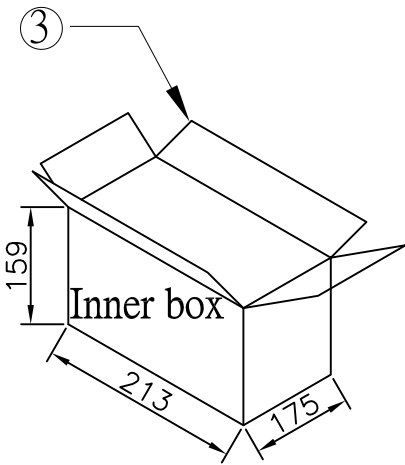
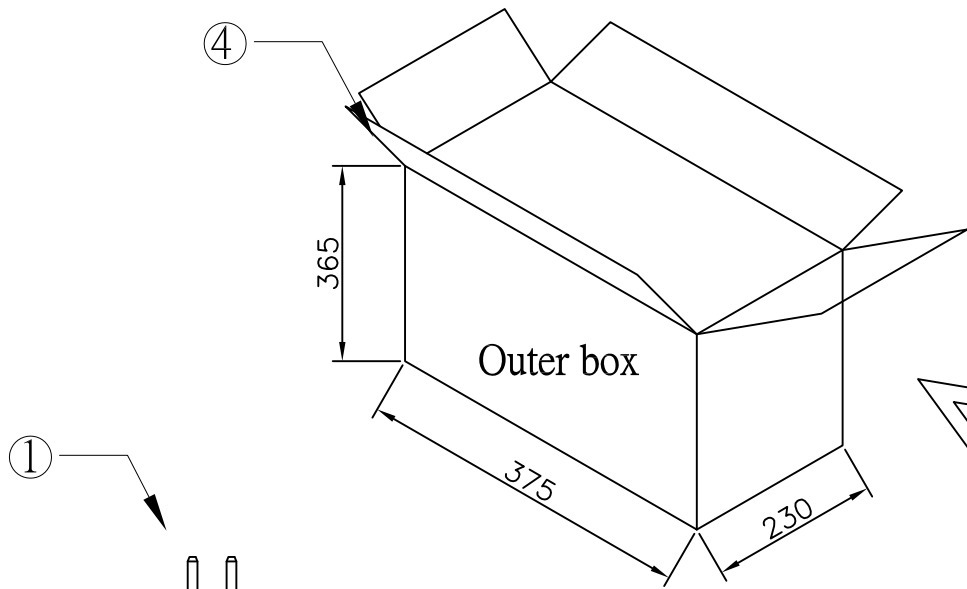
RoHS compliant

**Superior Tech Co., Ltd.**

General Tolerance	TITLE	Pitch 2.54x2.54mm Pin Header Straight Dual Rows ,HF	
X. ± 0.5	DRAWN	DATE	NO.
.X ± 0.3	Tom	08-20-18'	002
.XX ± 0.2	CHECK	DATE	PART NO.
.XXX ± 0.1	APPROVED	DATE	PHED-DSXXXG1ABOGA-A006
Angle ± 5°			CUSTOMER NO.
			DK

REV.	UNIT	SCALE	
A	mm	1:1	

REV.	DESCRIPTION	DATE
A	New Drawing	2022/05/26



RoHS compliant

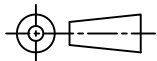
Note: The quantity is estimated, please refer to actual shipment.

④	Outer box	<b>B-ZX-W-010-F001</b>	<b>1 PCS</b>	<b>20k PCS</b>
③	Inner box	<b>B-ZX-R-001-F001</b>	<b>4 PCS</b>	<b>5000 PCS</b>
②	PE bag	<b>B-PD-S-002-F001</b>	<b>20 PCS</b>	<b>1000 PCS</b>
①	Product	<b>PH2.54 2*XPIN</b>	—	—
Serial number	Name	Specifications	Dosage of cladding material	Quantity installed

**Superior Tech Co., Ltd.**

General Tolerance		TITLE	PHED-DSXXXG1ABOGA-A006_Packing	
X. ± 0.5		DRAWN	DATE	NO.
.X ± 0.3		Tom	2022/05/26	002
.XX ± 0.2		CHECK	DATE	PART NO.
.XXX ± 0.1				PHED-DSXXXG1ABOGA-A006
Angle ± 5°		APPROVED	DATE	CUSTOMER NO.
				DK

REV.	UNIT	SCALE
A	mm	1:10



(Q2-R03-01A) ST-R05-07