

281812-1 ✓ ACTIVE

AMP | Timer Connector System

TE Internal #: 281812-1

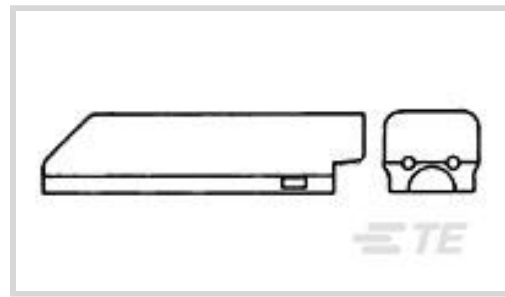
Automotive Connector Caps & Covers, Cover, Cable Exit Angle

90°, Black, PA GF, Timer Connector System

[View on TE.com >](#)



Connectors > Automotive Connectors > Automotive Connector Accessories > Automotive Connector Caps & Covers



Protection & Strain Relief Accessory Type: **Cover**

Cable Exit Angle: **90°**

Strain Relief: **Without**

Primary Product Color: **Black**

Primary Product Material: **PA GF**

Features

Product Type Features

Protection & Strain Relief Accessory Type	Cover
---	-------

Body Features

Cable Exit Angle	90°
Primary Product Color	Black
Primary Product Material	PA GF

Mechanical Attachment

Strain Relief	Without
---------------	---------

Dimensions

Compatible Cable Bundle Diameter Range	13 mm [.512 in]
--	-----------------

Industry Standards

UL Flammability Rating	UL 94HB
------------------------	---------

Packaging Features

Packaging Method	Box
------------------	-----

Other

Serviceable	Yes
-------------	-----

Product Compliance

[For compliance documentation, visit the product page on TE.com>](#)

EU RoHS Directive 2011/65/EU	Compliant
EU ELV Directive 2000/53/EC	Compliant
China RoHS 2 Directive MIIT Order No 32, 2016	No Restricted Materials Above Threshold
EU REACH Regulation (EC) No. 1907/2006	Current ECHA Candidate List: JUNE 2023 (235) Candidate List Declared Against: JAN 2023 (233) Does not contain REACH SVHC
Halogen Content	Low Halogen - Br, Cl, F, I < 900 ppm per homogenous material. Also BFR/CFR/PVC Free
Solder Process Capability	Not applicable for solder process capability

Product Compliance Disclaimer

This information is provided based on reasonable inquiry of our suppliers and represents our current actual knowledge based on the information they provided. This information is subject to change. The part numbers that TE has identified as EU RoHS compliant have a maximum concentration of 0.1% by weight in homogenous materials for lead, hexavalent chromium, mercury, PBB, PBDE, DBP, BBP, DEHP, DIBP, and 0.01% for cadmium, or qualify for an exemption to these limits as defined in the Annexes of Directive 2011/65/EU (RoHS2). Finished electrical and electronic equipment products will be CE marked as required by Directive 2011/65/EU. Components may not be CE marked. Additionally, the part numbers that TE has identified as EU ELV compliant have a maximum concentration of 0.1% by weight in homogenous materials for lead, hexavalent chromium, and mercury, and 0.01% for cadmium, or qualify for an exemption to these limits as defined in the Annexes of Directive 2000/53/EC (ELV). Regarding the REACH Regulation, the information TE provides on SVHC in articles for this part number is based on the latest European Chemicals Agency (ECHA) 'Guidance on requirements for substances in articles' posted at this URL: <https://echa.europa.eu/guidance-documents/guidance-on-reach>

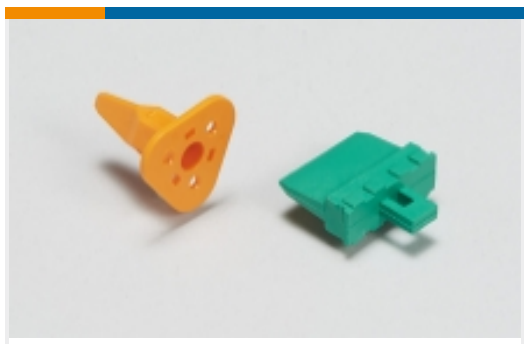
Compatible Parts



Also in the Series | [Timer Connector System](#)



Automotive Connector Caps & Covers (12)



Automotive Connector Locks & Position Assurance(17)



Automotive Housings(237)



Automotive Terminals(145)



Connector Seals & Cavity Plugs(32)



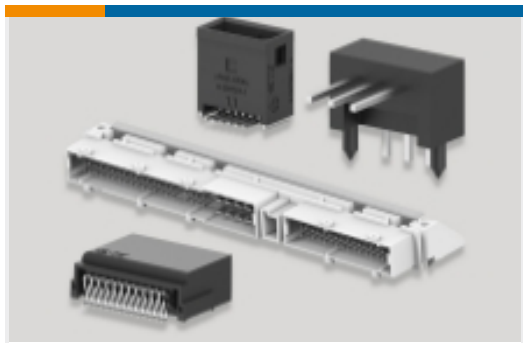
Crimp Terminal Housings(13)



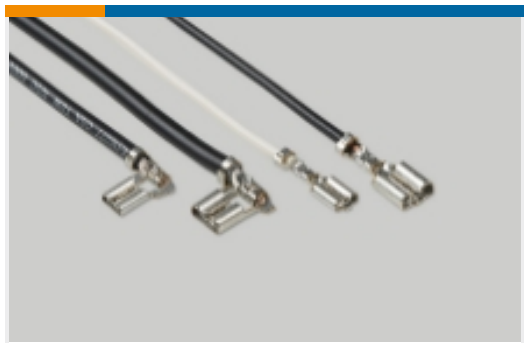
Insertion & Extraction Tools(19)



Other Automotive Connector Accessories(1)



PCB Headers & Receptacles(82)

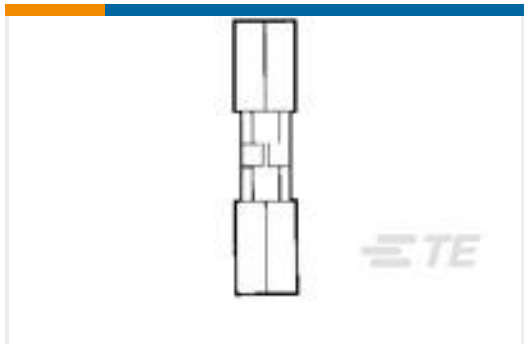


Quick Disconnects(4)

Customers Also Bought



TE Part #2292802-1
AMPSEAL 16 Connectors Backshell



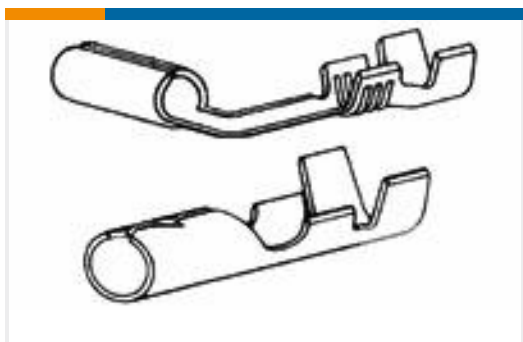
TE Part #2-321801-3
SOLIS BUTT 22-16 COMM 22-18MIL



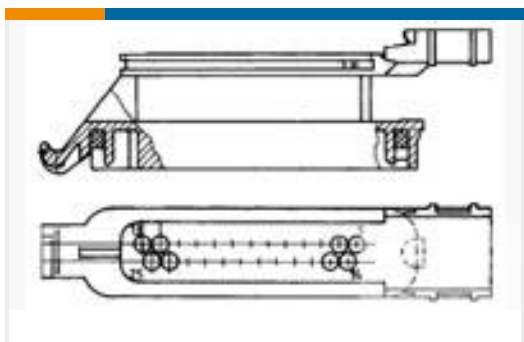
TE Part #180430-2
250 FASTON, FLAG, REC., 20-16 AWG, TPBR



TE Part #61863-2
RING CRIMP 18-14 AWG TPBR



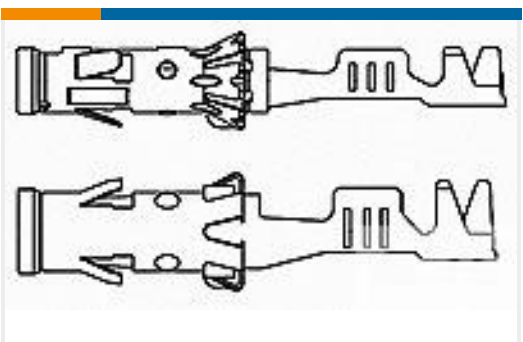
TE Part #60017-3
RIGHT ANGLE SHUR PLUG REC 20-16 0.41 BR



TE Part #281810-1
JUNIOR TIMER WIRE SEAL CO



TE Part #929939-1
JPT REC 2.8 Contact SWS Sn



TE Part #1-929974-4
2,5MM SWS REC.CONT.



Documents

Product Drawings

[COVER FOR 25W. SPLASH PROOF CO](#)

English

CAD Files

Customer View Model

[ENG_CVM_281812-1_5.3d_igs.zip](#)

English

Customer View Model

[ENG_CVM_281812-1_5.3d_stp.zip](#)

English

Customer View Model

[ENG_CVM_281812-1_5.2d_dxf.zip](#)

English

3D PDF

English

By downloading the CAD file I accept and agree to the [Terms and Conditions](#) of use.

Product Specifications

[Product Specification](#)

English

[2-7-15 WAY SPLASE-PROOF CONNECTORS](#)

English