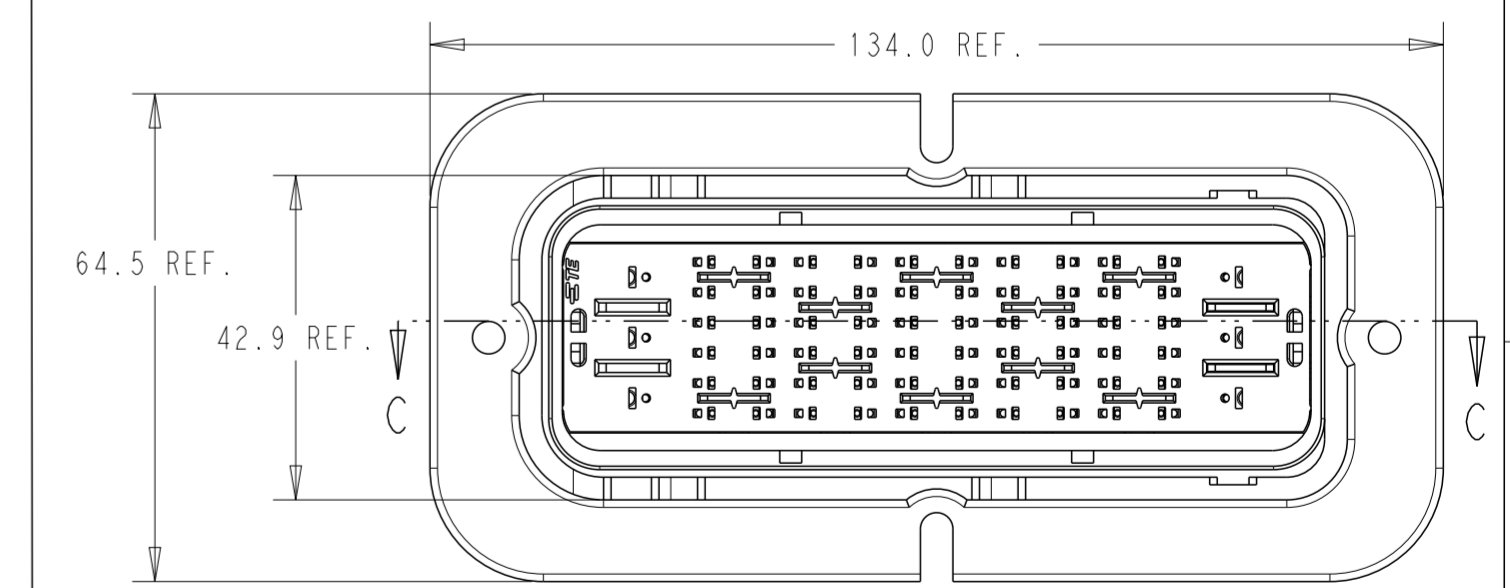
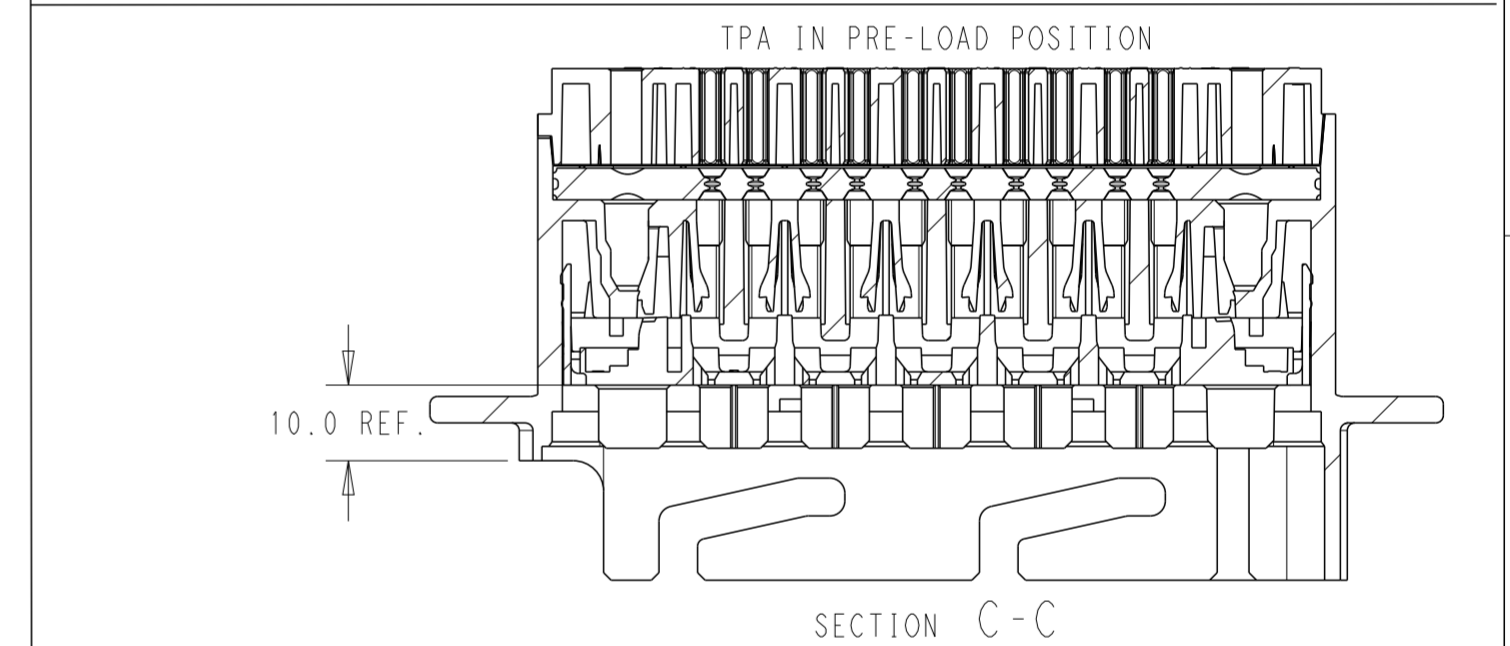
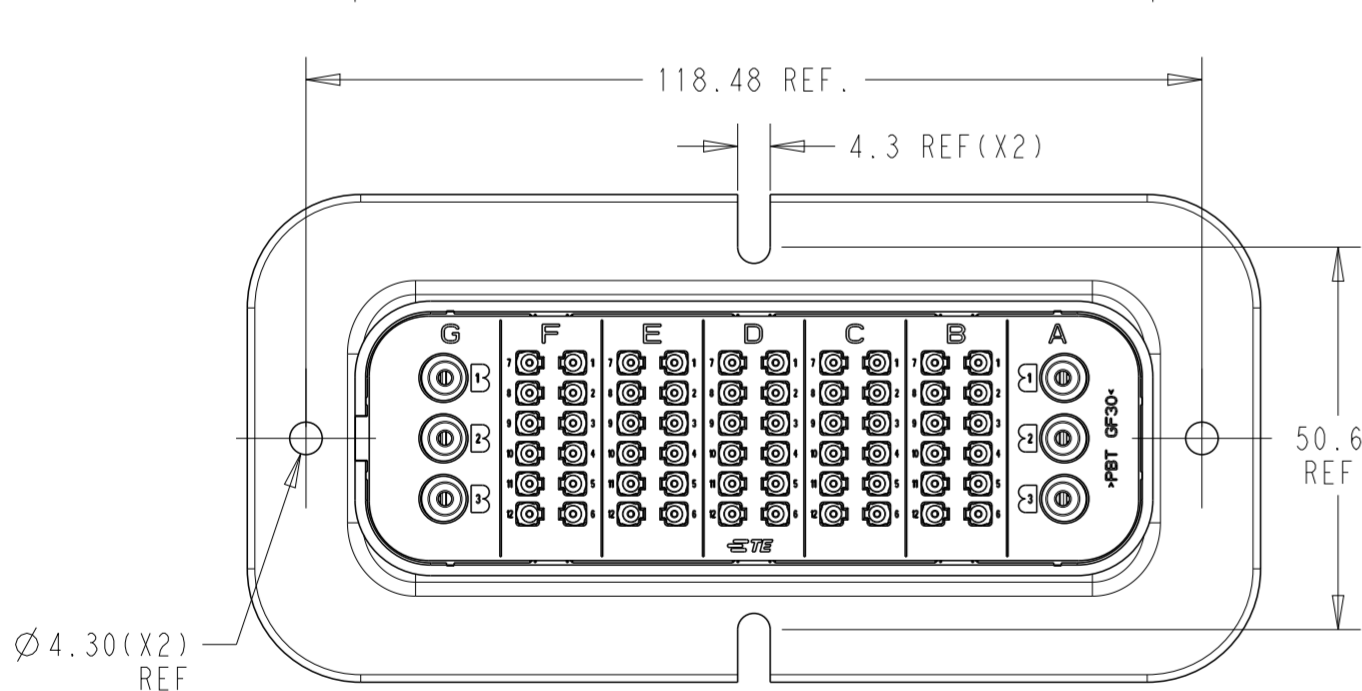
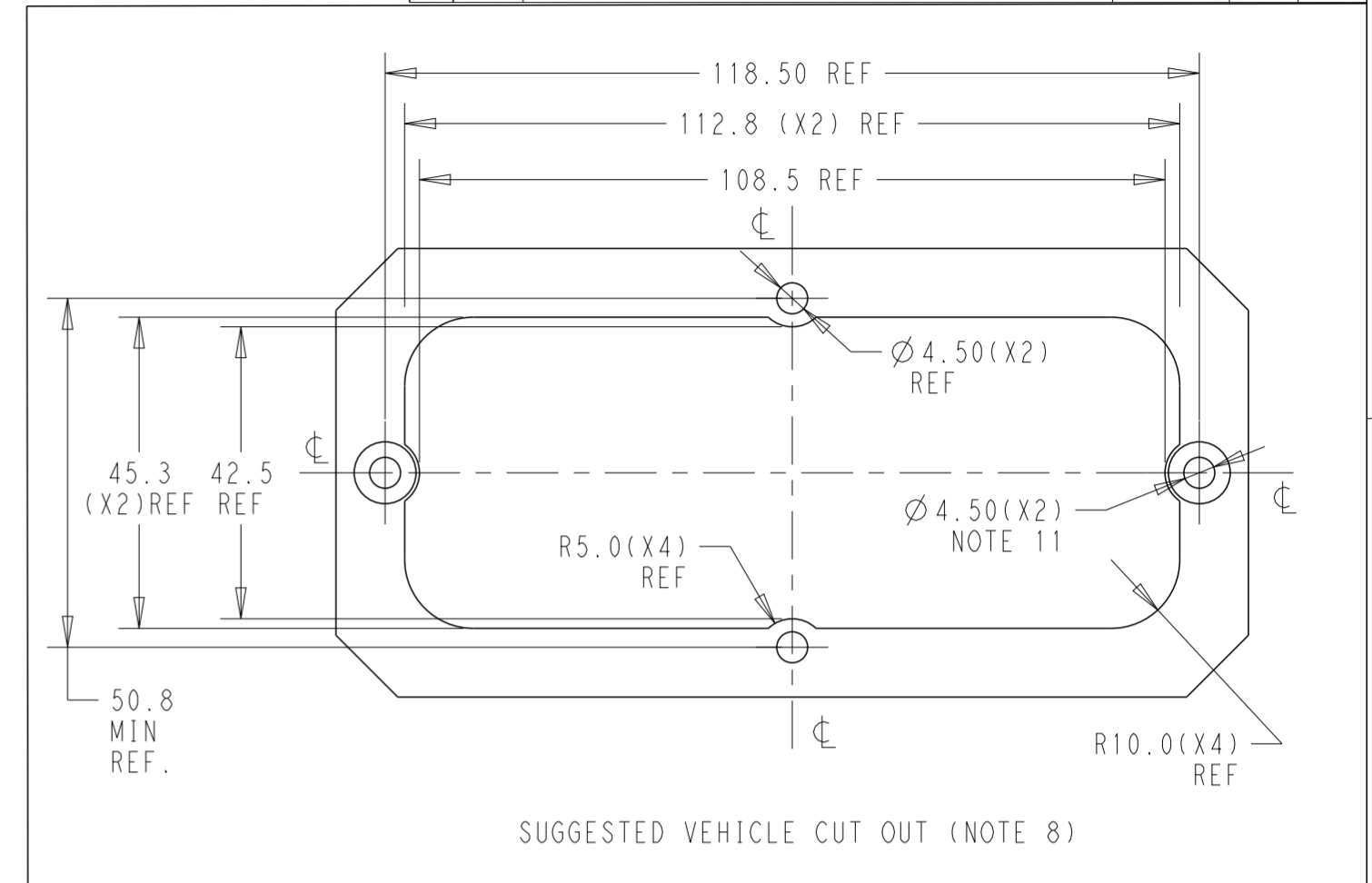
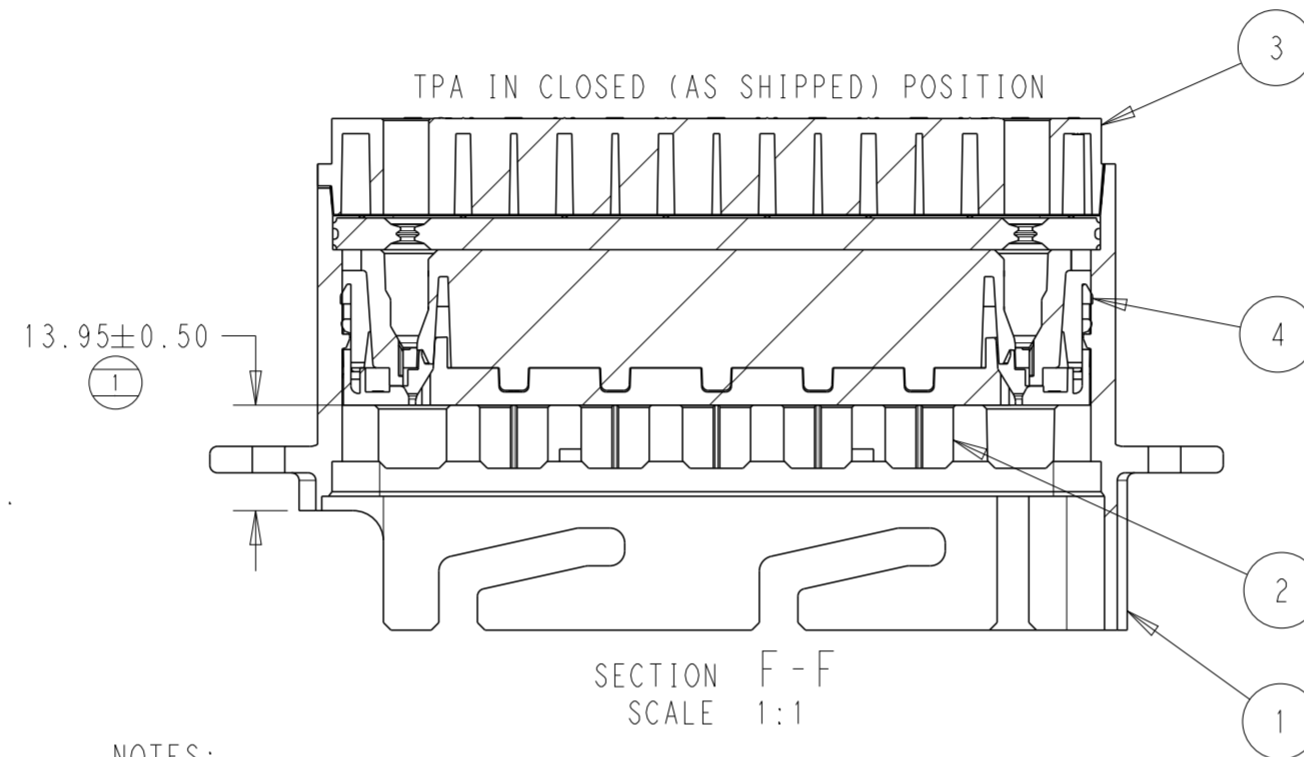
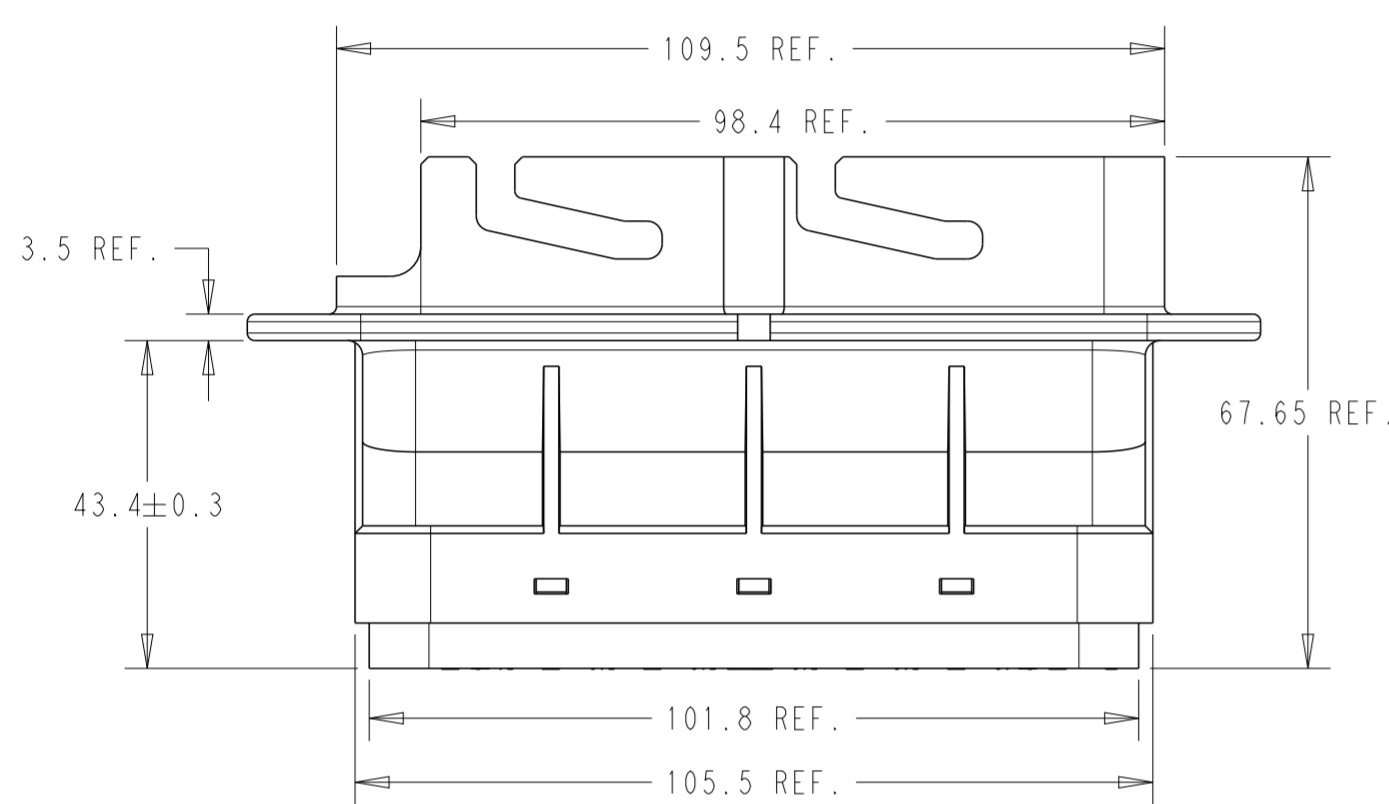
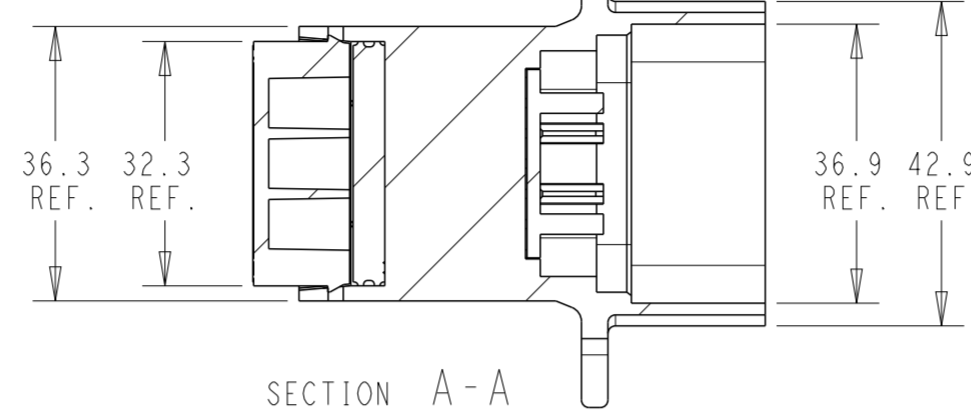
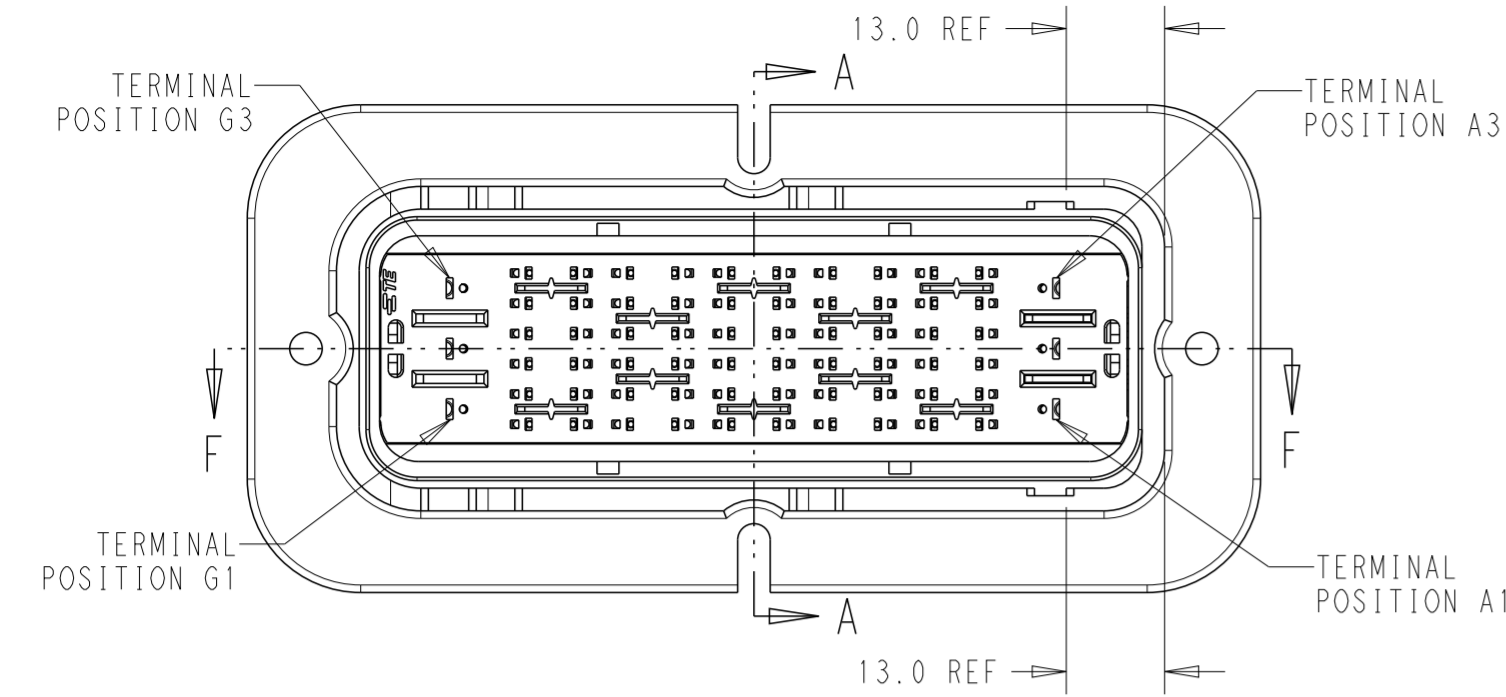


SRC POWER 60+6AG MAIN HOUSING BLACK

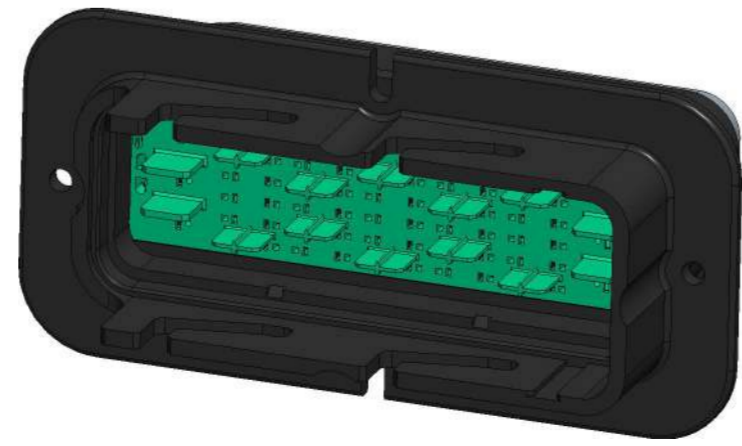
REVISIONS					
P	LTR	DESCRIPTION	DATE	DWN	APVD
A2		ECO-20-009048	15JUL2020	MHS	MT
B		PCN-21-123224	23DEC2021	DRK	AW



- NOTES:
- MATERIALS:
HOUSINGS: POLYESTER (PBT), GLASS FILLED, UL 94 HB
SEAL: SILICONE RUBBER
 - VARIATION OF SHADE WITHIN OR BETWEEN BATCHES, OR DISCOLORATION IS ACCEPTABLE
 - MX150 BLADE TERMINALS TO BE USED WITH THESE ASSEMBLIES IN CAVITIES B,C,D,E, AND F, CRIMPED WITH CABLE INSULATION OUTER DIAMETER IN THE RANGE 1.5mm TO 2.7mm
 - MX150L BLADE TERMINALS TO BE USED WITH THESE ASSEMBLIES IN CAVITIES A AND G, CRIMPED WITH CABLE INSULATION OUTER DIAMETER IN THE RANGE 3.0mm TO 5.0mm
 - PACKAGING SPECIFICATION: TEC-107-160003-02
 - THIS SHEET: 2500021-1 (OLD PN 937926006) (60+6AG) OPTION MATES WITH SRC2 POWER RECEPTACLE HOUSING ASSEMBLY (BLACK) PN 2500005-1 (OLD PN 850840700)
 - FLANGE GASKET OPTION: REFER TO 2500032-1
 - SUGGESTED DIMENSIONS FOR FLAT PLATE. CUSTOMER SHOULD VERIFY FIT IN THEIR OWN APPLICATION. ALL DIMENSIONS SYMMETRIC ABOUT CENTERLINES.
 - CLEARANCE FOR M4 COUNTERSUNK HEADS RECOMMENDED IN THESE HOLES.
 - PRESENCE OF TE LOGO OPTIONAL ON REAR COVER, FRONT COVER & HOUSING.

ACCEPTABLE CABLE INSULATION Ø RANGES (mm) - NOTE 3 & 4						
CAVITY SET						
G	F	E	D	C	B	A
3.0 - 5.0	1.5 - 2.7	1.5 - 2.7	1.5 - 2.7	1.5 - 2.7	1.5 - 2.7	3.0 - 5.0

No.	DESCRIPTION	QTY.	COLOR
4	MALE BACK SEAL	1	RUSTED RED
3	MALE REAR COVER	1	BLACK
2	MALE FRONT COVER(TPA)	1	GREEN
1	MALE HOUSING	1	BLACK
BILL OF MATERIAL			



THIS DRAWING IS A CONTROLLED DOCUMENT.

DIMENSIONS: mm	TOLERANCES UNLESS OTHERWISE SPECIFIED: 0 PLC ±0.5 1 PLC ±0.2 2 PLC ±0.2 3 PLC ± 4 PLC ± ANGLES ± FINISH	DWN: MANO HAR H S 15JUL2020 CHK: M TRULL 15JUL2020 APVD: M TRULL 15JUL2020 PRODUCT SPEC: TEC-108-160018 APPLICATION SPEC: TEC-114-160015 WEIGHT: -	NAME: SRC POWER 60+6AG MALE BLADE HSG ASSY SIZE: A2 CAGE CODE: 00779 DRAWING NO: C-2500021 RESTRICTED TO: -
MATERIAL: -	-	CUSTOMER DRAWING	SCALE: 5:1 SHEET 1 OF 1 REV B

937926006 2500021-1
OLD P/N PART NO

TE Connectivity