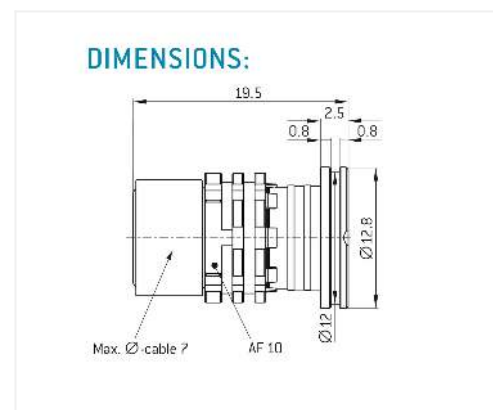
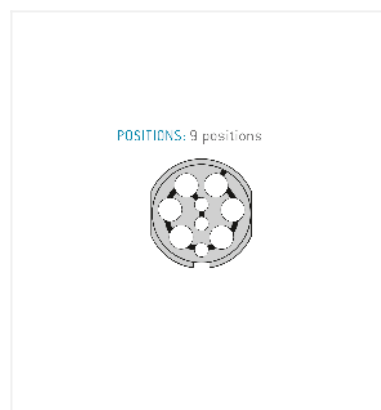
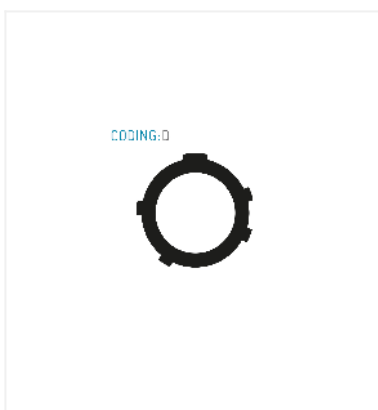


## General information

Part number	K10WDM-P09WMM0-0000
Termination	solder
Size	0
Locking principle	break
Coding	d_key_amc
Cable Diameter	cable_amchd_0
Cable outlet	overmolding



## Contact insert description

Number of contacts	9
Contact type	sockets
Contact diameter	3_03_6_07mm
Insulator material	peek
Wire cross section	22_awg_28_awg
Termination	solder
Data transmission	usb_2_power

reverse\_gender\_on\_request

## Connection diagram

con\_usb\_2\_power

## Technical information

Nominal current single contact	1_5_a	iec_60512_5_2
Test voltage	075_kv_dc	eia_364_20f

safety\_text

## Mechanical and environmental data

Degree of protection*	ip6k9k
Operating temperature	51_125_c
Mating cycles	5000

mated

## Material and surface treatments

Housing	ruthenium
Contact	cu_alloy_gold

data\_text

safety\_text\_2

data\_text

ul\_text

illustrative\_text