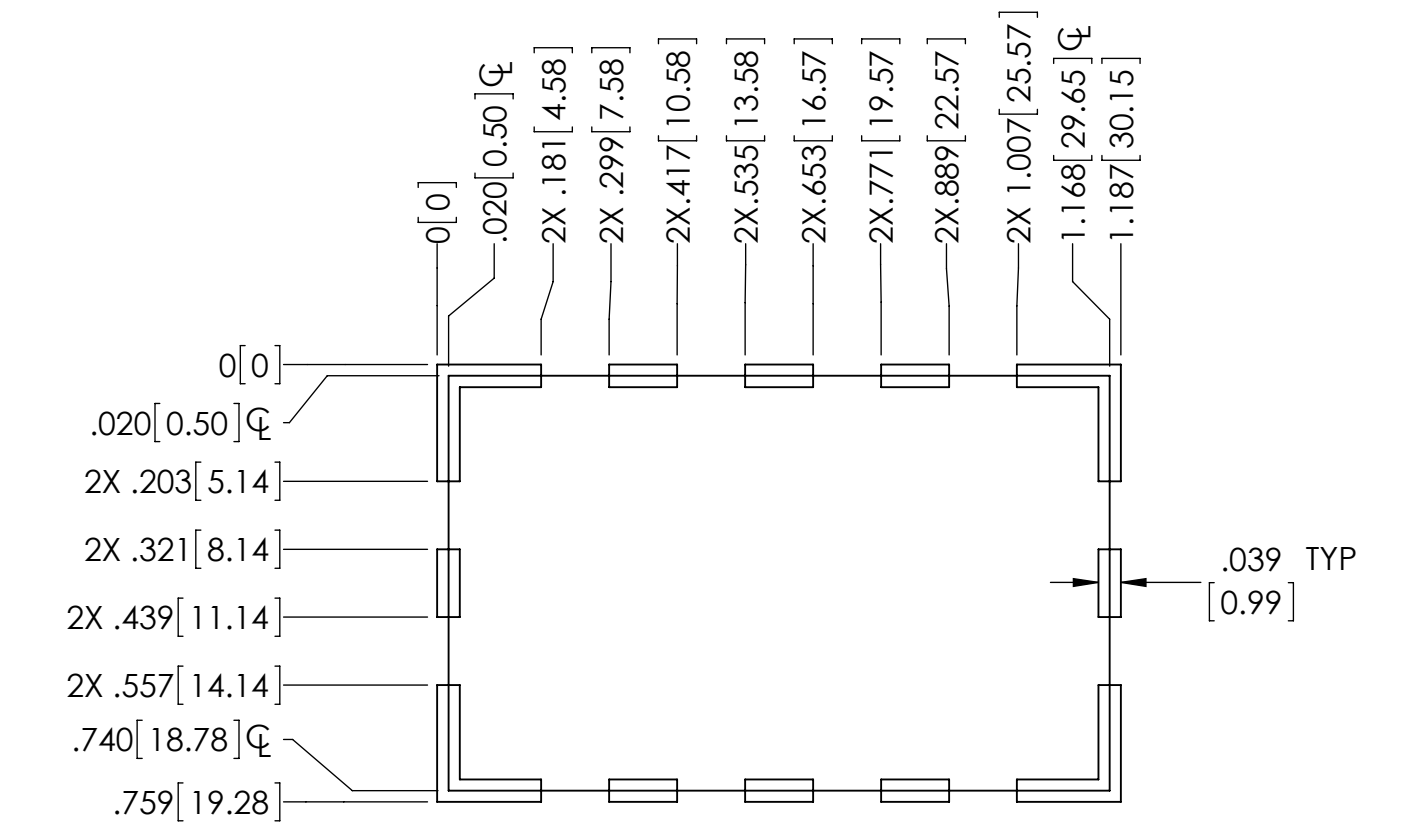
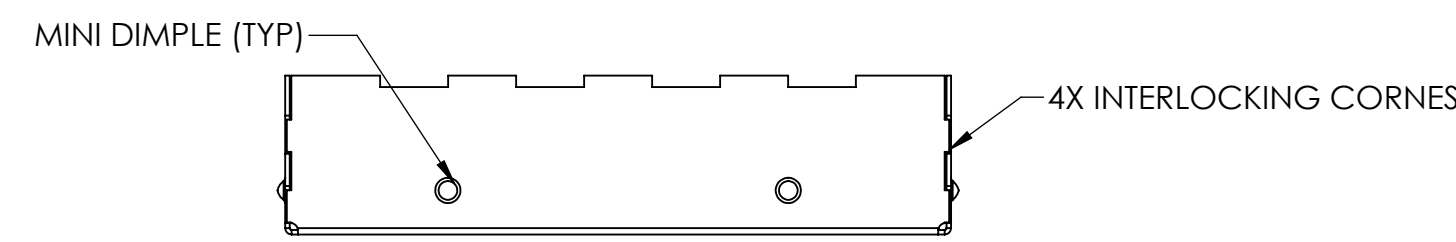
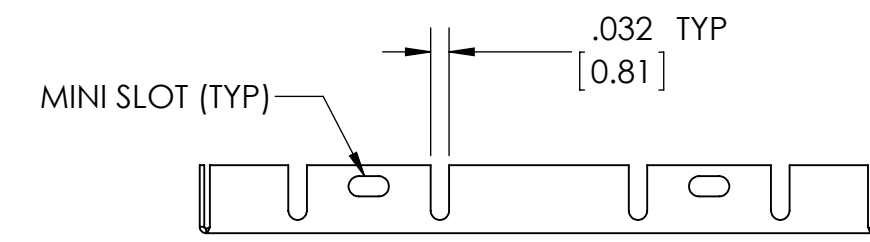
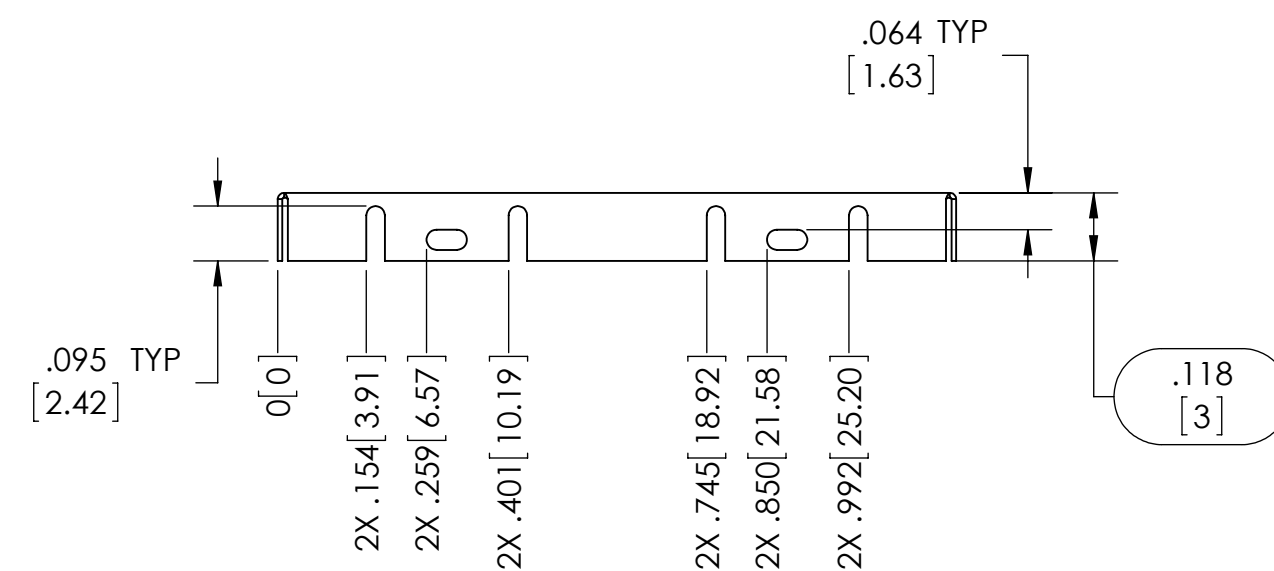
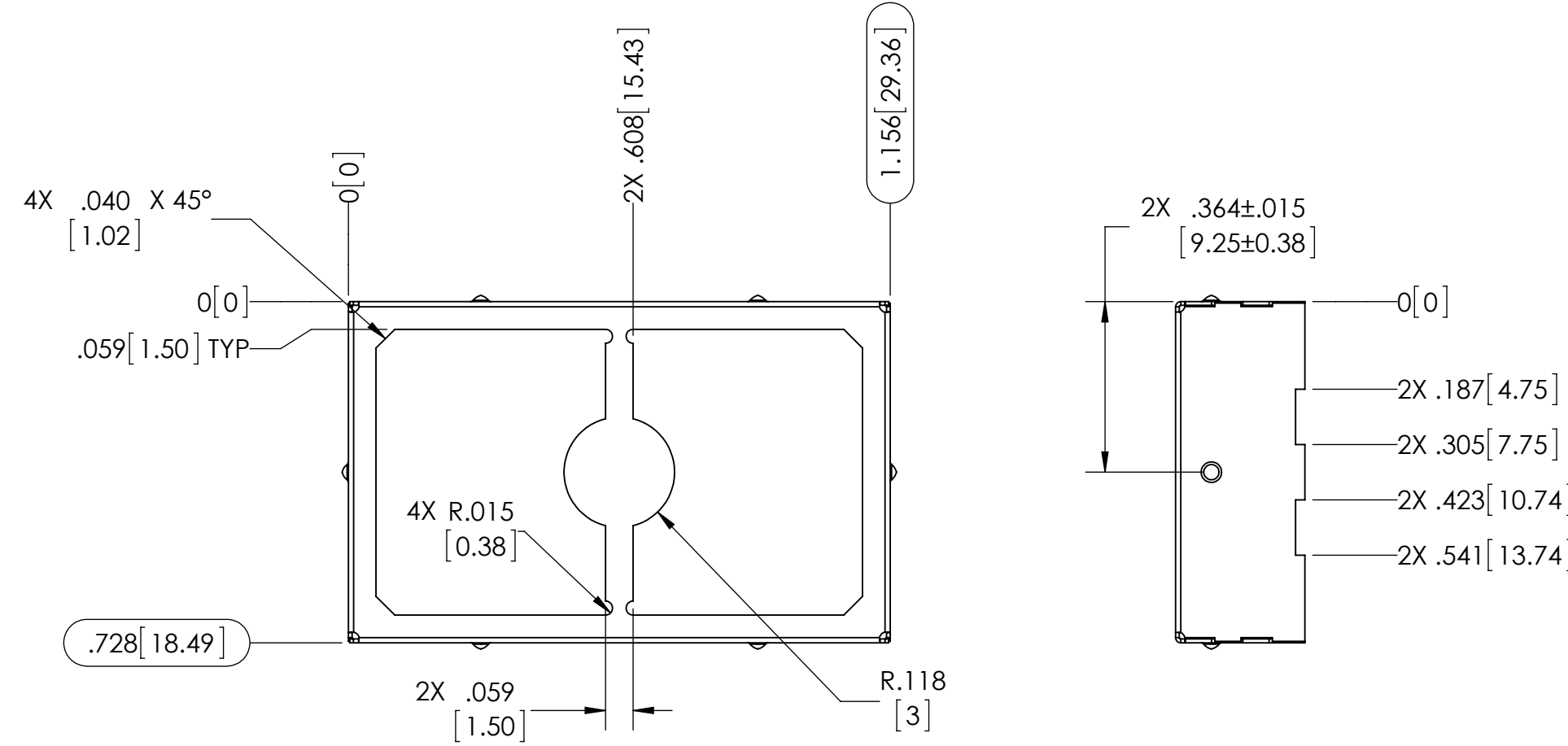
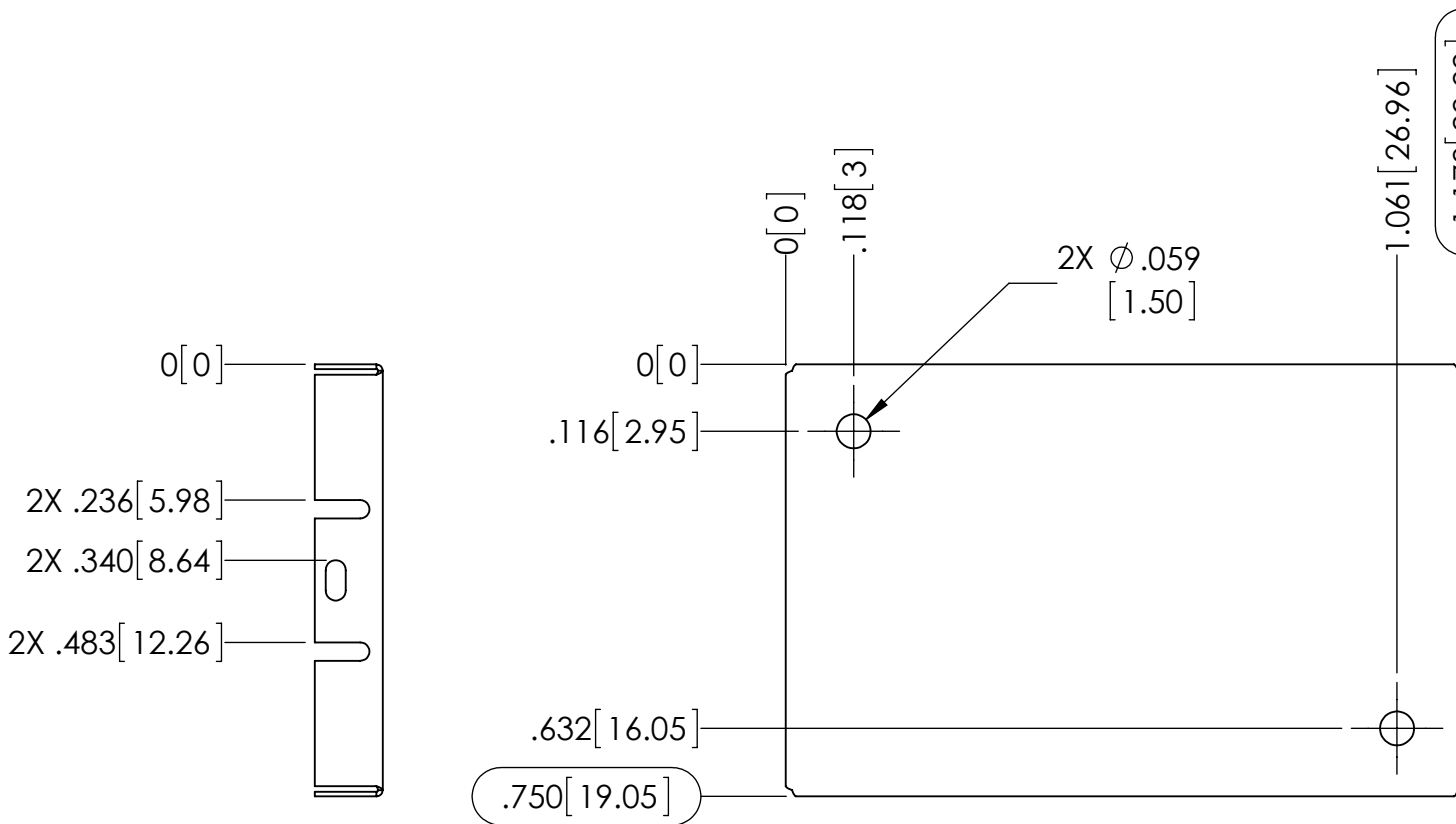


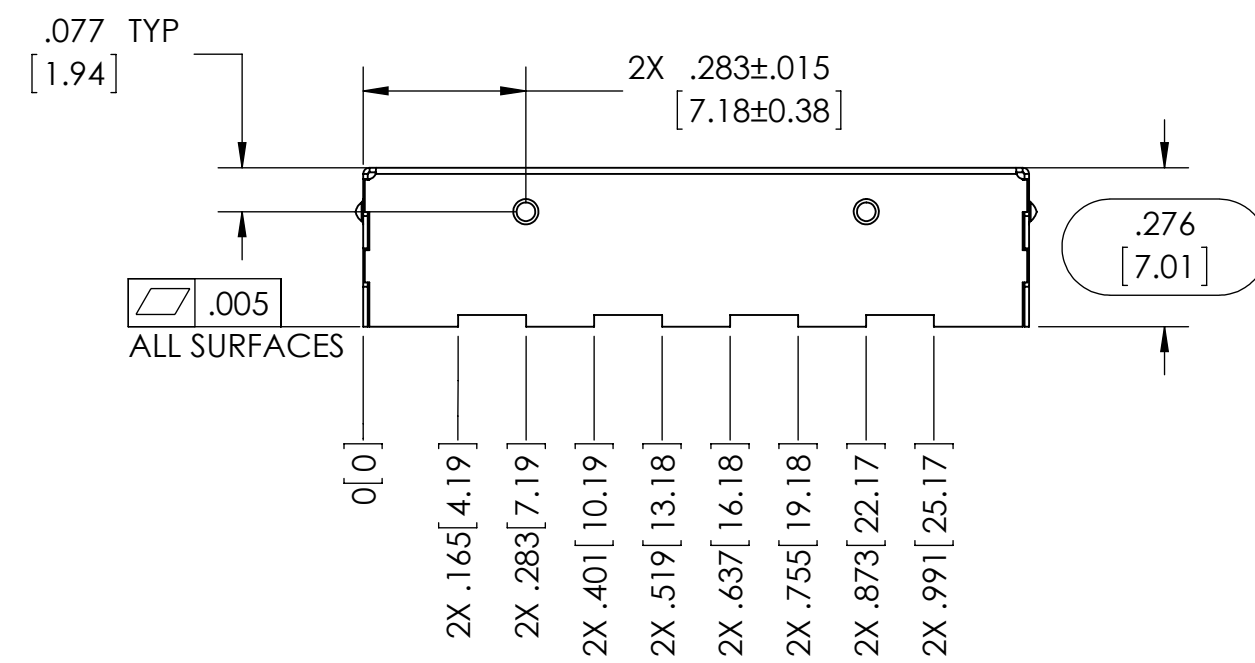
- NOTES:  
 1. ASSURE ASSEMBLY CAPABILITY BY MATCHING WITH MATING PART  
 2. DIMENSIONS IN BRACKETS ARE IN MILLIMETERS



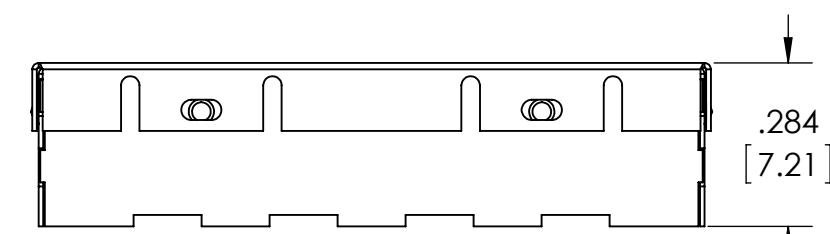
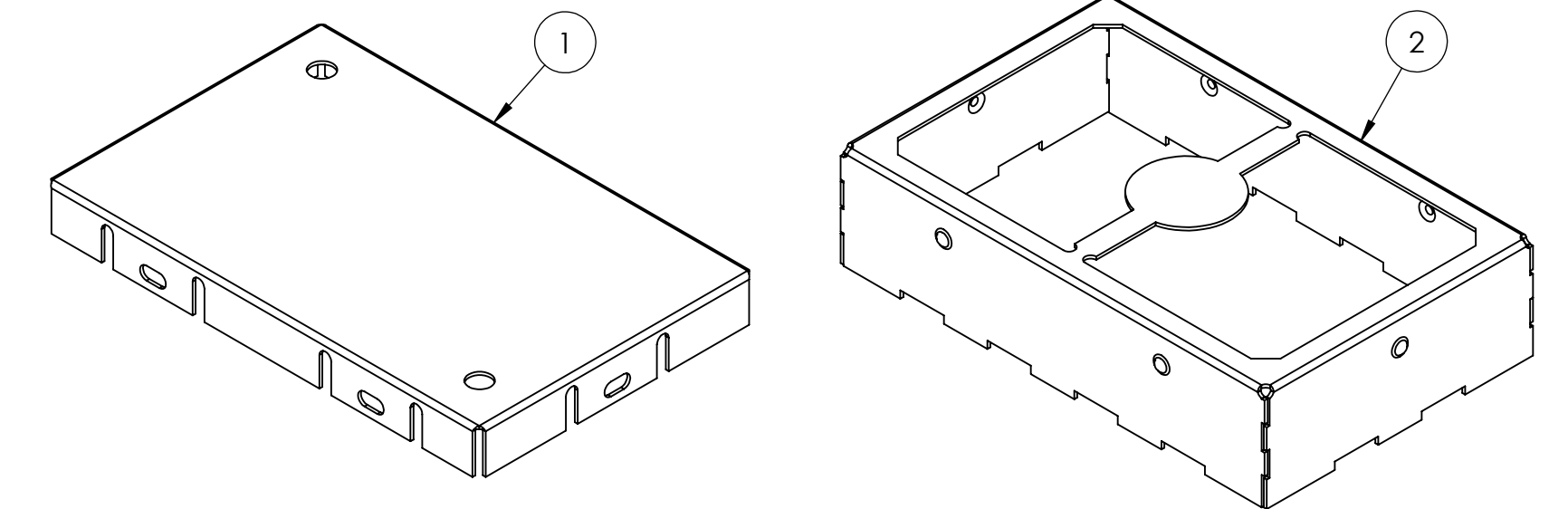
TRACE PATTERN



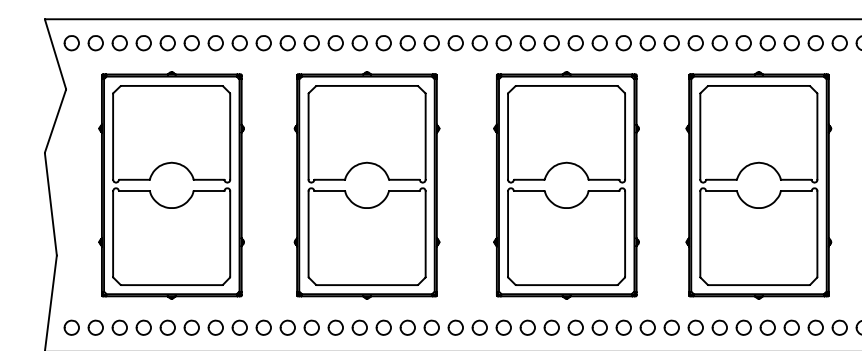
FORMED COVER



FORMED FRAME



ASSEMBLY



CARRIER TAPE

CARRIER TAPE SPECIFICATIONS						
PART NUMBER	DESCRIPTION	OVERALL DIMENSIONS	OVERALL HEIGHT	CARRIER TAPE WIDTH	CARRIER TAPE PITCH	PARTS PER REEL
SMS-409F	FRAME	1.156 X 0.728 (29.36 X 18.49)	.276 (7.01)	44 mm	28 mm	400
SMS-409C	COVER	1.178 X 0.750 (29.92 X 19.05)	.079 (2.01)	N/A	N/A	BULK PACK

THIS DOCUMENT CONTAINS PROPRIETARY INFORMATION OWNED BY LEADTECH OR DEVELOPED AT ITS OWN PRIVATE EXPENSE AND MAY NOT BE USED, REPRODUCED OR DISCLOSED IN WHOLE OR IN PART FOR ANY PURPOSE INCLUDING DESIGN, MANUFACTURE OR PROCUREMENT WITHOUT THE WRITTEN PERMISSION OF LEADTECH. LEADTECH DOES NOT GUARANTEE OR WARRANT THE PERFORMANCE CHARACTERISTICS.

ITEM NO.	PART NUMBER	DESCRIPTION	QTY.
1	SMS-409C	COVER	1
2	SMS-409F	FRAME	1

UNLESS OTHERWISE SPECIFIED:  
 - ALL DIMENSIONS ARE IN INCHES  
 - PART SHALL BE FREE OF BURRS AND SHARP EDGES  
 - ALL DIMENSIONS SHOWN APPLY AFTER PLATING AND COATINGS  
 - ROHS COMPLIANT PER EU DIRECTIVE 2011/65/EU  
 - POI = POINT OF INTERSECTION

THIRD ANGLE PROJECTION

LEADER TECH  
 a HEICO company  
 The Leading Edge in PAM Manufacturing Technology

TITLE: SURFACE MOUNT SHIELD

DRAWN BY: SDH  
 APPROVED BY: Nick Demyanovich  
 2015.11.23 13:51:12 -0500

FRIG: SDH  
 MATERIAL: MATTE  
 0.008[0.20] PRE TIN STEEL

SIZE: D  
 DWG. NO.: SMS-409  
 SCALE: 3:1  
 CAGE CODE: 4J674  
 SHEET: 1 OF 1