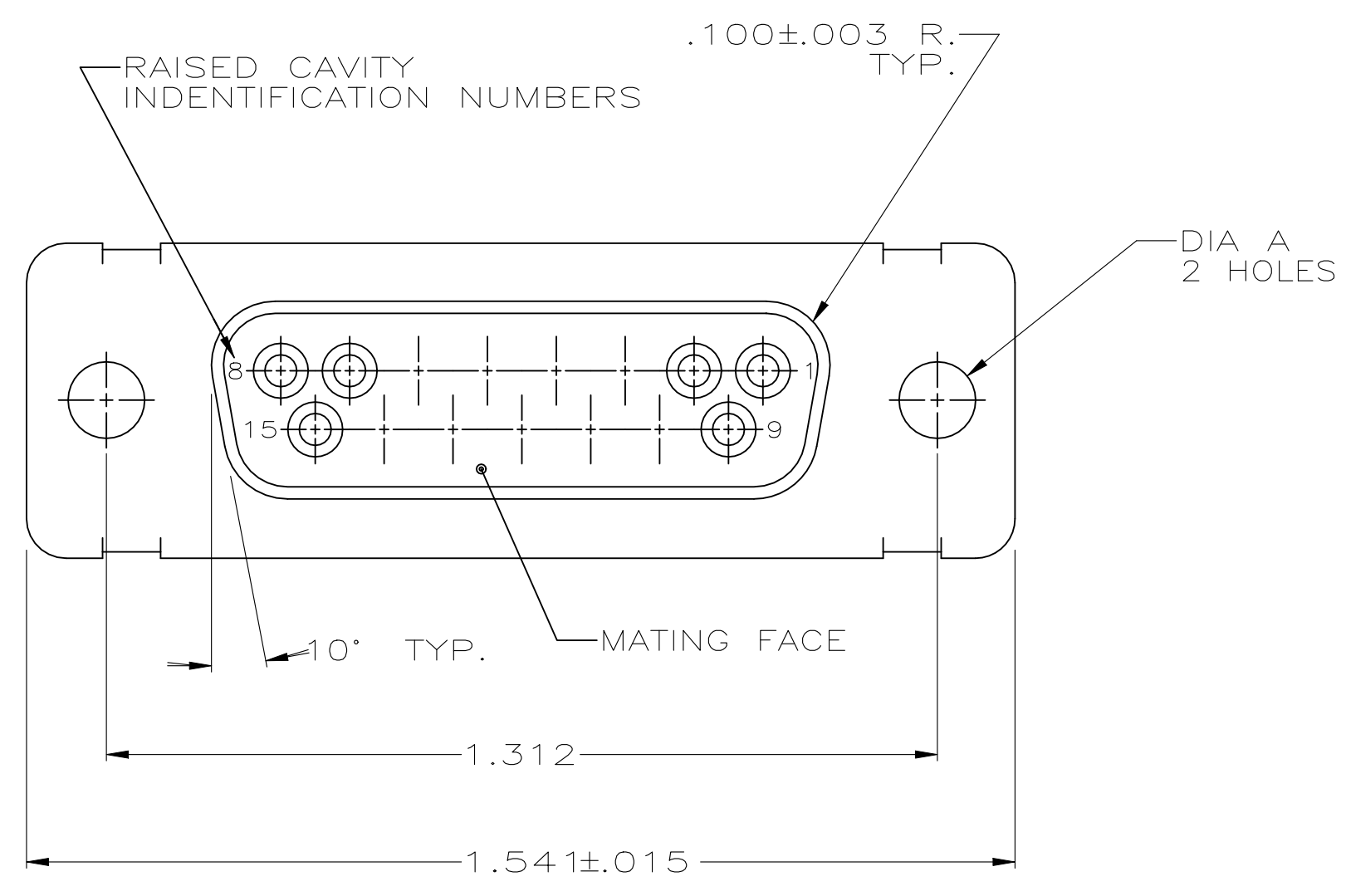
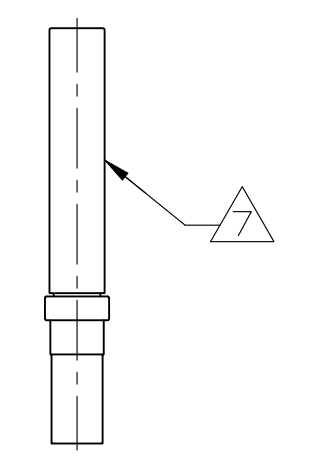
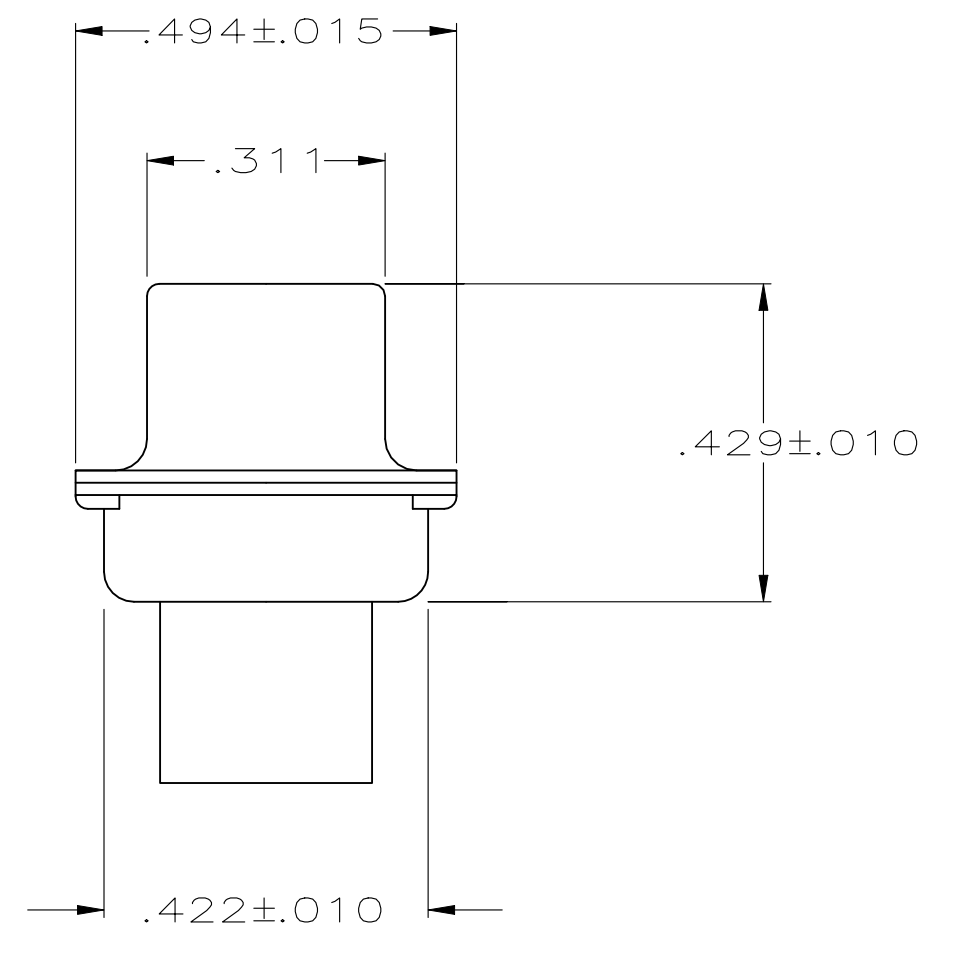
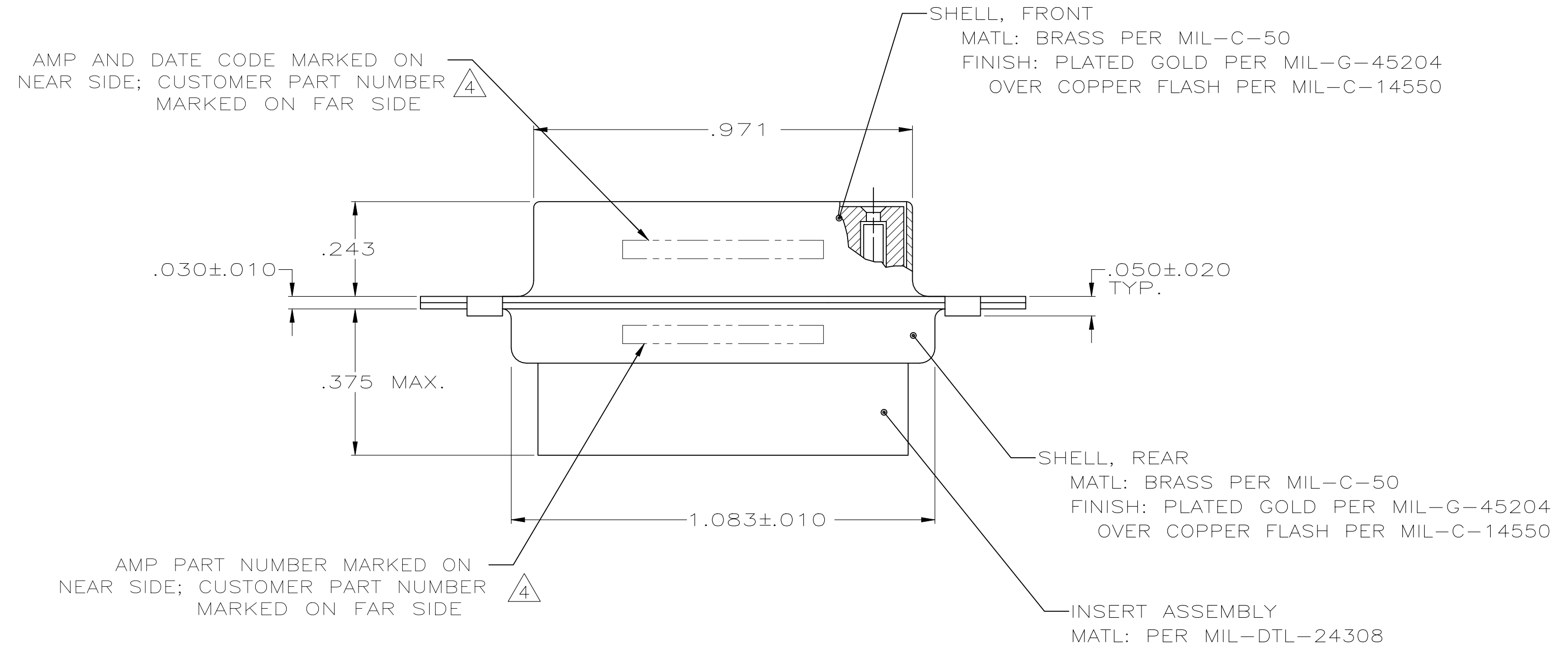


REVISIONS					
P	LTR	DESCRIPTION	DATE	DMN	APVD
S		REV PER ECO-21-003398	26OCT2021	JAB	DM



- 1 THIS RECEPTACLE WILL MATE WITH ANY PLUG CONNECTOR WITH THE SAME INSERT ARRANGEMENT AS DEFINED BY MS18274-1.
2. MAXIMUM WIRE INSULATION USED WITH THIS RCPT. IS .072 DIA. MAX.
3. Be-Cu RETENTION CLIPS ARE INCLUDED IN INSERTS.
- 4 CUSTOMER PART NUMBER MAY BE SPLIT BETWEEN FRONT AND REAR SHELLS, SAME SIDE. FAR SIDE REFERS TO WIDE SIDE OF KEYSTONE, NEAR SIDE REFERS TO NARROW SIDE OF KEYSTONE.
- 5 THESE CONNECTORS ARE QUALIFIED TO GODDARD SPACE FLIGHT CENTER SPECIFICATION S-311-P-4.
- 6 RESTRICTED TO CAE ELECTRONICS ONLY.
- 7 CONNECTOR SUPPLIED WITH CONTACTS, AMP PART NUMBER 206793-1; (NOT INSTALLED).



△	.120	570513-2	206799-7	206799-7
△	.120	LMSC 1621480-002	206799-6	206799-6
△	.120	LMSC 1621480-002	206799-5	206799-5
△/6	.120	311P409-2S-B-12	206799-2	206799-4
	.154		206799-3	206799-3
△	.120	311P409-2S-B-12	206799-2	206799-2
	.154	311P409-2S-B-15	206799-1	206799-1
REMARKS	DIA A	MARKED CUSTOMER P/N	MARKED AMP P/N	AMP P/N

JURISDICTION	EAR
CLASSIFICATION	EAR99
DATE OF MARKING	26OCT2021
THIS DOCUMENT CONTAINS CONTROLLED TECHNICAL DATA SUBJECT TO THE EXPORT ADMINISTRATION REGULATIONS (EAR). VIOLATIONS OF THESE EXPORT LAWS AND REGULATIONS ARE SUBJECT TO CIVIL AND CRIMINAL PENALTIES.	

THIS DRAWING IS A CONTROLLED DOCUMENT.

DIMENSIONS: INCHES	TOLERANCES UNLESS OTHERWISE SPECIFIED:	DIN	12-19-88
0. PLC ± -	1. PLC ± -	M. CLOUSER	12-19-88
2. PLC ± -	3. PLC ± .005	CHK	T. CANTLIN
4. PLC ± -	ANGLES ± -	APVD	T. CANTLIN
MATERIAL SEE CALLOUTS	FINISH SEE CALLOUTS	NAME	12-19-88
		PRODUCT SPEC	
		APPLICATION SPEC	
		SIZE	SIZE #2 (15 POS.) NON-MAGNETIC
		WEIGHT	0.000000
		CUSTOMER DRAWING	A1 00779 C=206799
		SCALE	4:1
		SHEET	1 of 1
		REV	S

STE TE Connectivity