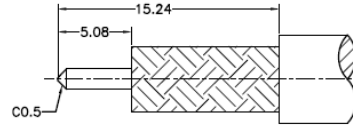


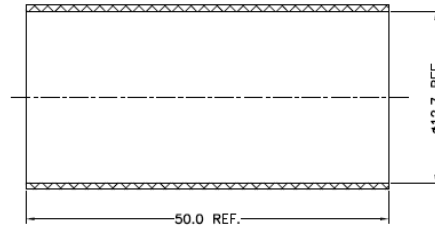
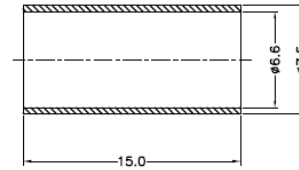
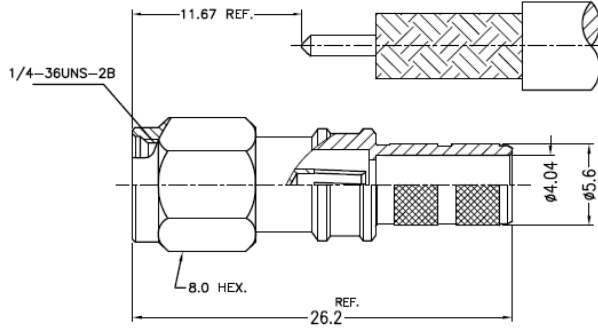
NOTICE OF PROPRIETARY RIGHTS THIS DOCUMENT CONTAINS CONFIDENTIAL TECHNICAL DATA, INCLUDING TRADE SECRETS, PROPRIETARY TO TIMES MICROWAVE SYSTEMS. DISCLOSURE OF THIS DATA IS EXPRESSLY CONDITIONED UPON YOUR ASSENT THAT ITS USE IS LIMITED TO USE WITHIN YOUR COMPANY ONLY. ANY OTHER USE IS STRICTLY PROHIBITED WITHOUT THE PRIOR WRITTEN CONSENT OF TIMES MICROWAVE SYSTEMS.

SYM	REVISION DESCRIPTION	DFTM	DATE	APPD	DATE
A	RELEASED FOR PRODUCTION	N. N. N	5/16/14	J. D. B.	5/28/14

REMARKS:
 1. CRIMP FERRULE HEX. SIZE .256"
 2. CONTACT PIN IS CAPTIVATED.



RECOMMENDED
CABLE STRIPPING DIM'S



MATERIALS AND PLATING		UNIT: MICRO-INCHES
BODY	BRASS C3604	ALBALOY 80u" / COPPER
SHELL	BRASS C3604	ALBALOY 80u" / COPPER
CONTACT PIN	BERYLLIUM COPPER	GOLD 50u" / NICKEL/COPPER
INSULATOR	TEFLON MIL-P-19468	N/A
FERRULE	BRASS	ALBALOY 80u" / COPPER

ELECTRICAL CHARACTERISTICS	
Impedance	50 Ω
Voltage rating	335V(rms)
Frequency range	0~6GHz
Dielectric withstanding voltage	500V
Contact resistance	Center contact ≤ 3mΩ Outer contact ≤ 2mΩ
Insulation resistance	≥ 5000MΩ
Insertion loss	N/A
RF-leakage	N/A
VSWR	1.3 MAX.
3rd Intermodulation	N/A

MECHANICAL CHARACTERISTICS	
Force to engage and disengage	N/A
Center contact retention force	≥ 6 lbs
Recommended coupling torque	7-10 in-lbs
Coupling nut retention force	60 lbs MIN.
Durability	≥ 500 cycles

ENVIRONMENTAL CHARACTERISTICS	
Temperature range	-55°C - +125°C
Relative Humidity	MIL-STD-202, Method 106
Vibration	MIL-STD-202, Method 204, Cond D
Shock	MIL-STD-202, Method 213, Cond I
Corrosion	MIL-STD-202, Method 101, Cond B

MATL:
SEE ABOVE

USED ON:

SCALE: ~

UNLESS OTHERWISE SPECIFIED
 ALL DIMENSIONS ARE IN mm
 UNLESS OTHERWISE SPECIFIED:
 1) EDGES C0.15 MAX;
 2) REMOVE ALL BURRS;
 3) SURFACE ROUGHNESS Ra1.6;
 4) UNITS (mm);
 5) DIMENSIONS TOLERANCES
 DECIMALS ANGLES
 .x ±0.3 ±5°
 .xx ±0.2

DO NOT SCALE DRAWING

CODE IDENT 68999

DFTM. N. N. N
 DATE 5/16/14
 CHKD. J. D. B.
 DATE 5/28/14
 APPD. J. D. B.
 DATE 5/28/14

TIMES MICROWAVE SYSTEMS

EZ-240-SM-PL-X
 SMA Male
 for LMR-240-LLPL

1 of 1 | SD3190-3075 | REV A