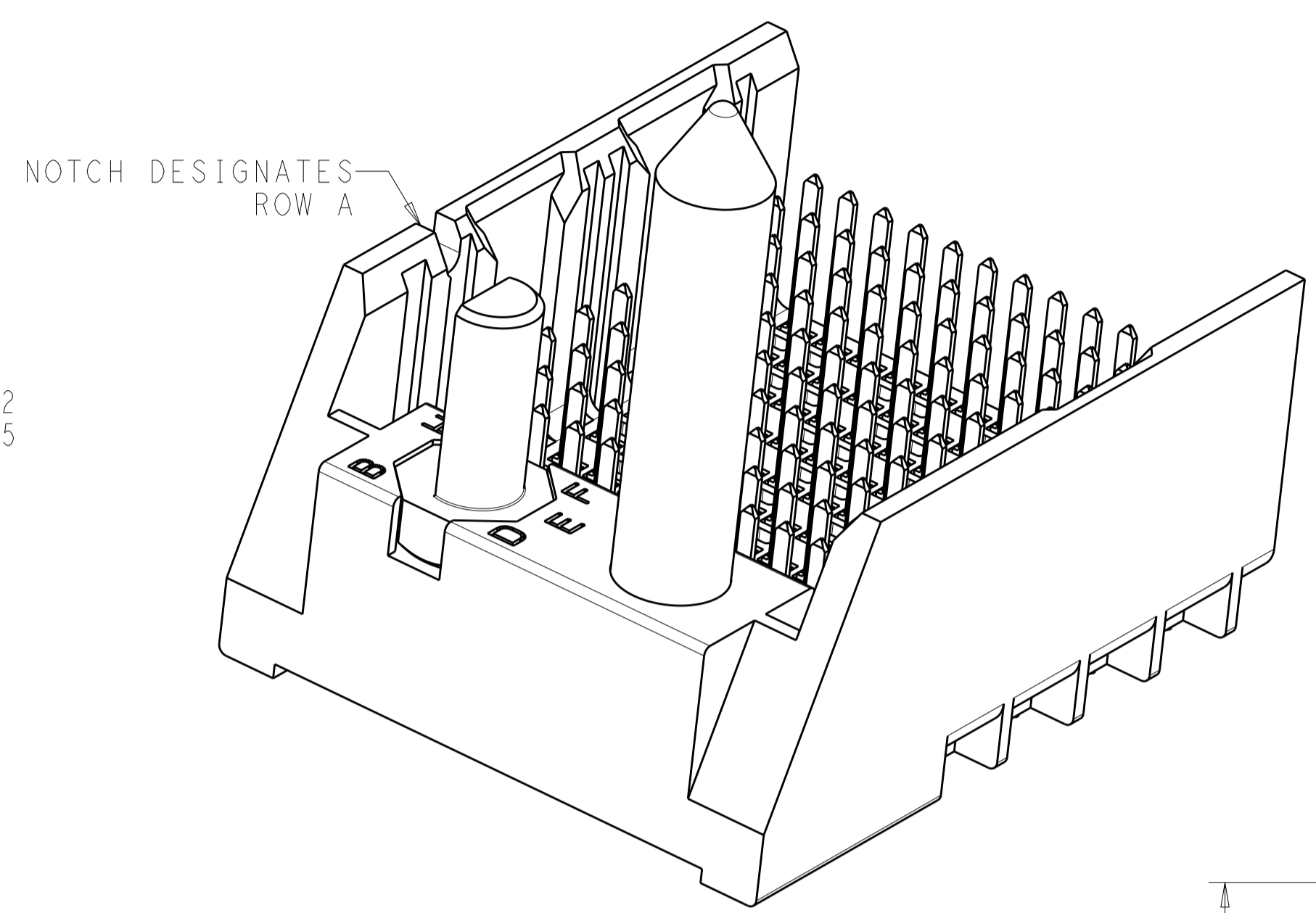
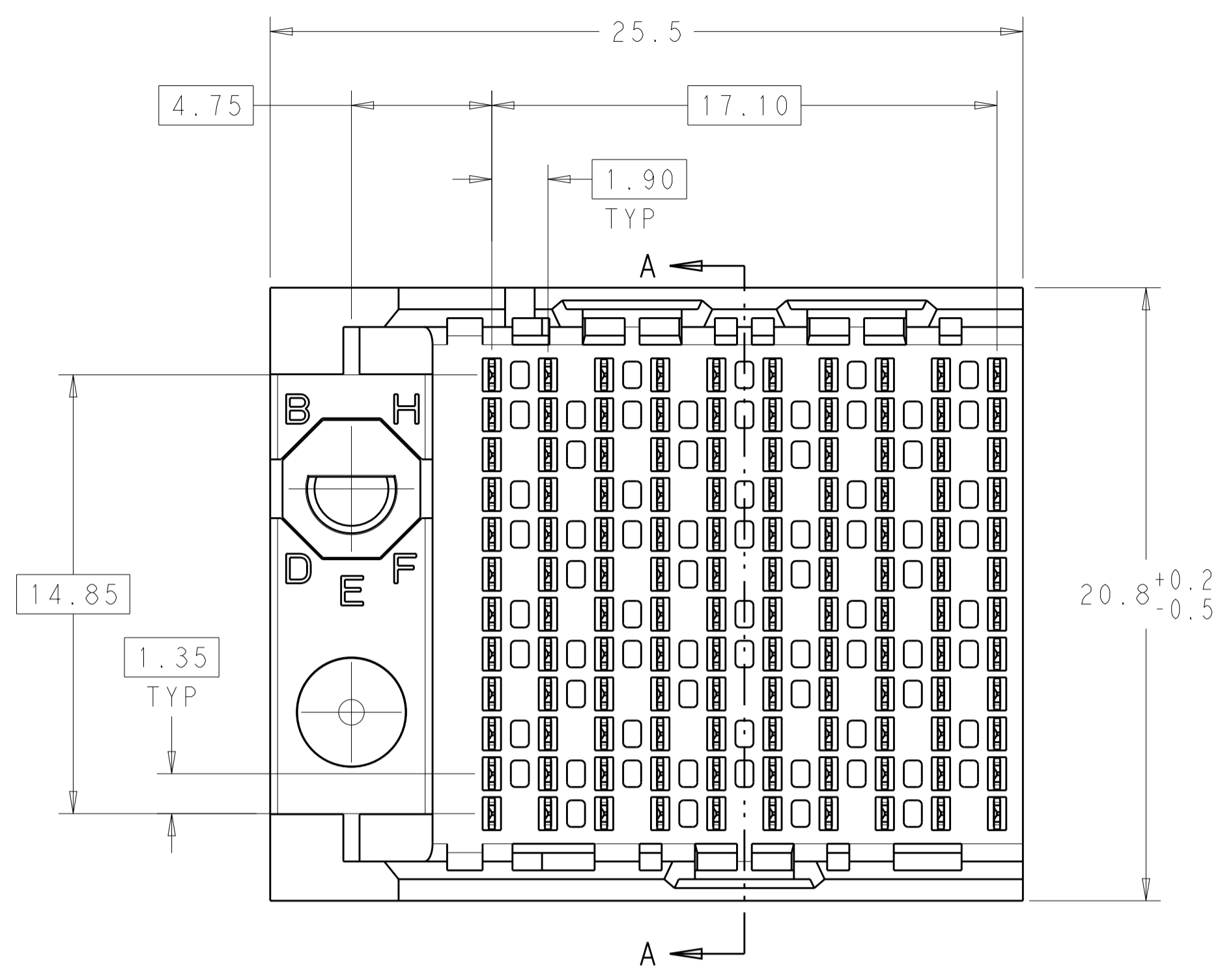
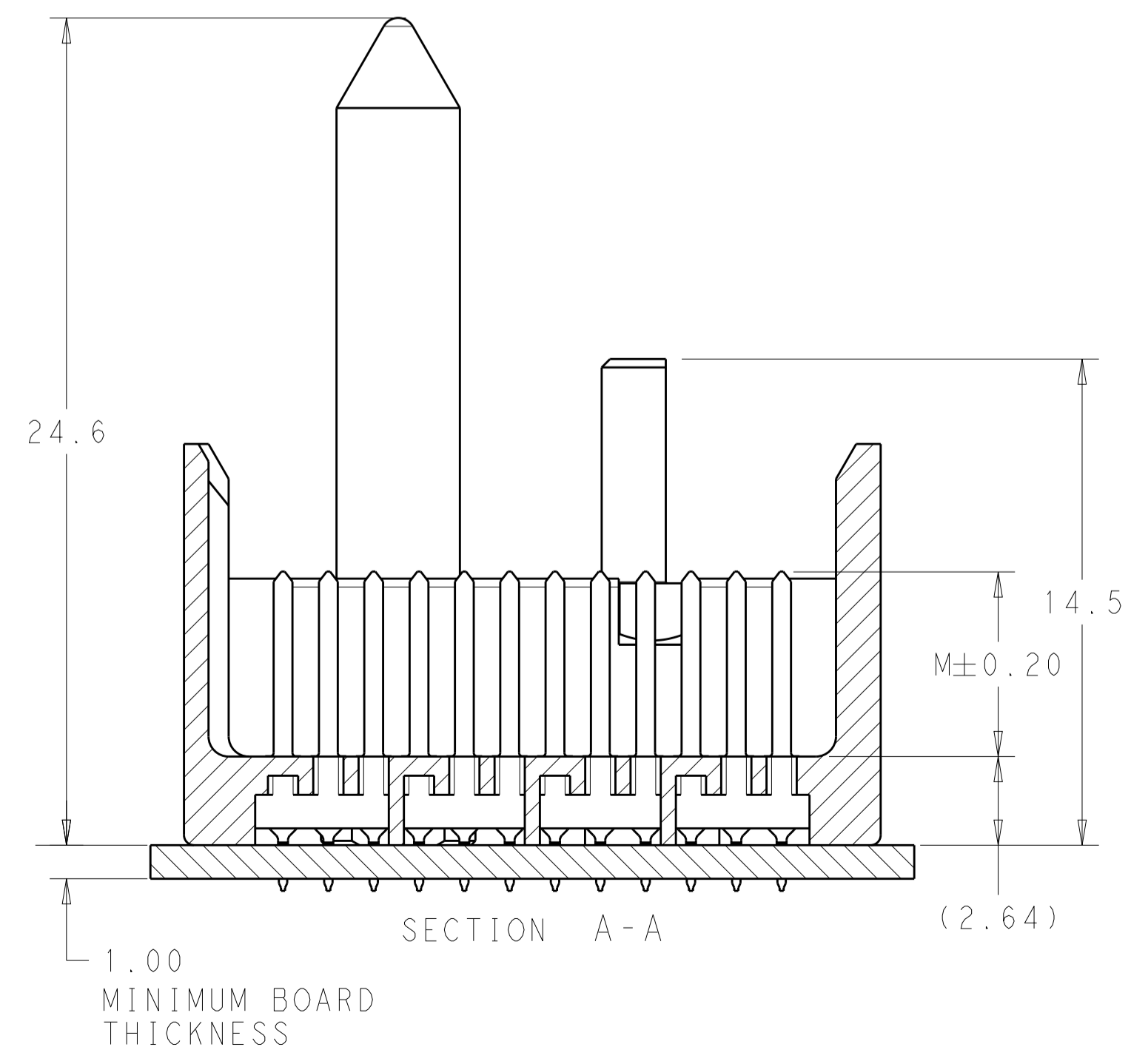
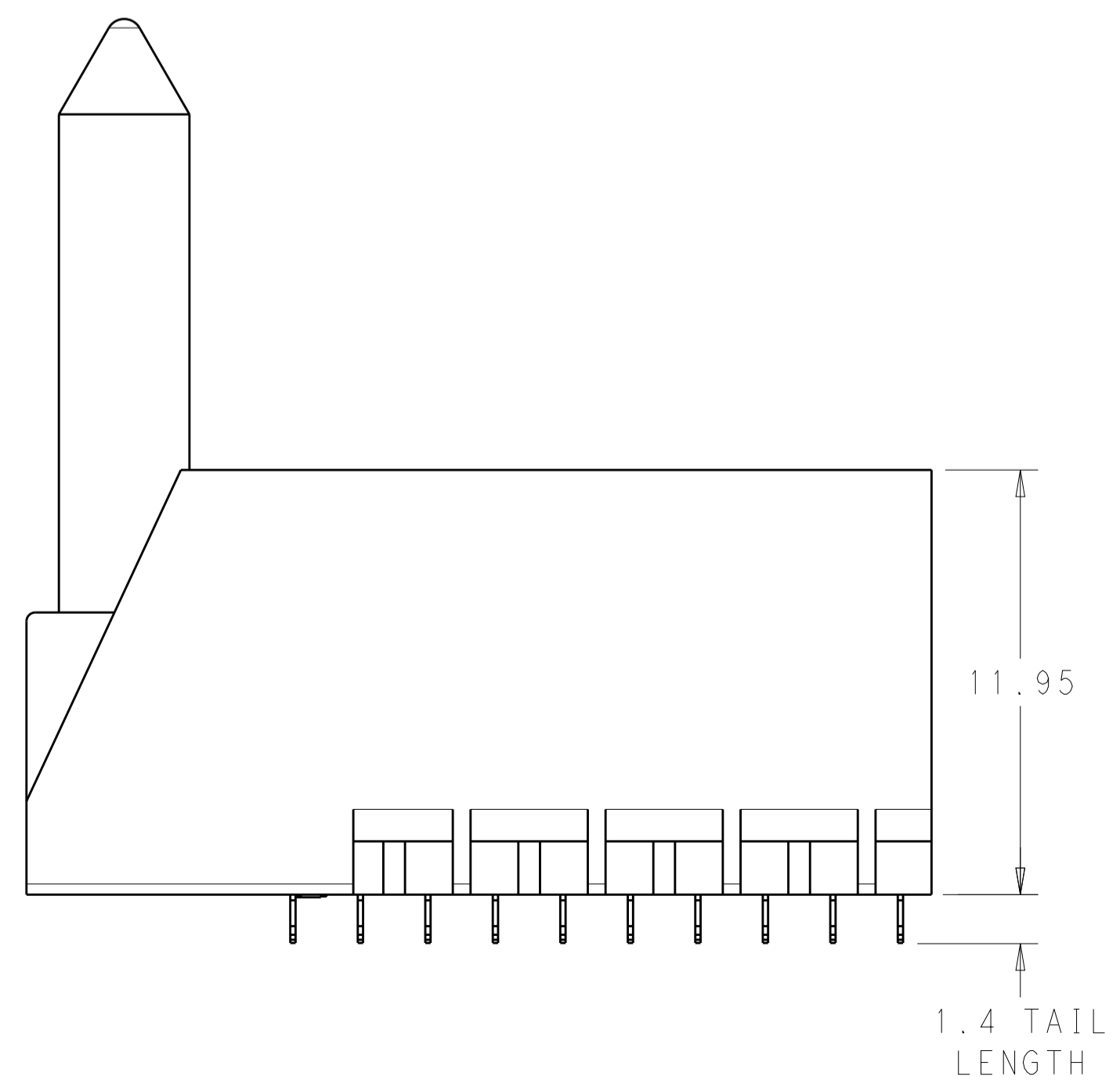
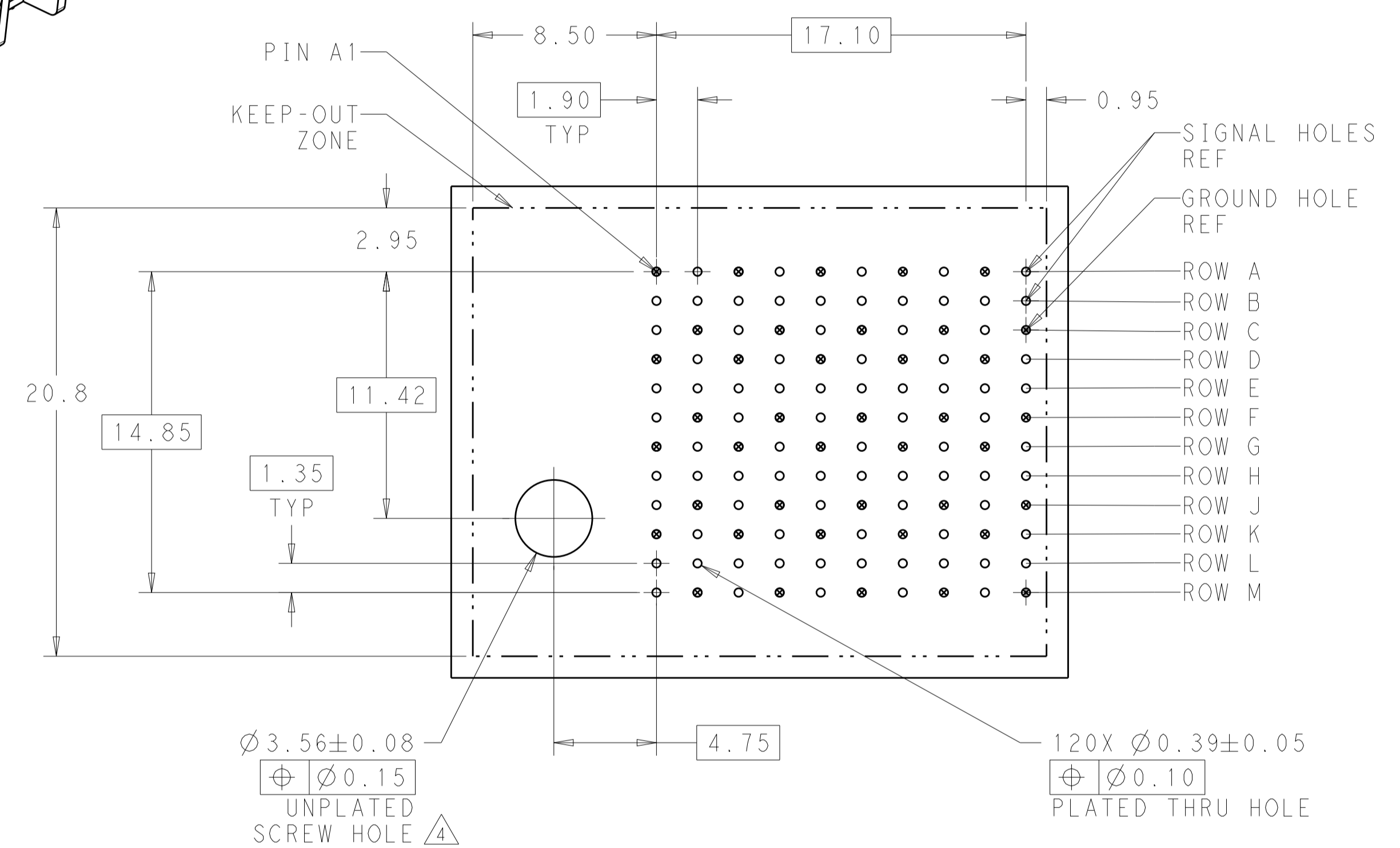


LOC		DIST		REVISIONS			
AD	00	P	LTH	DESCRIPTION	DATE	DWN	APVD
		B1		REVISED PER ECO-15-001494	03FEB2015	AP	DD

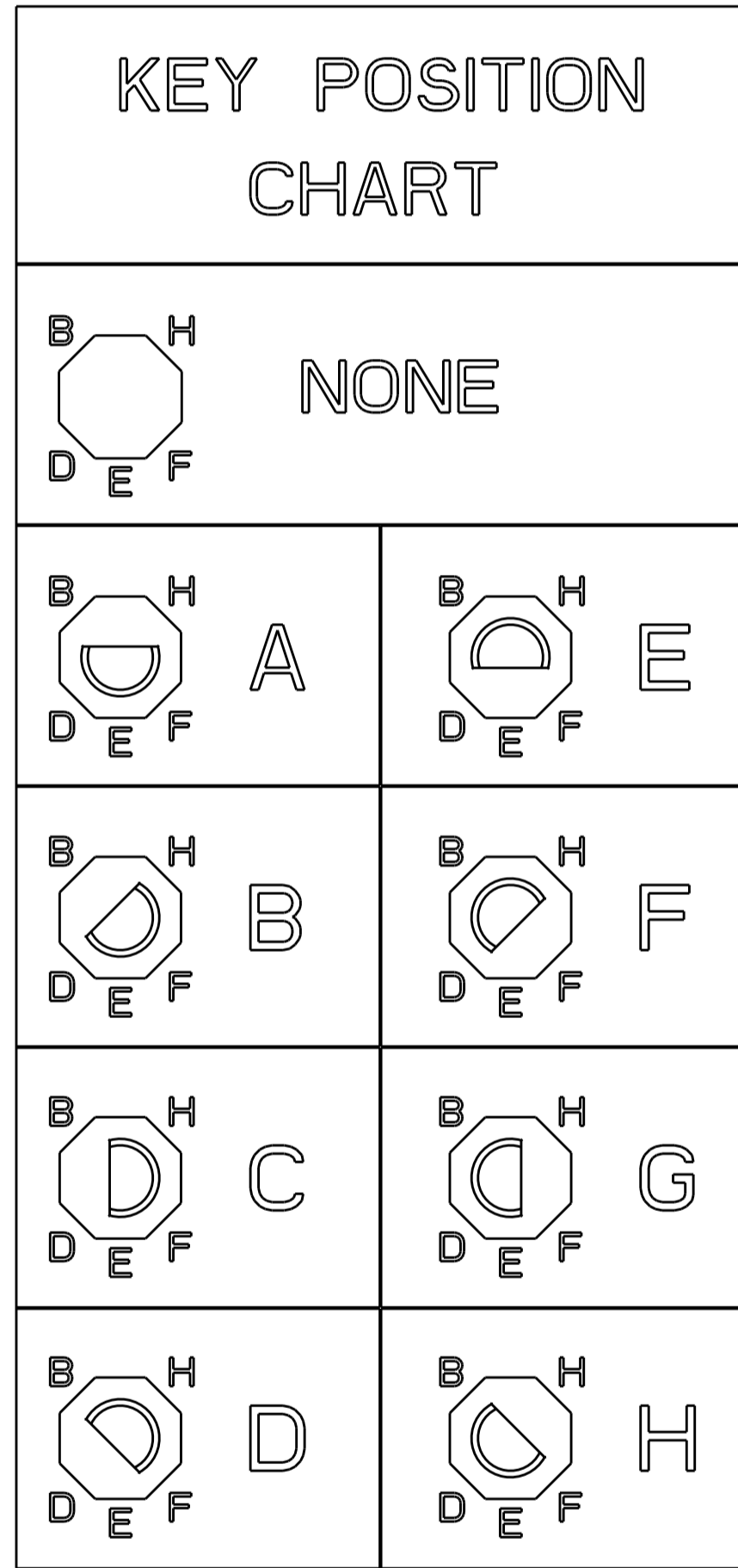


- 1 MATERIAL:
HOUSING: LCP, GLASS FILLED, UL94V-0.
TERMINALS: HIGH PERFORMANCE COPPER ALLOY.
- 2 FINISH:
30μ" MIN GOLD IN CONTACT AREA. SELECTIVE TIN ON PCB TAILS, NICKEL OVERALL.
- 3. SCREWS PACKAGED IN END OF PACKAGING TUBE.
- 4 FOR GROUNDED GUIDE PIN USE $\varnothing 3.56 \pm 0.08$ PTH, $\varnothing 3.66$ DRILL, AND $\varnothing 6.5$ PAD.
- 5. KEYING PIN SHOWN IN POSITION A, SEE KEYING CHART ON SHEET 2 FOR OTHER POSITIONS.



THIS DRAWING IS A CONTROLLED DOCUMENT.		DWN J. K. SHOBER 26DEC11	TE Connectivity
DIMENSIONS: mm		CHK J. EARY 26DEC11	
TOLERANCES UNLESS OTHERWISE SPECIFIED:		APVD J. EARY 26DEC11	
0 PLC ± 1 PLC ±0.25 2 PLC ±0.13 3 PLC ± 4 PLC ± ANGLES ±		NAME IMPACT, 4 PAIR, 10 COLUMN, HEADER LEFT GUIDED, OPEN END WALL SIGNAL MODULE, 0.39 PTH	
MATERIAL	FINISH SEE TABLE	WEIGHT	SIZE CAGE CODE DRAWING NO. RESTRICTED TO
CUSTOMER DRAWING		SCALE 6:1	SHEET 1 OF 2 REV B1

LOC		DIST		REVISIONS			
AD	00	REV	DATE	BY	DATE	BY	DATE
-	-	-	SEE SHEET 1	-	-	-	-



	H	5.5	8-2007809-3
	H	4.9	8-2007809-2
	H	4.5	8-2007809-1
	G	5.5	7-2007809-3
	G	4.9	7-2007809-2
	G	4.5	7-2007809-1
	F	5.5	6-2007809-3
	F	4.9	6-2007809-2
	F	4.5	6-2007809-1
	E	5.5	5-2007809-3
	E	4.9	5-2007809-2
	E	4.5	5-2007809-1
	D	5.5	4-2007809-3
	D	4.9	4-2007809-2
	D	4.5	4-2007809-1
	C	5.5	3-2007809-3
	C	4.9	3-2007809-2
	C	4.5	3-2007809-1
	B	5.5	2-2007809-3
	B	4.9	2-2007809-2
	B	4.5	2-2007809-1
	A	5.5	1-2007809-3
	A	4.9	1-2007809-2
	A	4.5	1-2007809-1
	-	5.5	2007809-3
	-	4.9	2007809-2
	-	4.5	2007809-1
FINISH	KEY POSITION	DIM M	PART NUMBER

REFER TO WWW.TE.COM
FOR PRODUCT AVAILABILITY

THIS DRAWING IS A CONTROLLED DOCUMENT.		DWN J. K. SHOBER 26DECT1 CHG J. EARY 26DECT1 APVD J. EARY 26DECT1	TE Connectivity NAME IMPACT, 4 PAIR, 10 COLUMN, HEADER LEFT GUIDED, OPEN END WALL SIGNAL MODULE, 0.39 PTH
DIMENSIONS: mm 	TOLERANCES UNLESS OTHERWISE SPECIFIED: 0 PLC ±0.25 2 PLC ±0.13 3 PLC ± 4 PLC ± ANGLES ± FINISH SEE TABLE	PRODUCT SPEC APPLICATION SPEC WEIGHT CUSTOMER DRAWING	