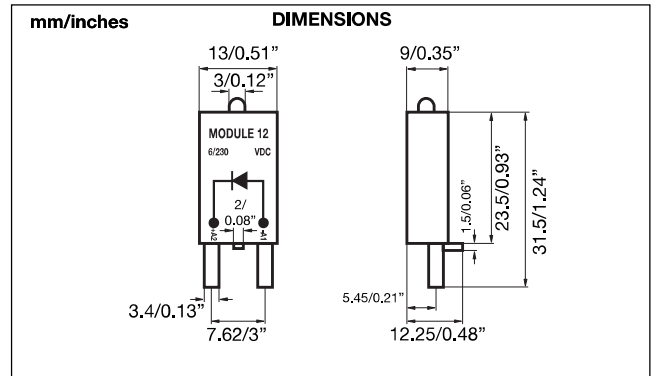
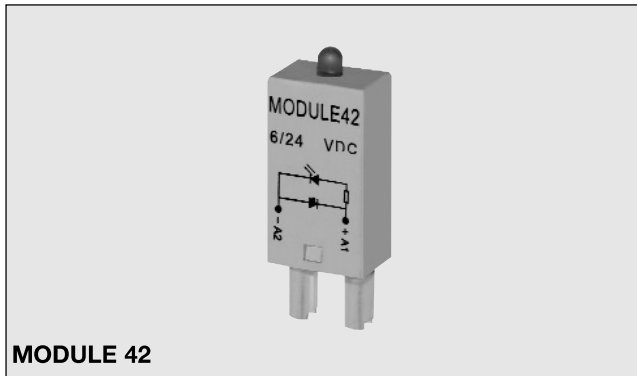


Optional Function Modules

Modules for ZMI and ZD sockets



Approvals



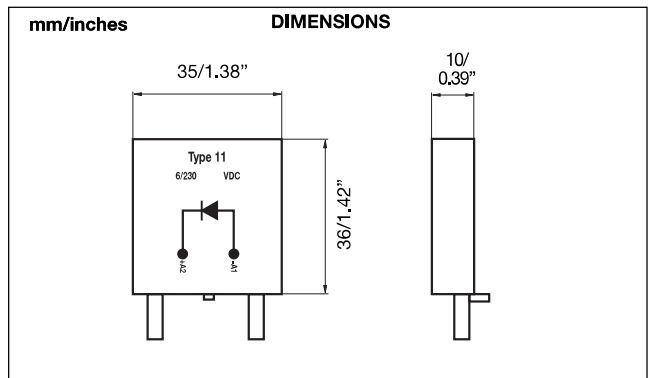
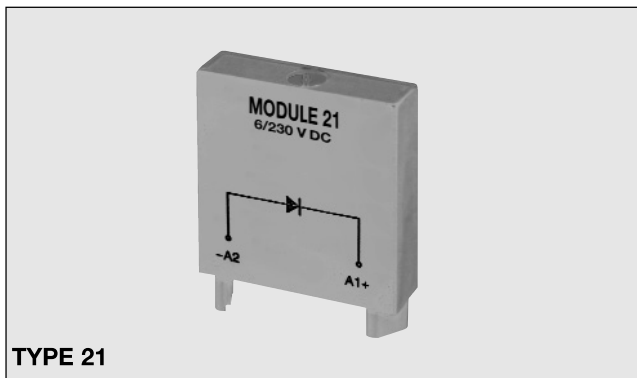
General data

Module material	PA66+GF (V0)
Module colour	RAL 7035 / Pantone 1C

Packaging

Box content: 1 bag, 100pcs.
 Box size: W 160 x D 70 x H 80 mm Weight: ~350g
 (W 6.30 x D 2.75 x H 3.15) inches Weight: ~12.3oz

Modules for ZPD sockets



Approvals



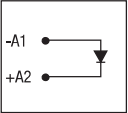
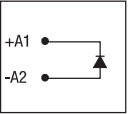
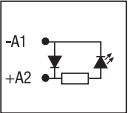
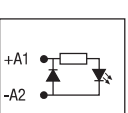
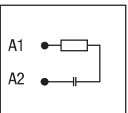
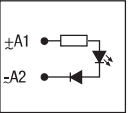
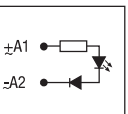
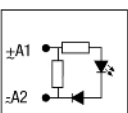
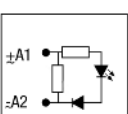
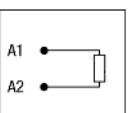
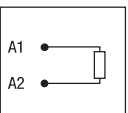
General data

Module material	PA66+GF (V0)
Module colour	RAL 7035 / Pantone 1C

Packaging

Box content: 1 bag, 20pcs
 Weight: ~150g (5.29oz)

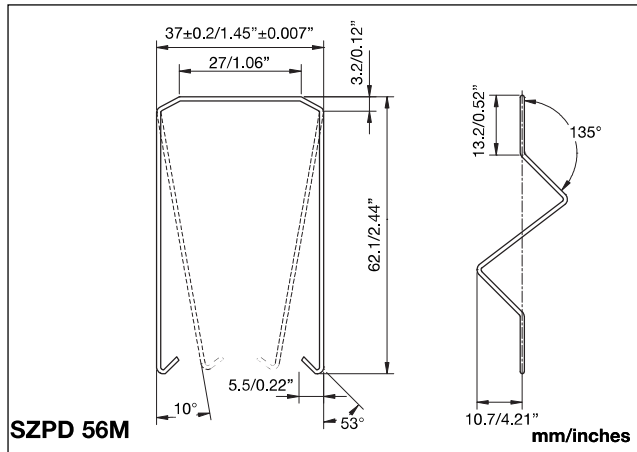
Types and electrical configurations

Diagram	Type	Description	Operating voltage	LED Colour	Ordering code		Notes
					ZM1, ZD, ZDM Sockets	ZPD9, ZPD11	
	12	Free wheeling diode A2 +	6 / 230VDC	n.a.	MODULE12	MODULE11	
	22	Free wheeling diode A1 +	6 / 230VDC	n.a.	MODULE22	MODULE21	
	32	Free wheeling diode A2 +, with LED	6 / 24VDC	Red	MODULE32	n.a.	
			24 / 60VDC		MODULE32B		
			110 / 230VDC		MODULE32C		
			6 / 24VDC	Green**	MODULE32/G		
			24 / 60VDC		MODULE32B/G		
110 / 230VDC	MODULE32C/G						
	42	Free wheeling diode A1 +, with LED	6 / 24VDC	Red	MODULE42	n.a.	
			24 / 60VDC		MODULE42B		
			110 / 230VDC		MODULE42C		
			6 / 24VDC	Green**	MODULE42/G		
			24 / 60VDC		MODULE42B/G		
110 / 230VDC	MODULE42C/G						
	52	RC Filter	110/240VAC	n.a.	MODULE52	MODULE51	Only for AC relays
		RC Filter	6 / 24VAC		MODULE52B	MODULE51B	
		RC Filter	24 / 60VAC		MODULE52D	MODULE51D	
	62	Signalling LED	6 / 24V	Red	MODULE62	n.a.	Can work with AC and DC Relays
	92		24 / 60V		MODULE62E		
			110 / 230V		MODULE92		
	62	Signalling LED	6 / 24V	Green**	MODULE62/G		
	92		24 / 60V		MODULE62E/G		
			110 / 230V		MODULE92/G		
	62	Signalling LED, with Resistor	6 / 24V	Red	MODULE62C		
	92		24 / 60V		MODULE62D		
			110 / 230V		MODULE92C		
	62	Signalling LED, with Resistor	6 / 24V	Green**	MODULE62C/G		
	92		24 / 60V		MODULE62D/G		
			110 / 230V		MODULE92C/G		
	72	Resistor	6 / 24VAC	n.a.	MODULE72	MODULE71	
	82		115VAC		MODULE72A	MODULE71A	
			230VAC		MODULE82	MODULE81	
	102	Resistor	110 / 230VAC	n.a.	MODULE102	n.a.	

** Non standard devices normally not in stock and production upon request

Optional Springs for ZPD series

SZPD 56M



General data

Spring material

Stainless steel

Packaging

Box content:

1 plastic bag, 10pcs.

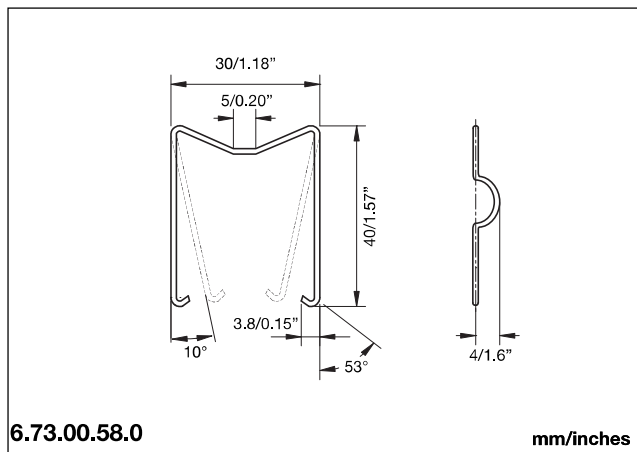
Weight:

~10g (0.36oz)

RoHS
COMPLIANT

Optional Springs for ZC series

6.73.00.58.0



General data

Spring material

Stainless steel

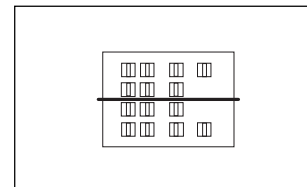
Packaging

Box content:

1 plastic bag, 10pcs.

Weight:

~5g (0.18oz)



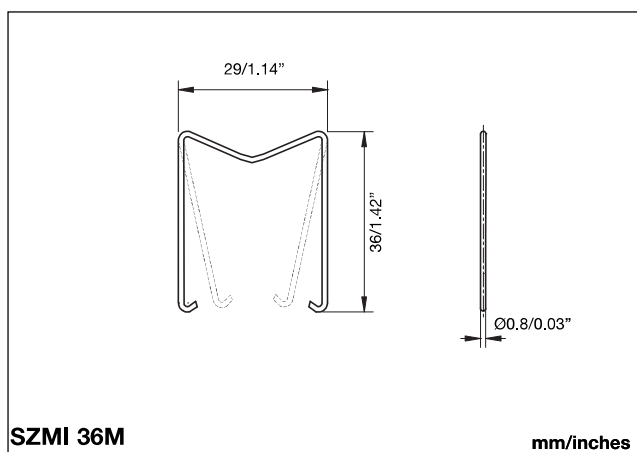
Mounting position for sockets:

ZC 15/2 - ZC15/2A

ZC 15/4 - ZC15/4A

RoHS
COMPLIANT

SZC 36M



General data

Spring material

Stainless steel

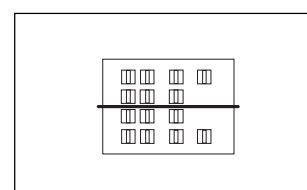
Packaging

Box content:

1 plastic bag, 10pcs.

Weight:

~5g (0.18oz)



Mounting position for sockets:

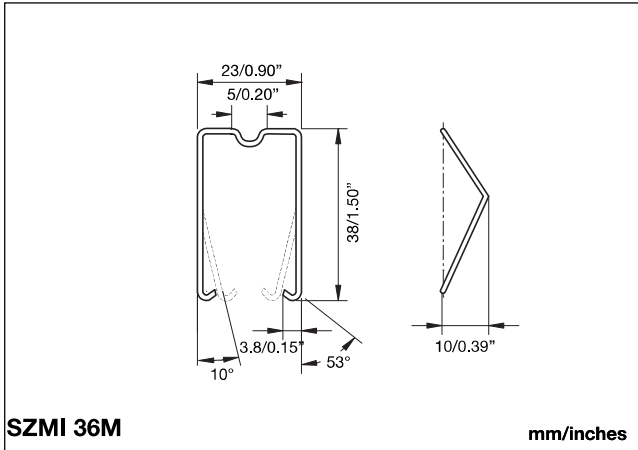
ZC 15/2 - ZC15/2A

ZC 15/4 - ZC15/4A

RoHS
COMPLIANT

Optional Springs for ZMI series, ZR08 and ZDM14A

SZMI 36M



General data

Spring material

Stainless steel

Packaging

Box content:

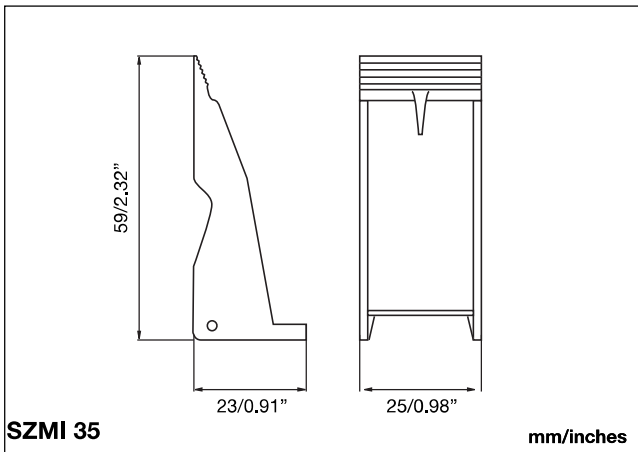
1 plastic bag, 10pcs.

Weight:

~5g (0.18oz)

RoHS
COMPLIANT

SZMI 35



General data

Spring material

PA66 + GF (V0)

Spring colour

RAL 7035 / Pantone 1C

Packaging

Box content:

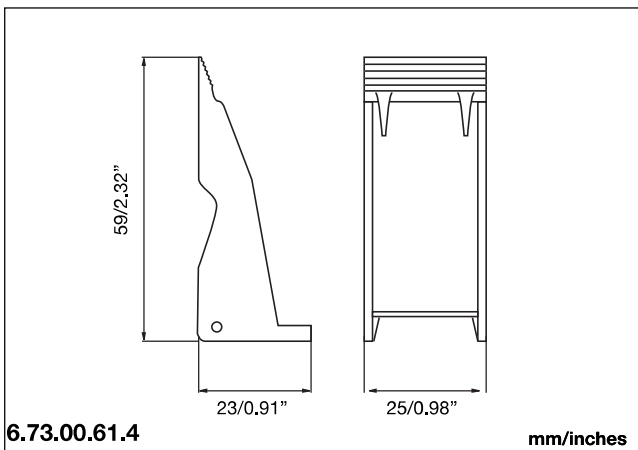
1 plastic bag, 10pcs.

Weight:

~20g (0.70oz)

RoHS
COMPLIANT

6.73.00.61.4



General data

Spring material

PA6 + GF (V2)

Spring colour

RAL 7035 / Pantone 1C

Packaging

Box content:

1 plastic bag, 10pcs.

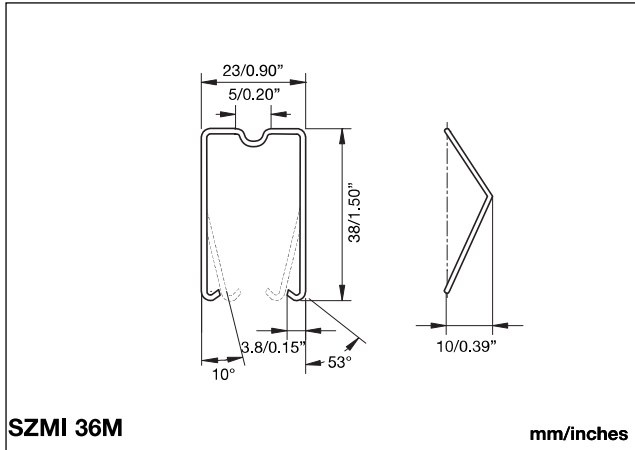
Weight:

~20g (0.70oz)

RoHS
COMPLIANT

Optional Springs for ZY series

SZMI 36M



SZMI 36M

mm/inches

General data

Spring material

Stainless steel

Packaging

Box content:

1 plastic bag, 10pcs.

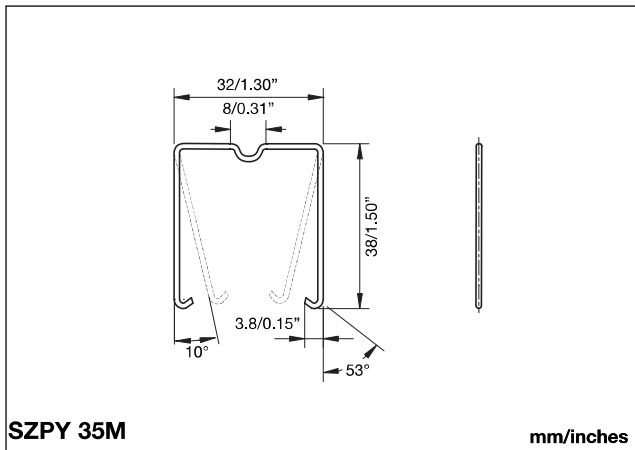
Weight:

~5g (0.18oz)



Only for ZY08

SZY 35M



SZPY 35M

mm/inches

General data

Spring material

Stainless steel

Packaging

Box content:

1 plastic bag, 10pcs.

Weight:

~5g (0.18oz)



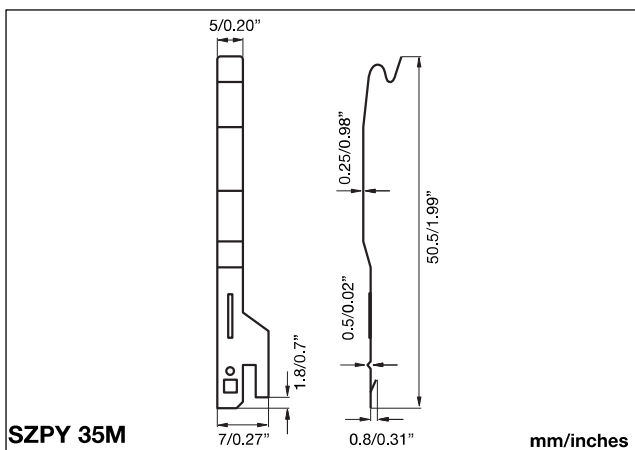
Only for ZY14

Note:

If the relay has the test button option, it is not possible to use the spring.

Optional Springs for ZPY series

SZPY 35M



SZPY 35M

mm/inches

General data

Spring material

Stainless steel

Packaging

Box content:

1 plastic bag, 10pcs.

Weight:

~10g (0.36oz)



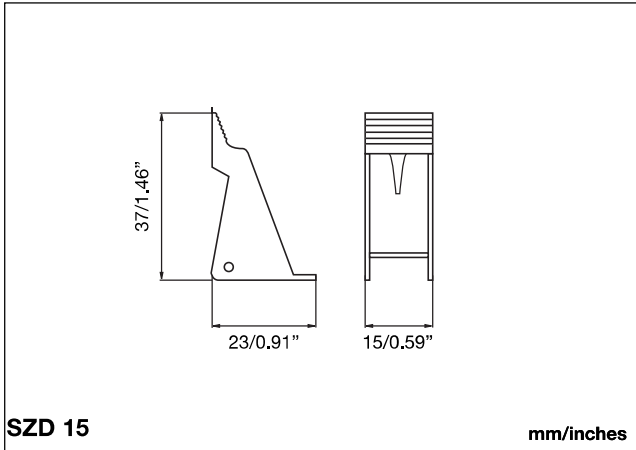
Note:

For each relay/socket are required at least 2 springs.

Up to 4 springs can be mounted.

Optional Springs for ZD series

SZD 15



General data

Spring material	PA66 + GF (V0)
Spring colour	RAL 7035 / Pantone 1C

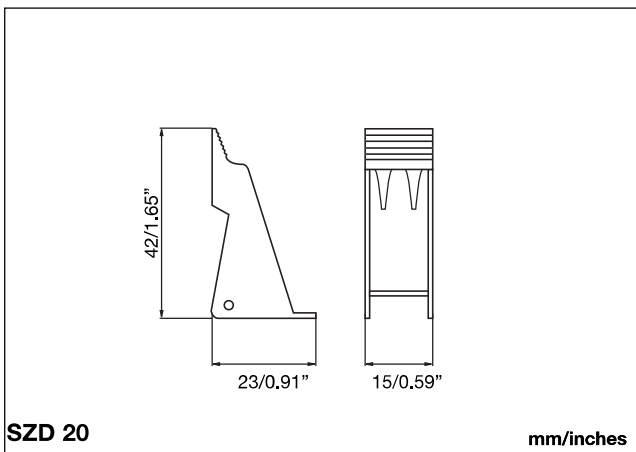
Packaging

Box content:	1 plastic bag, 10pcs.
Weight:	~20g (0.70oz)



Hold down spring for 15÷16mm (0.59÷0.63inches) high relay

SZD 20



General data

Spring material	PA66 + GF (V0)
Spring colour	RAL 7035 / Pantone 1C

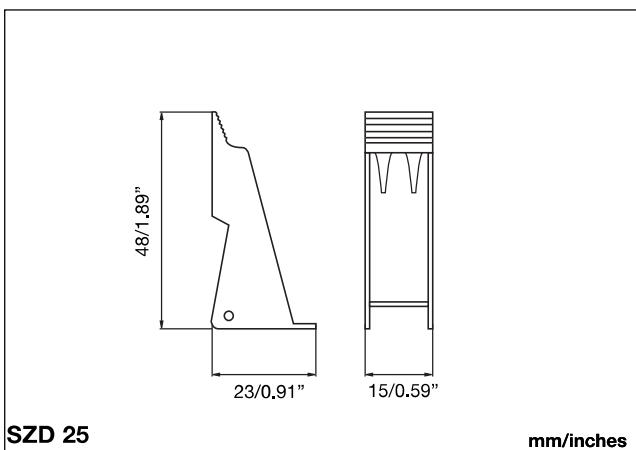
Packaging

Box content:	1 plastic bag, 10pcs.
Weight:	~20g (0.70oz)



Hold down spring for 20÷21mm (0.79÷0.83inches) high relay

SZD 25



General data

Spring material	PA66 + GF (V0)
Spring colour	RAL 7035 / Pantone 1C

Packaging

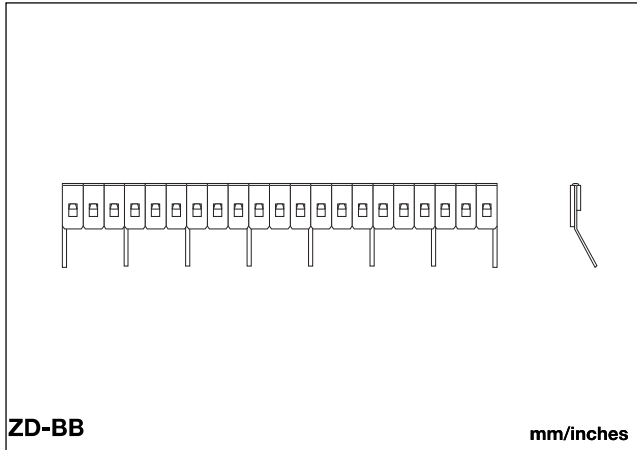
Box content:	1 plastic bag, 10pcs.
Weight:	~20g (0.70oz)



Hold down spring for 25÷28mm (0.98÷1.10inches) high relay

Optional sockets bridging bars

ZD-BB



General data

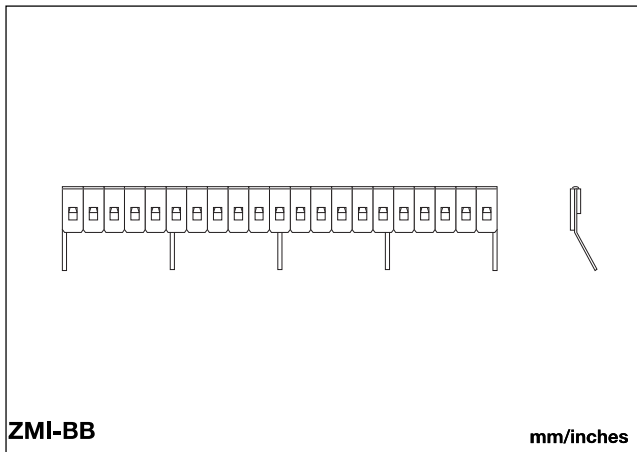
Plastic insulator material	PA66 + GF (V0)
Plastic insulator colour	Black
Metal jumper	Tinned copper

Packaging

Box content: 1 plastic bag, 10pcs.
Weight: ~50g (~1.76oz)



ZMI-BB



General data

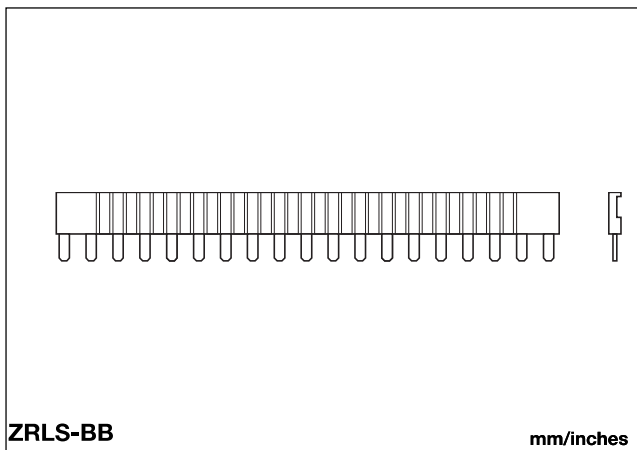
Plastic insulator material	PA66 + GF (V0)
Plastic insulator colour	Black
Metal jumper	Tinned copper

Packaging

Box content: 1 plastic bag, 10pcs.
Weight: ~50g (~1.76oz)



ZRLS-BB



General data

Plastic insulator material	PA66 + GF (V0)
Plastic insulator colour	Black
Metal jumper	Tinned copper

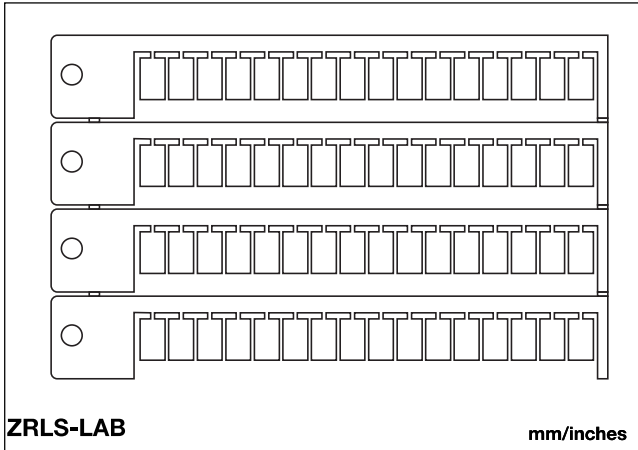
Packaging

Box content: 1 plastic bag, 10pcs.
Weight: ~50g (~1.76oz)



Optional labels for ZRLS1-NA and ZRLS1-GA

ZRLS-LAB



General data

Plastic labels material	Polycarbonate (PC)
Plastic labels colour	White

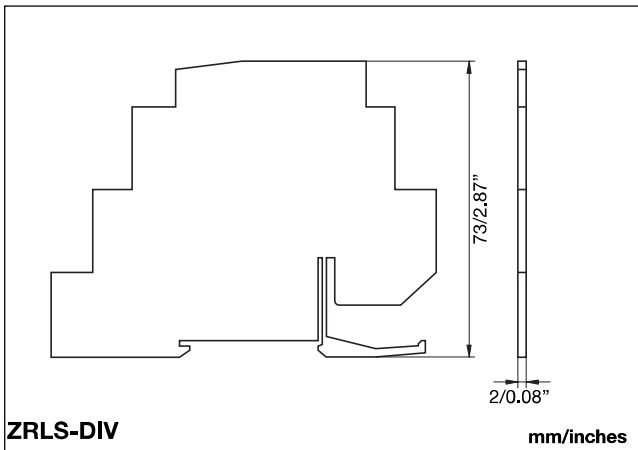
Packaging

Box content:	1 plastic bag, 10pcs.
Weight:	~50g (~1.76oz)



Optional separator for ZRLS1-NA and ZRLS1-GA

ZRLS-DIV



General data

Plastic separator material	PA66
Plastic separator colour	RAL 7035 / Pantone 1C

Packaging

Box content:	1 plastic bag, 10pcs.
Weight:	~50g (~1.76oz)

