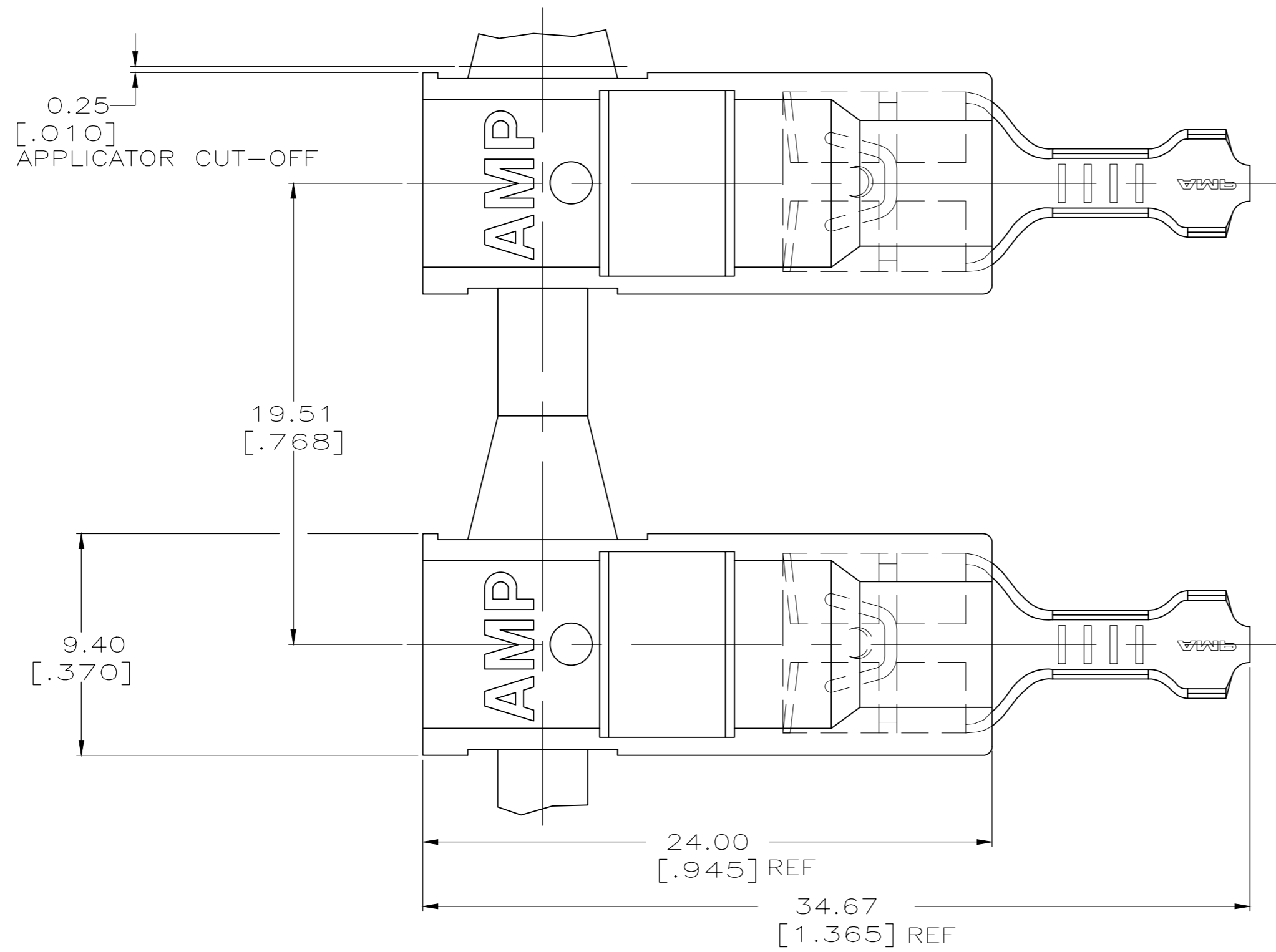
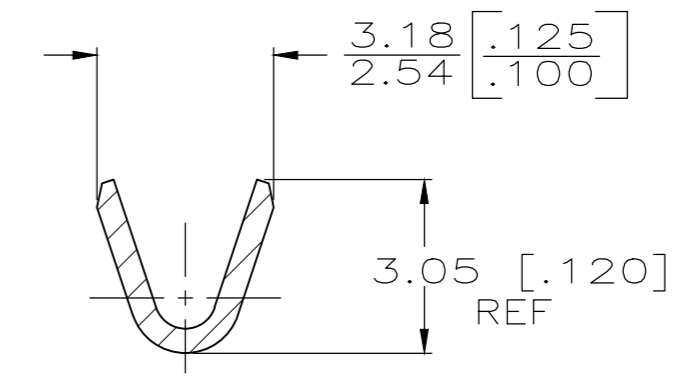


THIS DRAWING IS UNPUBLISHED. RELEASED FOR PUBLICATION  
 © COPYRIGHT - By - ALL RIGHTS RESERVED.

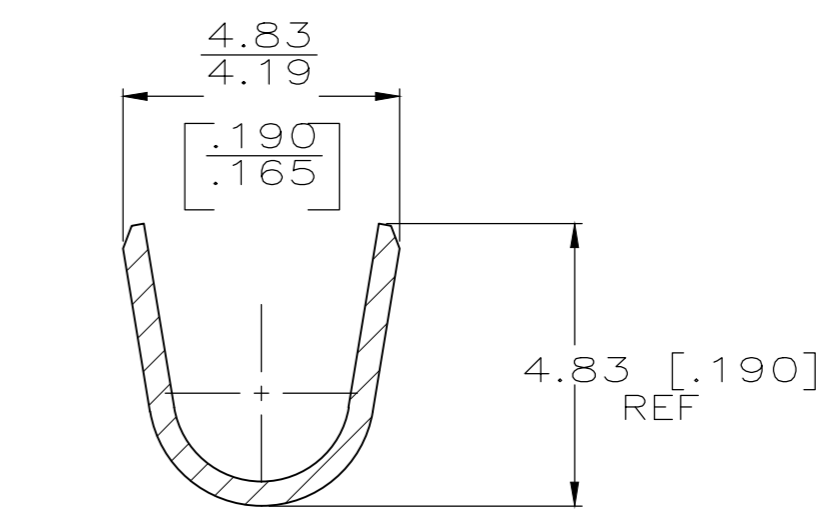
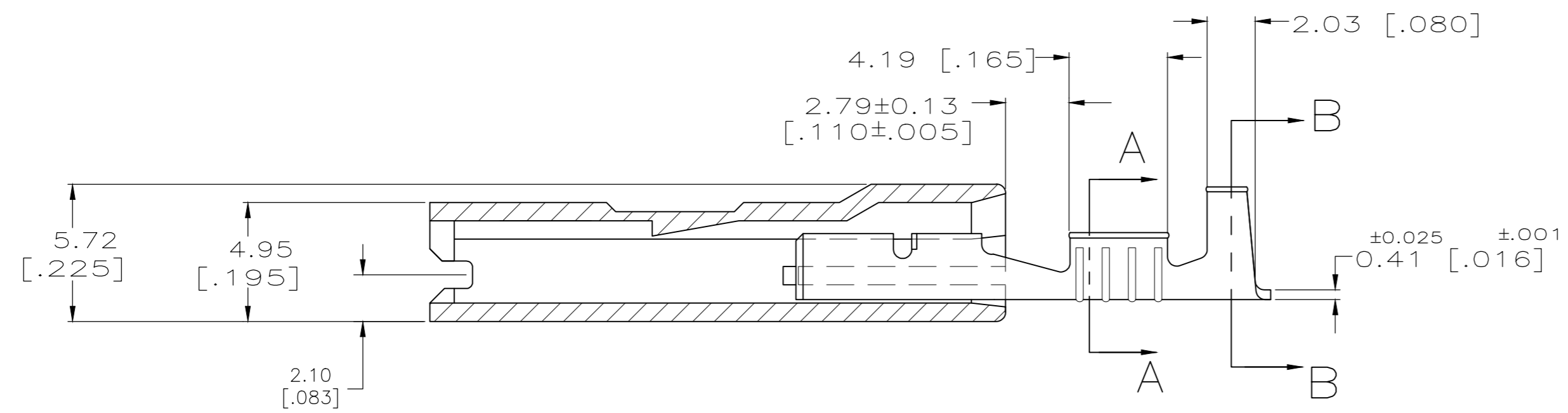
REVISIONS				
P	LTR	DESCRIPTION	DATE	APVD
C1		REVISED PER ECR-19-018127	10AUG20	AA EW



- 1 LOW-INSERTION FASTON TERMINALS, BASE PART NUMBER 2238027, ARE USED IN THIS PRODUCT.
- 2 OFFERED FOR CONSIDERATION IN APPLICATIONS REQUIRING "NON-DRIP" HOUSING MATERIAL.
- △3 PRE-PRODUCTION FASR REQUIRED.
- 4 WIRE SIZE: 0.3-0.8 MM<sup>2</sup> [22-18]
- 5 INSULATION RANGE: 2.29-3.30 [.090-.130]
- 6 MATING TAB THICK: 0.81±0.025[.032#.001]
- △7 GLOW WIRE APPROVED: CONTACT TE ENGINEERING FOR SPECIFICATION ( ALL WALL THICKNESS ARE BETWEEN 0.4 - 3.0 [.015-.118] ).
- △8 OBSOLETE PARTS
- △9 AGENCY APPROVAL IS PENDING.



SECTION A-A  
SCALE 8:1



SECTION B-B  
SCALE 8:1

△9	TIN PLATE	66 NYLON V0 NATURAL	1969161-5
△8	TIN PLATE	NATURAL, V2, WHITE	△7 △3 1969161-3
SUPERCEDED BY 1969161-5		TIN PLATE	△3 1969161-2
	PLAIN	NYLON 66, V0 NATURAL ( WHITE)	△8 △3 1969161-1
	TERMINAL FINISH	HOUSING	PART NO

THIS DRAWING IS A CONTROLLED DOCUMENT.		DWN	13OCT09	RAGHAVENDRA		TE Connectivity Ltd.	
DIMENSIONS: mm [INCHES]		CHK	13OCT09	G PORTA		ASSEMBLY, HOUSING & RECEPTACLE, 6.35 [.250] SERIES ULTRA-POD	
TOLERANCES UNLESS OTHERWISE SPECIFIED:		APVD	13OCT09	G PORTA		NAME	
0 PLC	± -	PRODUCT SPEC		108-1285		SIZE	
1 PLC	± -	APPLICATION SPEC		114-2124		CAGE CODE	
2 PLC	± 0.25 [.010]	MATERIAL		BRASS		DRAWING NO	
3 PLC	± -	FINISH		SEE TABLE		C=1969161	
4 PLC	± -	WEIGHT		0.000000		RESTRICTED TO	
ANGLES	± -	CUSTOMER DRAWING				SCALE 5:1 SHEET 1 OF 1 REV C1	