

THIS DRAWING IS UNPUBLISHED.

RELEASED FOR PUBLICATION

, 19

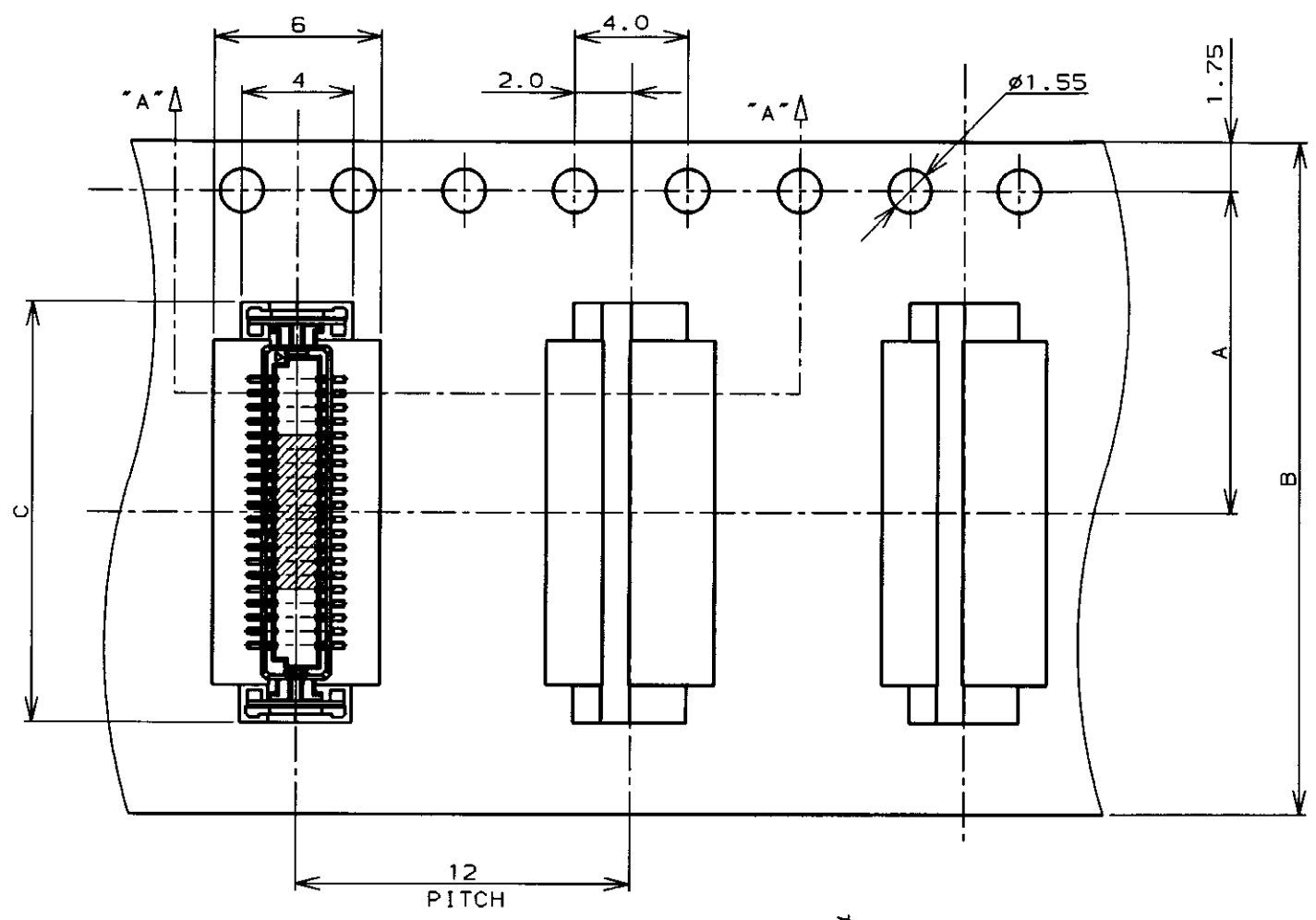
© COPYRIGHT 19

BY AMP INCORPORATED. ALL RIGHTS RESERVED.

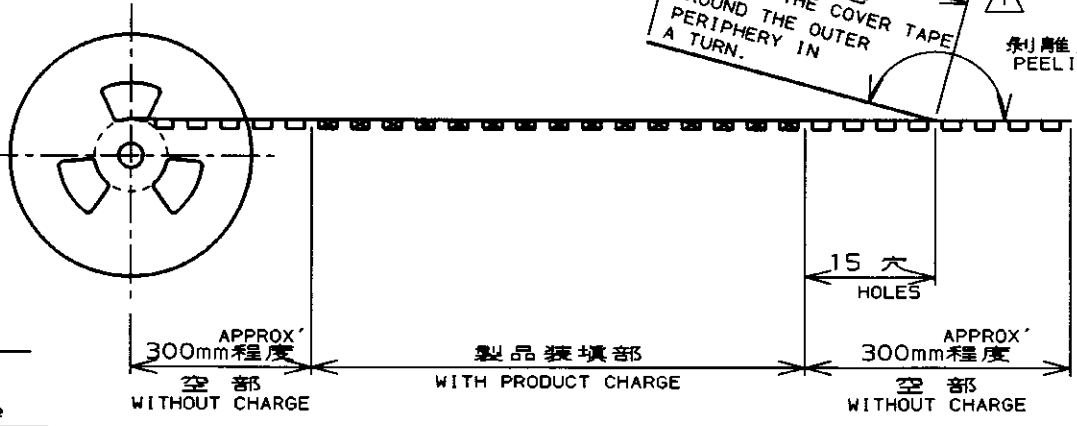
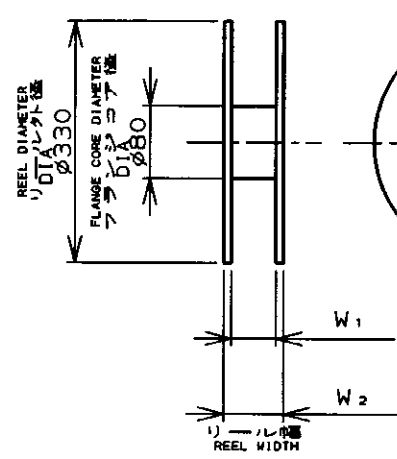
LOC DIST

REVISIONS

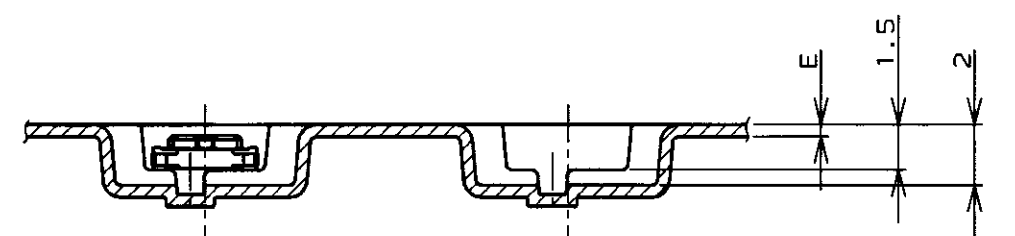
P	LTR	DESCRIPTION	ECN	DATE	DWN	APVD
0		RELEASED	FJ00-5739-96	11/14/96	S.K.	g.f.



TOP OF REEL
引出し方向



カバーテープ
リーダ部
外周一巻
WEEDING THE COVER TAPE
AROUND THE OUTER
PERIPHERY IN
A TURN.
剥離角度, 165°~180°
PEELING ANGLE.



28.4	24.4	0.4	15.0	24	11.5	1500	40	4-353514-0	4-353515-0
28.4	24.4	0.4	12.5	24	11.5	1500	30	3-353514-0	3-353515-0
28.4	24.4	0.4	10.0	24	11.5	1500	20	2-353514-0	2-353515-0
W2	W1	E	C	B	A	数量 (ヶ) QTY/REEL	極数 Pos.	コネクタ型番 (シラ状) CONNECTOR P/N (L/P)	リール巻 コネクタ型番 TAPING P/M

THIS DRAWING IS A CONTROLLED DOCUMENT FOR AMP INCORPORATED. IT IS SUBJECT TO CHANGE AND THE CONTROLLING ENGINEERING ORGANIZATION SHOULD BE CONTACTED FOR THE LATEST REVISION.

DWN: S. Kajinuma 11/14/96
CHK: K. Oshikawa 11/14/96
APVD: M. Fujinuma 15-NOV-96

AMP 日本エー・エム・ピー株式会社
Kawasaki, Japan

ON TAPING (EMBOSS)
0.5mm PITCH FS CONN. TAB ASSEMBLY WITH KEY & WITHOUT BOSS

DIMENSIONS: 単位・概 mm
TOLERANCES UNLESS OTHERWISE SPECIFIED
一般公差
10% : ±0.2
30% : ±0.25
100% : ±0.3
ANGLE : ±3°

MATERIAL 材料
FINISH 仕上

WEIGHT
CUSTOMER DRAWING

SIZE: A3
CAGE CODE: 00779
DRAWING NO.: 353515
SCALE: 尺度
SHEET: 1 OF 1
REV: 0