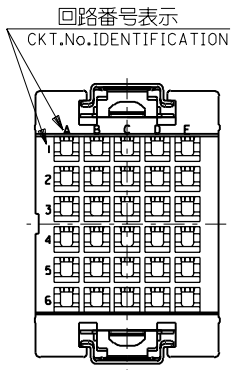
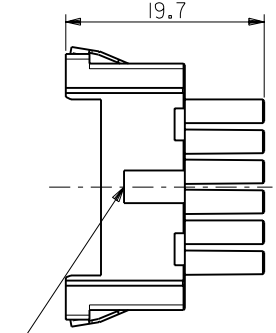


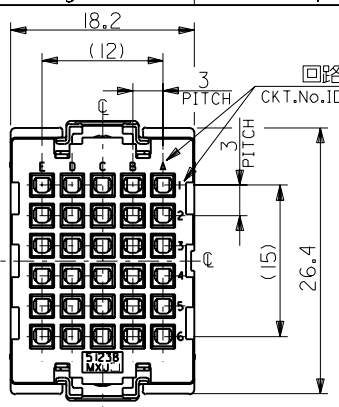
DWG. NO. SD-51238-009



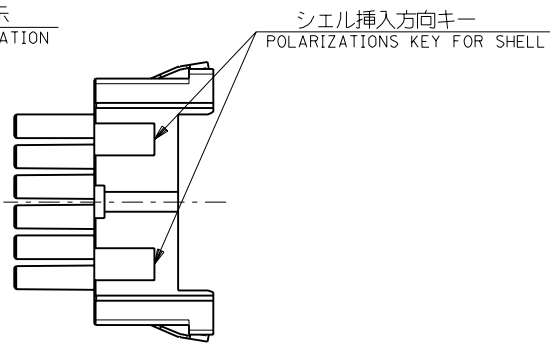
電線挿入側
WIRE SIDE



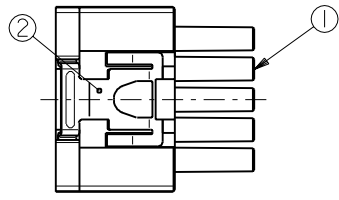
シェル挿入方向キー
POLARIZATIONS KEY FOR SHELL



嵌合側
MATING SIDE



シェル挿入方向キー
POLARIZATIONS KEY FOR SHELL



注記
NOTES

- 材質
MATERIAL
①ハウジング：ガラス入りPBT樹脂
HOUSING : PBT G.F.
UL94V-0 色：黒
UL94V-0 COLOR : BLACK
- ②スプリング：ステンレス鋼 t0.3
SPRING : STAINLESS STEEL t0.3
- 適用端子：56120-8*90, 56121-8*90
APPLECABLE CRIMP PIN : 56120-8*90, 56121-8*90
- 適用リセプタクル シェル：56377-30**
APPLECABLE RECEPTACLE SHELL : 56377-30**
- 嵌合相手：51234-300*
MEET WITH : 51234-300*

<誤嵌合防止キー（極性）タイプ> <POLARITY KEY TYPE>

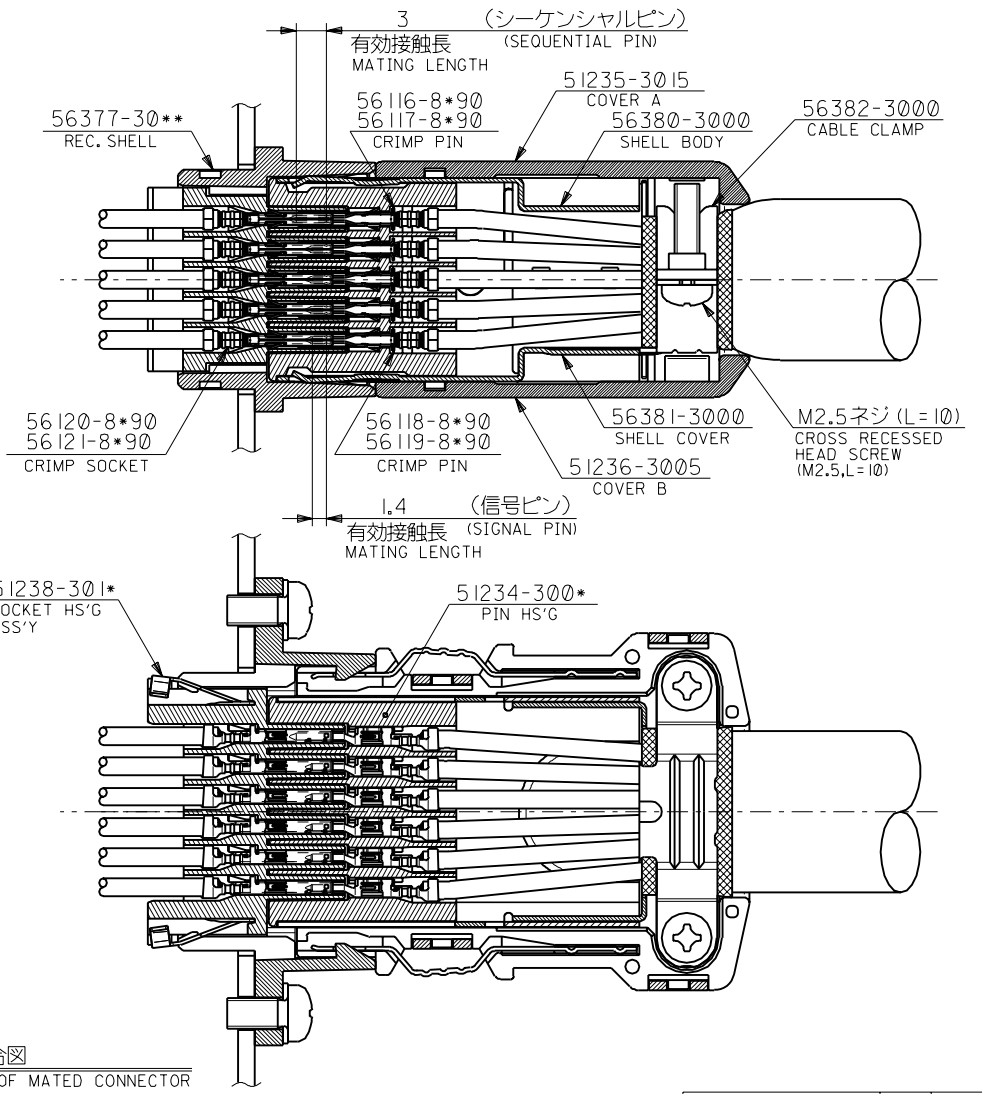
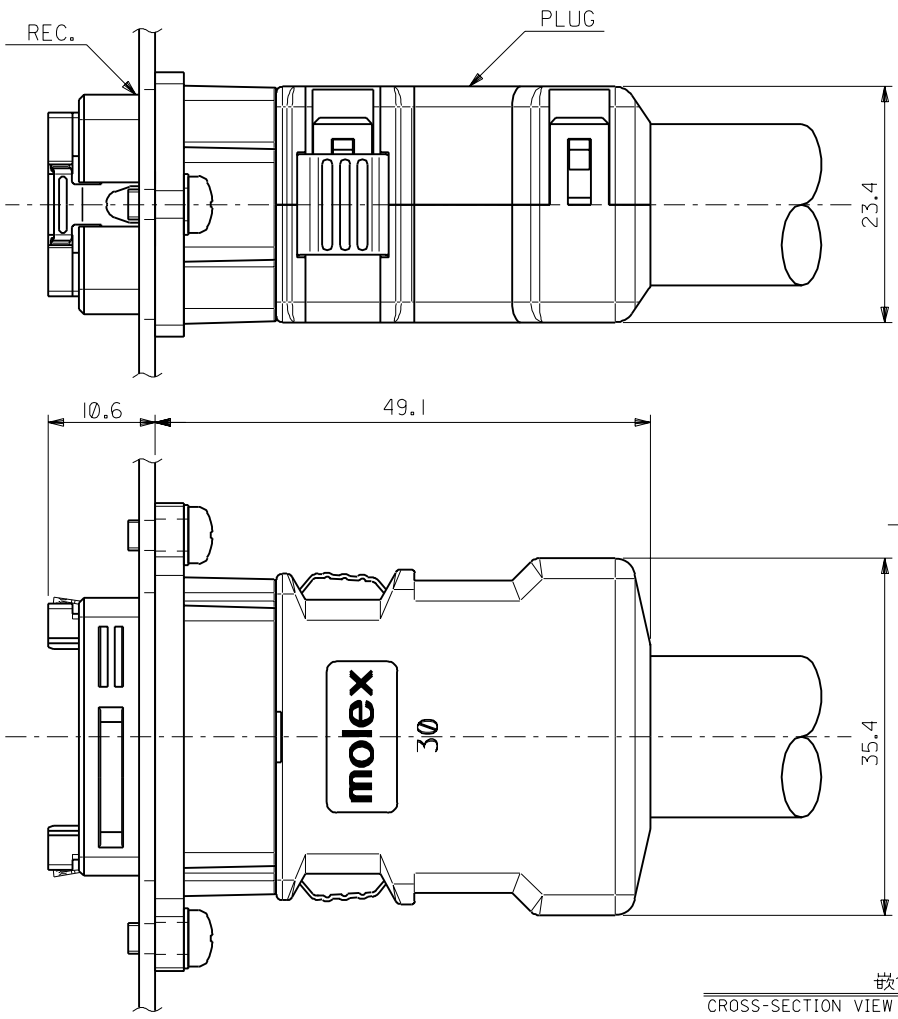
51238-3011	51238-3012	51238-3013	51238-3014	51238-3015
STANDARD TYPE	A TYPE	B TYPE	C TYPE	D TYPE

B-3	D	51238-3015	51238-***1*	30
D-4	C	51238-3014		
C-4	B	51238-3013		
C-3	A	51238-3012		
—	STANDARD	51238-3011		
POLARITY POSITION (CIRCUIT No.)	POLARITY TYPE	MATERIAL No.	MODEL No.	CIRCUIT

DO NOT SCALE DRAWING

EC NO. DRAWN: CHK: APPR:	EC NO. DRAWN: CHK: APPR:	EC NO. DRAWN: CHK: APPR:	REVISED 01/10/04 EC NO. J2002-0786 DRAWN: S.AKIYAMA CHK: J.MIYAZAWA APPR: Y.O.ITO	RELEASED 01/02/16 EC NO. JD2001-1040 DRAWN: S.AKIYAMA CHK: J.MIYAZAWA APPR: H.IKESUGI	MATERIAL 材料 注記参照 SEE NOTES	GENERAL TOLERANCES: (UNLESS SPECIFIED) 一般公差	SCALE 2-1 DESIGN UNITS mm INCH	THIRD ANGLE PROJECTION	DIMENSIONS: mm INCH	SHT REV
					FINISH 仕上げ	10 UNDER 未満 ±0.2	DRAWN BY & DATE S. Akiyama 1/01/25	TITLE: COMPACT ROBOT CONN. (CRC) REC. SOCKET HS'G ASS'Y		
					WIRE RANGE 適用線径範囲	10 OVER 30 UNDER 未満 ±0.25	CHECKED BY & DATE J. Miyazawa / Y. Ito	TITLE: MOLEX INCORPORATED		
					INS. RANGE 被覆外径	30 OVER 以上 ±0.3	APPROVED BY & DATE S. Akiyama	MATERIAL NO. DRAWING NO.		
						ANGLE 角度 ±3°	CAD FILE NAME 51238009.S01	SEE CHART	SD-51238-009	SHEET NO. 1 OF 4
THIS DRAWING CONTAINS INFORMATION THAT IS PROPRIETARY TO MOLEX INCORPORATED AND SHOULD NOT BE USED WITHOUT WRITTEN PERMISSION.										SIZE B

DWG. NO. SD-51238-009



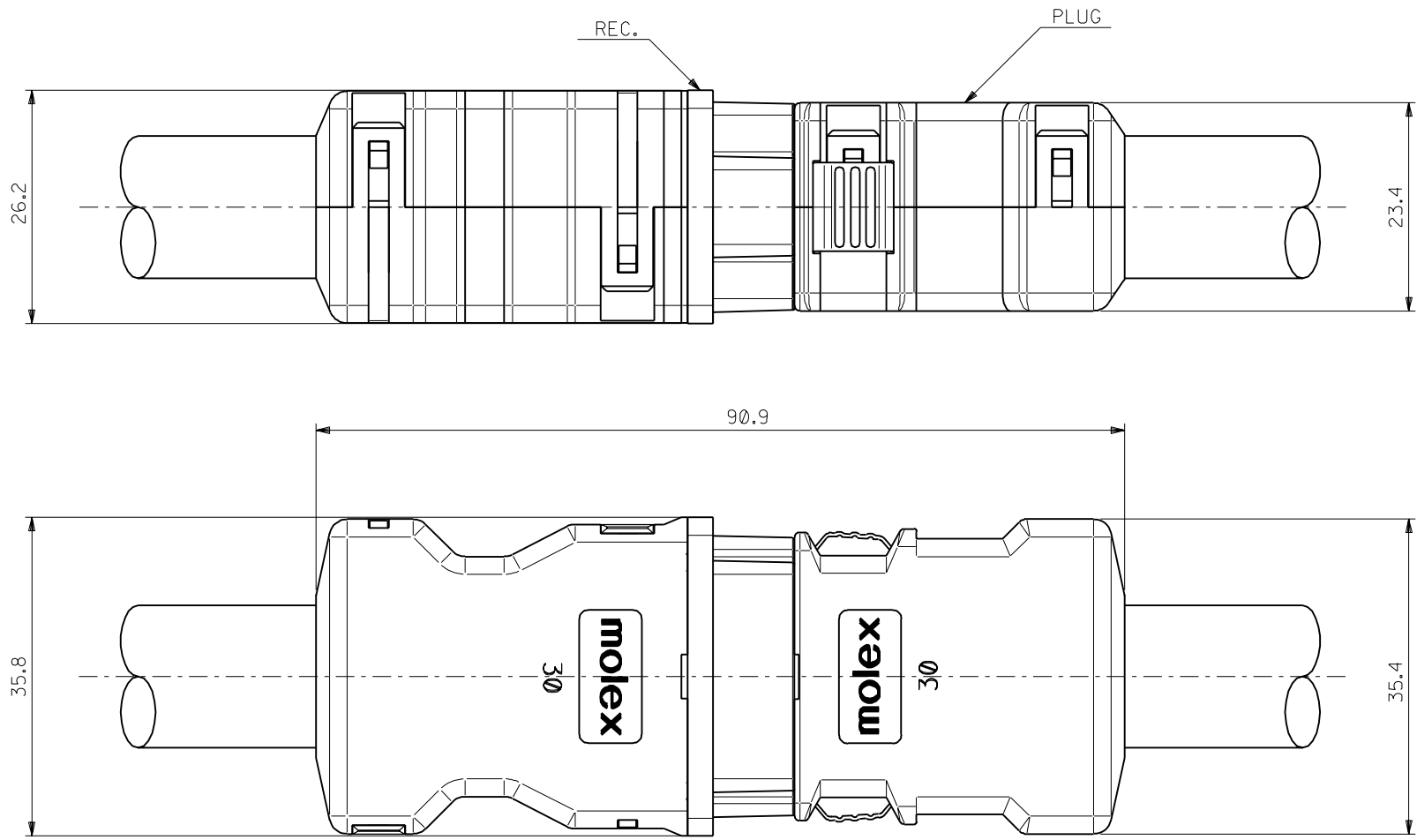
嵌合図
CROSS-SECTION VIEW OF MATED CONNECTOR

DO NOT SCALE DRAWING

EC NO. DRWN: CHK: APPR:	EC NO. DRWN: CHK: APPR:	EC NO. DRWN: CHK: APPR:	REVISED 01/10/04	MATERIAL 材料	GENERAL TOLERANCES: (UNLESS SPECIFIED) 一般公差	SCALE 2-1	DESIGN UNITS mm □ mm □ INCH	THIRD ANGLE PROJECTION	DIMENSIONS: mm □ mm □ INCH □ mm ONLY	SHT REVISE ON CAD ONLY	REV
			EC NO. J2002-0786 DRWN: S.AKIYAMA CHK: J.MIYAZAWA APPR: YO.ITO								
A	0	0	RELEASED 01/02/16	FINISH 仕上げ	10 OVER 以上	30 UNDER 未満	±0.25	CHECKED BY & DATE <i>J. Maruwa</i> / 3/06	MATERIAL NO. SEE CHART	DRAWING NO. SD-51238-009	SHEET NO. 2 OF 4
			EC NO. JD2001-1040 DRWN: S.AKIYAMA CHK: J.MIYAZAWA APPR: H.IKESUGI								
				INS. RANGE 被覆外径	ANGLE 角度		±3°	CAD FILE NAME 51238009.S01			

THIS DRAWING CONTAINS INFORMATION THAT IS PROPRIETARY TO MOLEX INCORPORATED AND SHOULD NOT BE USED WITHOUT WRITTEN PERMISSION.

51238009.S02

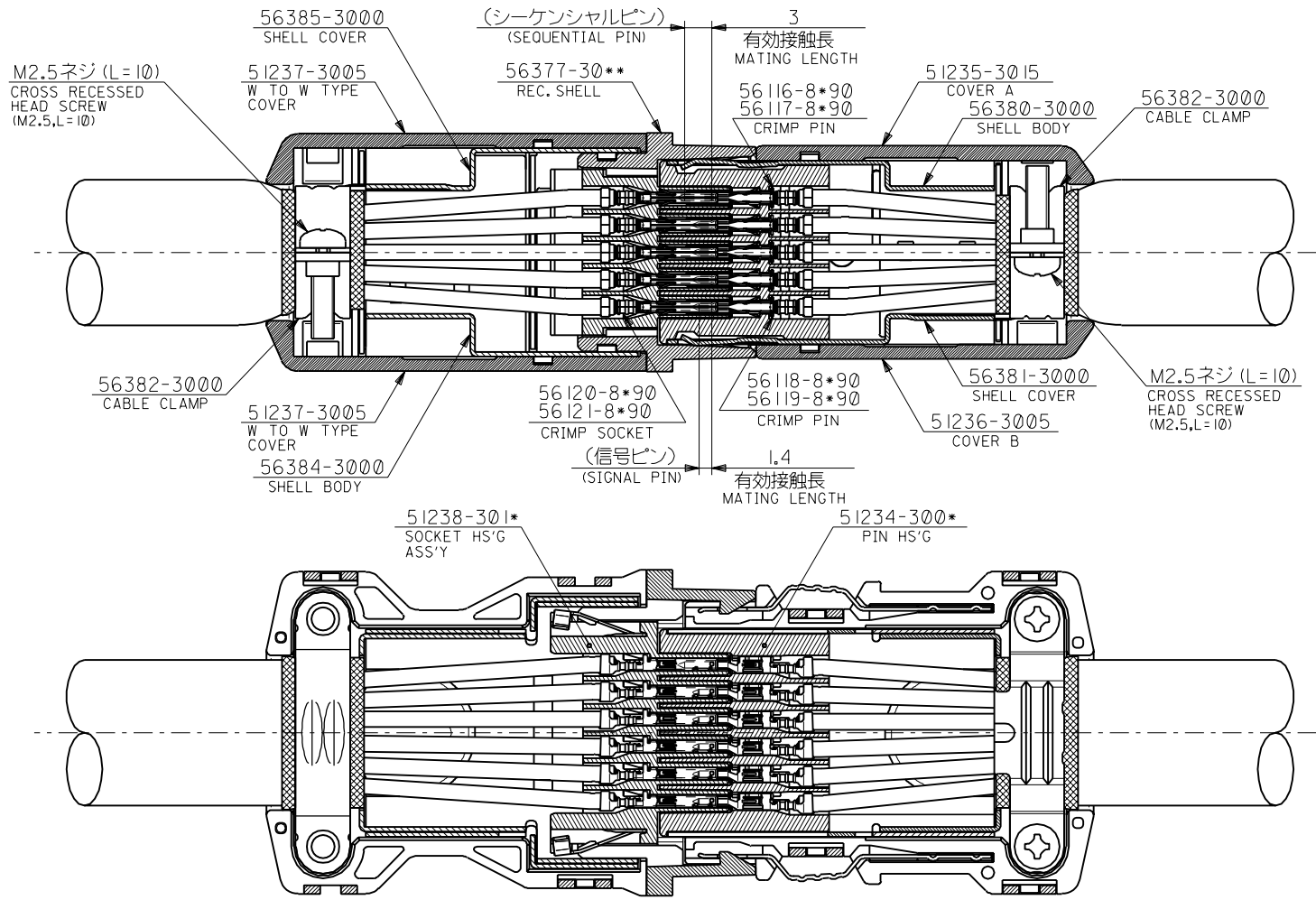


嵌合図 (中継タイプ)
CROSS-SECTION VIEW OF MATED CONNECTOR
(WIRE TO WIRE TYPE)

DO NOT SCALE DRAWING

EC NO. DRWN: CHK: APPR:	EC NO. DRWN: CHK: APPR:	EC NO. DRWN: CHK: APPR:	REVISED 01/10/04	MATERIAL 材料	GENERAL TOLERANCES: (UNLESS SPECIFIED) 一般公差	SCALE	DESIGN UNITS	THIRD ANGLE PROJECTION	DIMENSIONS: <input type="checkbox"/> mm <input type="checkbox"/> INCH	<input checked="" type="checkbox"/> mm ONLY	SHT	REV REVISE ON CAD ONLY
			EC NO. J2002-0786 DRWN: S.AKIYAMA CHK: J.MIYAZAWA APPR: YO.ITO			2-1	<input checked="" type="checkbox"/> mm <input type="checkbox"/> INCH					
A	0	0	RELEASED 01/02/16	FINISH 仕上げ	10 UNDER 未満	±0.2	DRAWN BY & DATE <i>S. Akizawa</i> / 01/25	TITLE: COMPACT ROBOT CONN. (CRC) REC. SOCKET HS'G ASS'Y				
			EC NO. JD2001-1040 DRWN: S.AKIYAMA CHK: J.MIYAZAWA APPR: H.IKESUGI									
				DESCRIPTION	30 OVER 以上	±0.3	APPROVED BY & DATE <i>Ab. Hasegawa</i>	MOLEX INCORPORATED				
				WIRE RANGE 適用配線範囲	ANGLE 角度	±3°	CAD FILENAME 51238009.S03					
				INS. RANGE 被覆外径			THIS DRAWING CONTAINS INFORMATION THAT IS PROPRIETARY TO MOLEX INCORPORATED AND SHOULD NOT BE USED WITHOUT WRITTEN PERMISSION.					SIZE B

DWG. NO. SD-51238-009



嵌合図 (中継タイプ)
 CROSS-SECTION VIEW OF MATED CONNECTOR
 (WIRE TO WIRE TYPE)

DO NOT SCALE DRAWING

EC NO. DRWN: CHK: APPR:	EC NO. DRWN: CHK: APPR:	EC NO. DRWN: CHK: APPR:	REVISED 01/10/04	MATERIAL 材料	GENERAL TOLERANCES: (UNLESS SPECIFIED) 一般公差	SCALE 2-1	DESIGN UNITS mm □ mm □ INCH	THIRD ANGLE PROJECTION	DIMENSIONS: mm □ mm □ INCH □ mm ONLY	SHT REVISE ON CAD ONLY	REV
			EC NO. J2002-0786 DRWN: S. AKIYAMA CHK: J. MIYAZAWA APPR: YO. ITO								
A	0	0	RELEASED 01/02/16	FINISH 仕上げ	10 OVER 以上	30 UNDER 未満	±0.25	APPROVED BY & DATE Y. Ota 1/24/06	MATERIAL NO. SEE CHART	DRAWING NO. SD-51238-009	SHEET NO. 4 OF 4
			EC NO. JD2001-1040 DRWN: S. AKIYAMA CHK: J. MIYAZAWA APPR: H. IKESUGI								
				INS. RANGE 被覆外径	ANGLE 角度		±3°	CAD FILE NAME 51238009.S04			

THIS DRAWING CONTAINS INFORMATION THAT IS PROPRIETARY TO MOLEX INCORPORATED AND SHOULD NOT BE USED WITHOUT WRITTEN PERMISSION.