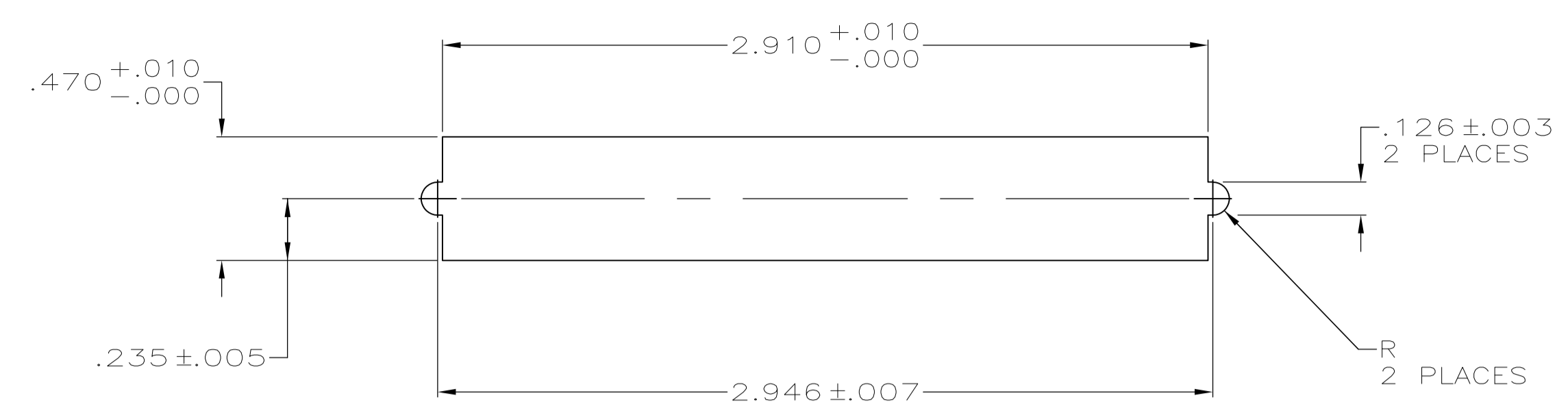
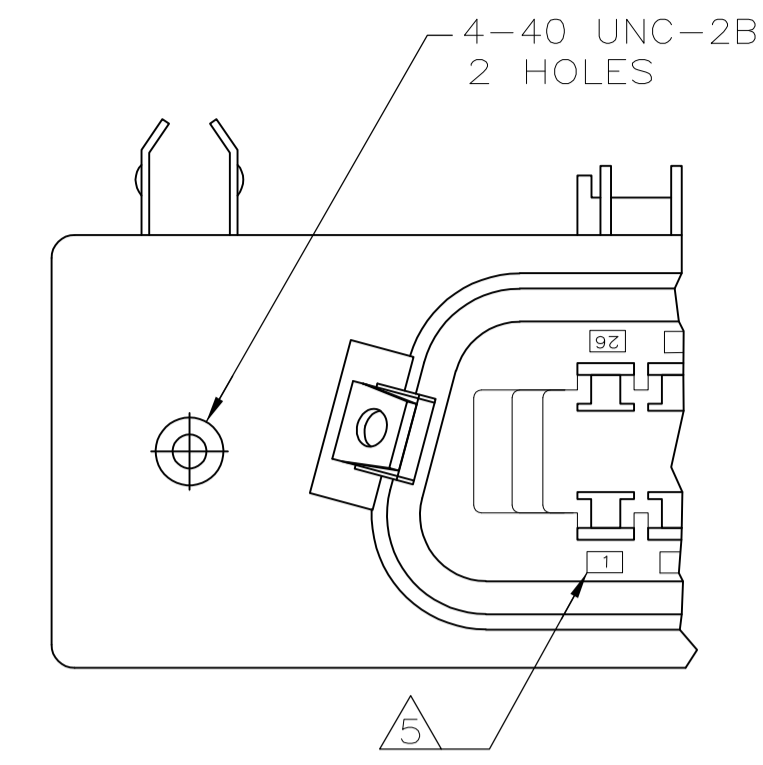


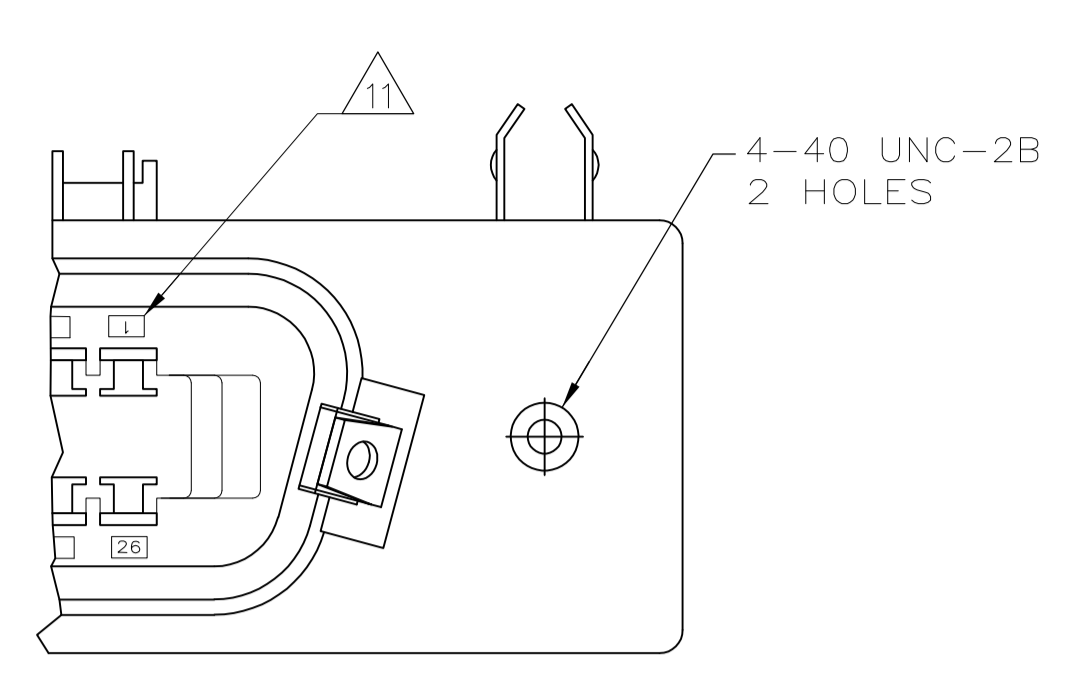
LOC		DIST		REVISIONS			
GP	00	REV	DATE	BY	CHK	APPV	
H		REVISED PER ECO-08-007327	08APR08	BM	WM		
H1		REVISED ECO ECO-09-024717	05NOV09	KK	AEG		



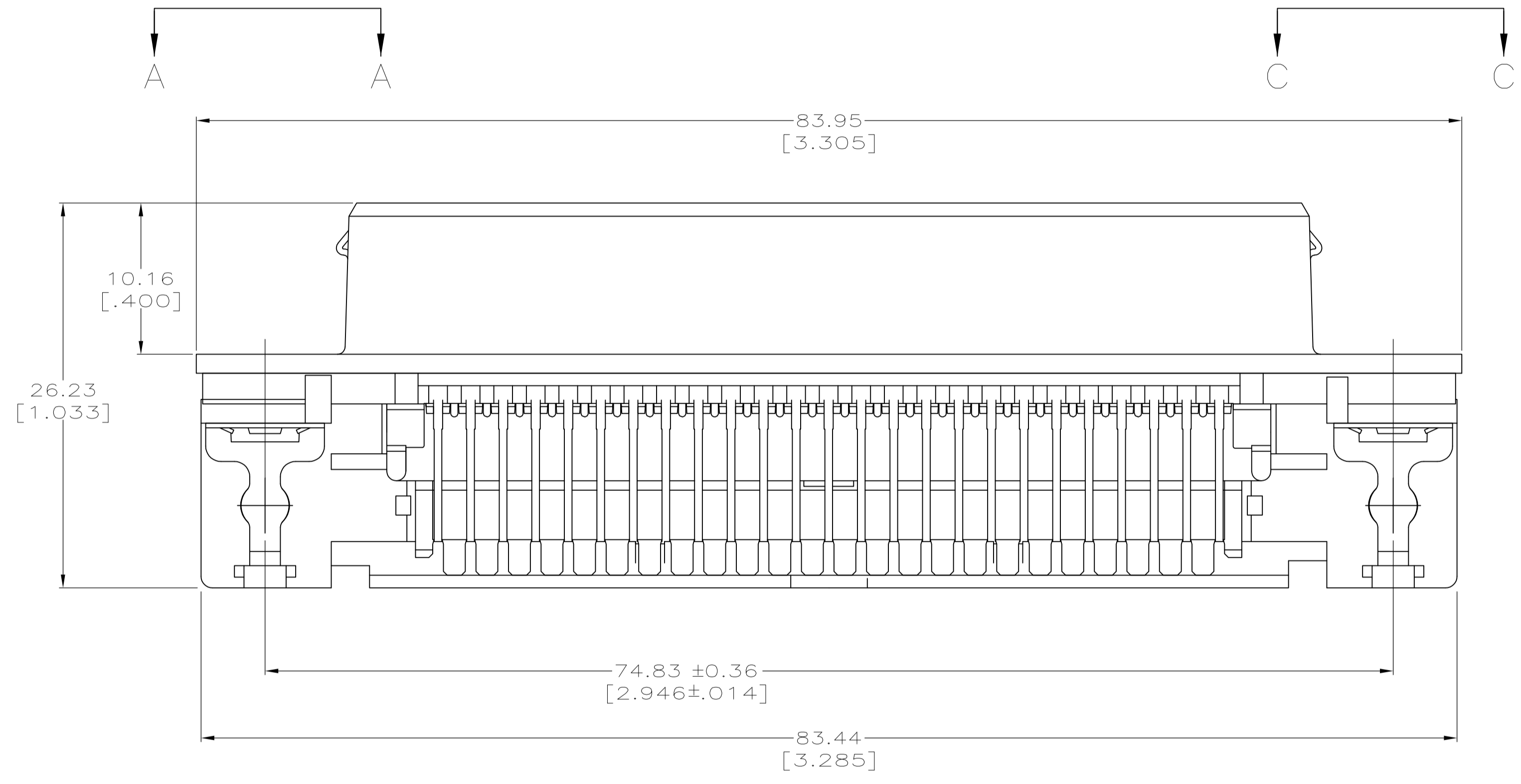
SUGGESTED BRACKET CUTOUT  
 MOUNTING DIMENSIONS  
 SCALE 2:1



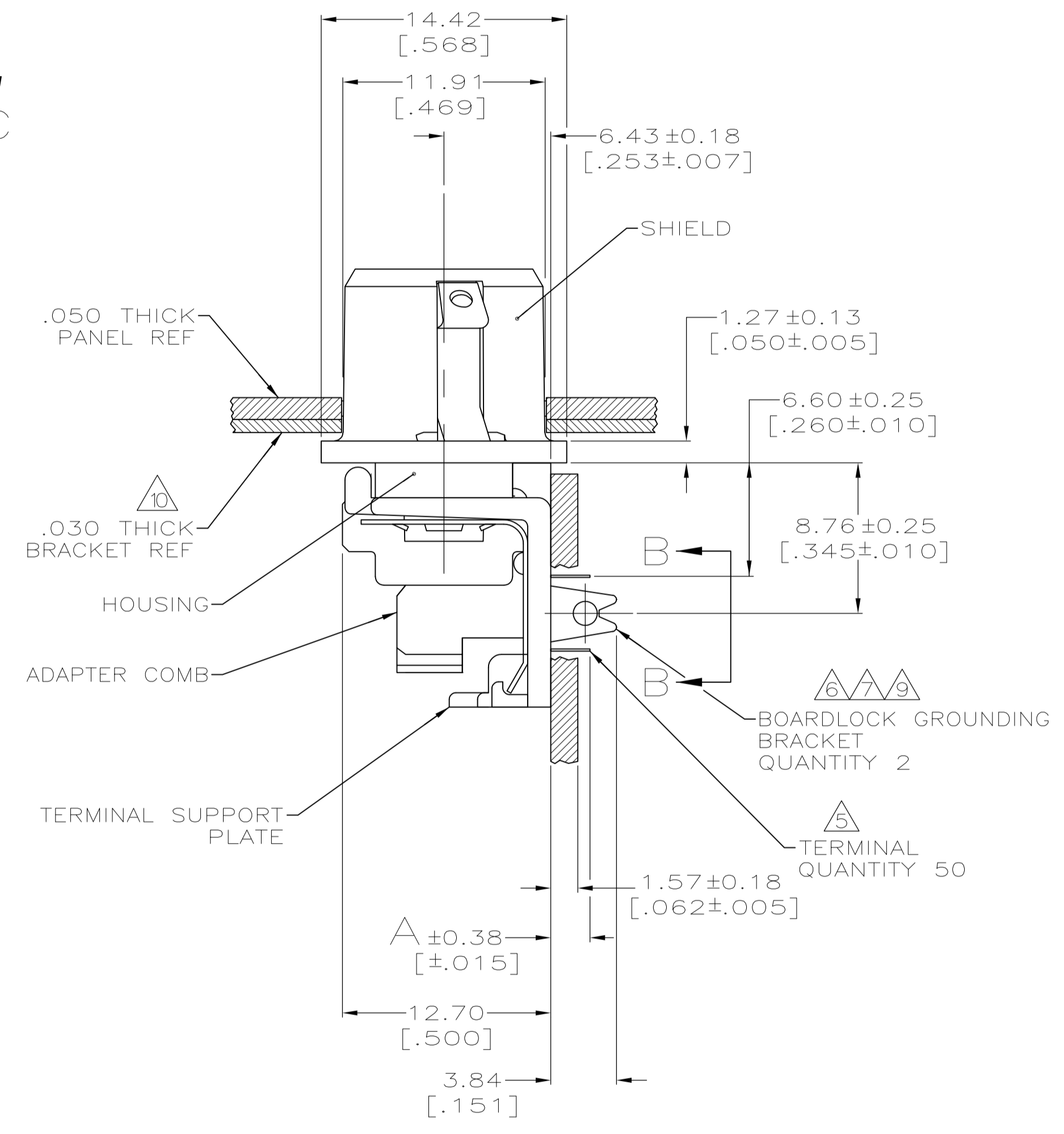
VIEW A-A



VIEW C-C

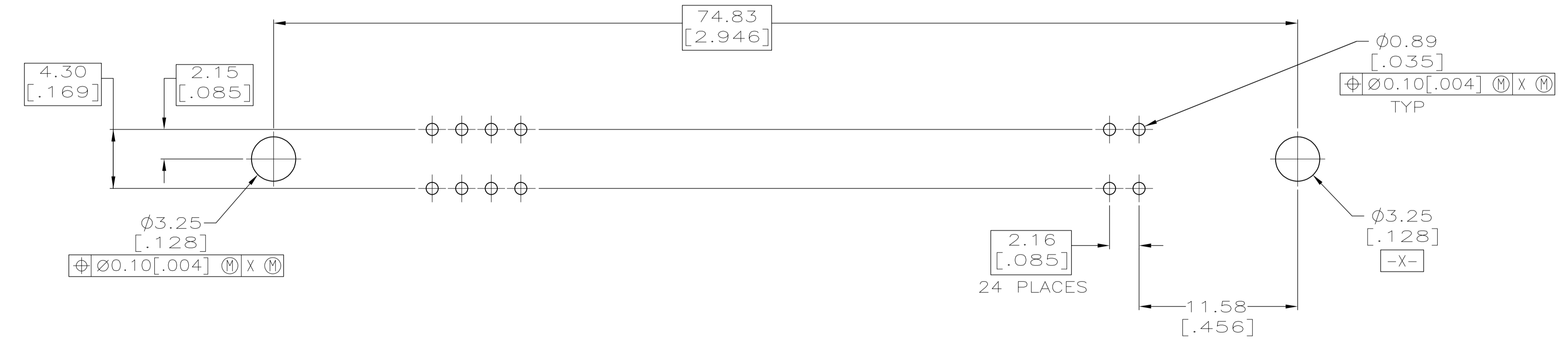


SUGGESTED PRINTED CIRCUIT BOARD  
 MOUNTING DIMENSIONS



VIEW B-B  
 SCALE 8:1

- △ MATERIAL:  
 HOUSING, ADAPTER COMB AND SUPPORT PLATE - POLYESTER, BLACK.  
 TERMINALS - HIGH STRENGTH COPPER ALLOY PLATED WITH EITHER 0.76μm [.000030] MIN GOLD PLATE OR GOLD FLASH OVER PALLADIUM NICKEL PLATE, 0.76μm [.000030] MIN TOTAL ON MATING SURFACE. 3.05μm [.000120] MIN TIN-LEAD PLATE ON TAILS. ALL OVER 1.27μm [.000050] MIN NICKEL UNDERPLATE OVER ENTIRE TERMINAL.  
 SHIELD - BRIGHT NICKEL OVER COPPER PLATED ZINC.  
 BOARDLOCK GROUND BRACKET - TIN-LEAD PLATED CARBON STEEL.
- 2. THE CONTACT SURFACES OF THE TERMINALS ARE COATED WITH LUBRICANT.
- 3. CENTER-TO-CENTER SPACING OF TERMINALS IS 2.16 [.085] NOMINAL.
- △ ALL DIMENSIONS SHOWN ARE MAXIMUM UNLESS OTHERWISE SPECIFIED.
- △ TERMINAL 1 LOCATED IN THIS ROW FOR STANDARD ORIENTATION, SEE VIEW A-A.
- △ BOARDLOCK GROUNDING BRACKET RETAINS CONNECTOR IN 1.58 [.062] THICK PC BOARD WITHOUT ADDITIONAL HARDWARE.
- △ BOARDLOCK GROUNDING BRACKET LOCATES CONNECTOR FLUSH WITH TOP OF PC BOARD AND SPRING LOCKS BENEATH.
- △ CYLINDRICAL SHAPE OFFERS 180° OF SOLDERING SURFACE.
- △ SURFACE AREA OF BOARDLOCK GROUNDING BRACKET BELOW PC BOARD SHALL PASS SOLDERABILITY REQUIREMENTS IN ACCORDANCE WITH AMP SPEC 109-11-2. DISCOLORATION, SCRATCHES, SPOTS AND OTHER COSMETIC DEFICIENCIES TYPICAL OF BARREL PLATING PROCESSES ARE ACCEPTABLE PROVIDING PARTS PASS 24 HOUR EXPOSURE AT 95% RH AT 40° WITHOUT EVIDENCE OF CORROSION.
- △ OPTIONAL BRACKET SUPPLIED BY CUSTOMER.
- △ TERMINAL 1 LOCATED IN THIS ROW FOR REVERSE ORIENTATION, SEE VIEW C-C.
- △ OBSOLETE
- △ OBSOLETE PARTS: OBSOLETE CIS STREAMLINING PER D.RENAUD/D.SINISI



SUPERSEDED	3.175 [.125]	1-26	△ REVERSE, VIEW C-C	1339447-9
△ OBSOLETE	2.29 [.090]	NONE	△ REVERSE, VIEW C-C	1339447-8
OBSOLETE	2.29 [.090]	NONE	△ STANDARD, VIEW A-A	1339447-7
	2.29 [.090]	25-50	△ REVERSE, VIEW C-C	1339447-6
	2.29 [.090]	25-50	△ STANDARD, VIEW A-A	1339447-5
	2.29 [.090]	1-26/25-50	△ REVERSE, VIEW C-C	1339447-4
SUPERSEDED	2.29 [.090]	1-26/25-50	△ STANDARD, VIEW A-A	1339447-3
	2.29 [.090]	1-26	△ REVERSE, VIEW C-C	1339447-2
	2.29 [.090]	1-26	△ STANDARD, VIEW A-A	1339447-1

THIS DRAWING IS A CONTROLLED DOCUMENT.

DIMENSIONS: mm [INCHES]	TOLERANCES UNLESS OTHERWISE SPECIFIED:	0 PLC ±	1 PLC ±	2 PLC ±	3 PLC ±	4 PLC ±	ANGLES ±
MATERIAL	FINISH	WEIGHT					

APPROVED: A.W. REID, Tyco Electronics Corporation, Harrisburg, PA 17105-3608. DRAWING NO: 1339447. SCALE: 4:1. SHEET 1 OF 1. REV H1.