


# Flush-type connector - SACC-CI-M12FS-5CON-L90 SCO - 1436644

Please be informed that the data shown in this PDF Document is generated from our Online Catalog. Please find the complete data in the user's documentation. Our General Terms of Use for Downloads are valid (<http://download.phoenixcontact.com>)



Sensor/actuator flush-type connector, socket, 5-pos., A-coded, with angled solder connection, only contact insert

## Key commercial data

Packing unit	0
Minimum order quantity	20
Catalog page	Page 52 (PC-2011)
GTIN	 4 046356 438711
Custom tariff number	85366990
Country of origin	GERMANY

## Technical data

### General data

Rated current at 40°C	4 A
Rated voltage	60 V
Number of positions	5
Volume resistance	≤ 3 mΩ
Insulation resistance	≥ 100 MΩ
Ambient temperature (operation)	-25 °C ... 85 °C (Male connector / female connector)

### General characteristics

Standards/regulations	M12 connector IEC 61076-2-101
Coding	A - standard
Surge voltage category	II
Pollution degree	3
Degree of protection	IP67
Contact material	CuZn
Contact surface material	Au
Contact carrier material	PA 66
Sealing material	FKM / EPDM
Mounting type	PCB mounting

# Flush-type connector - SACC-CI-M12FS-5CON-L90 SCO - 1436644

## Technical data

### General characteristics

Connection method	Solder pins
Status display	No

## Classifications

### eclass

eCl@ss 4.0	27060306
eCl@ss 4.1	27060306
eCl@ss 5.0	27061801
eCl@ss 5.1	27260701
eCl@ss 6.0	27279220
eCl@ss 7.0	27440103

### etim

ETIM 3.0	EC002061
ETIM 4.0	EC002061

### unspsc

UNSPSC 6.01	31251501
UNSPSC 7.0901	31251501
UNSPSC 11	31251501
UNSPSC 12.01	31251501
UNSPSC 13.2	31251501

## Approvals

### Approvals

---

Approvals

UL Recognized

---

Ex Approvals

---


Approvals submitted

---

### Approval details

# Flush-type connector - SACC-CI-M12FS-5CON-L90 SCO - 1436644

## Approvals

UL Recognized 	
mm <sup>2</sup> /AWG/kcmil	26-2
Nominal current I <sub>N</sub>	4 A
Nominal voltage U <sub>N</sub>	60 V

## Accessories

### Accessories

#### Housing screw connection

Housing screw connection - SACC-M12-SCO NUT - 1552243



M12 SPEEDCON housing screw connection for M12 female inserts, with O-ring, for all SPEEDCON-capable THR and wave soldering contact carriers

Housing screw connection - SACC-M12 NUT PRESS - 1437889



M12 socket, housing screw connection, press-in version, for all Speedcon-compatible THR and wave soldering contact carriers

Housing screw connection - SACC-M12 PLUG PRESS - 1437892



M12 pin, housing screw connection, press-in version, for all Speedcon-compatible THR and wave soldering contact carriers

### Necessary add-on products

Housing screw connection - SACC-M12-SCO NUT L 90 - 1432460



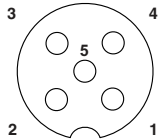
M12-SPEEDCON housing screw connection for M12 female inserts, with flat gasket, for all Speedcon-compatible THR and wave soldering contact carriers

# Flush-type connector - SACC-CI-M12FS-5CON-L90 SCO - 1436644

## Accessories

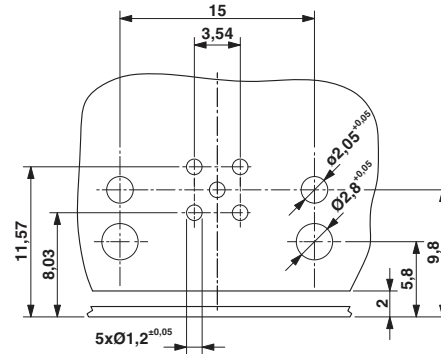
### Drawings

#### Schematic diagram



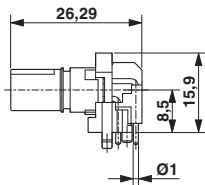
Pin assignment M12 socket, 5-pos., A-coded, socket side view

#### Drilling diagram



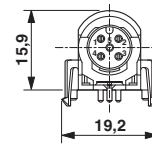
Drilling diagram only valid in connection with the SACC-M12-SCO NUT L90 housing (order no. 1432460)

#### Dimensioned drawing



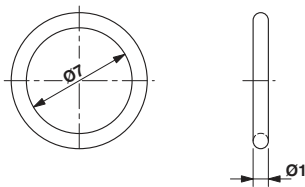
M12 flush-type connector, socket, contact carrier, side view

#### Dimensioned drawing



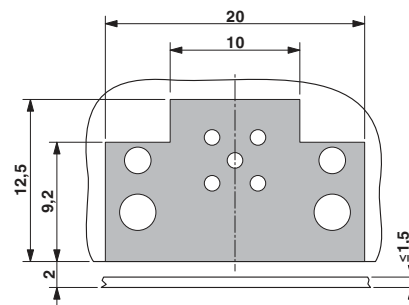
M12 flush-type connector, socket, contact carrier, front view

#### Dimensioned drawing



Optionally with O-ring (green) for tight seal when plugged in.  
 - the axial mating force of 80 N per connector may not be exceeded when using with assembled O-ring!  
 - Avoid radial forces!

#### Dimensioned drawing



Locked area on the PCB