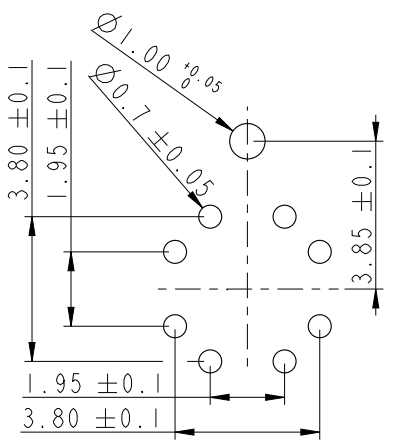
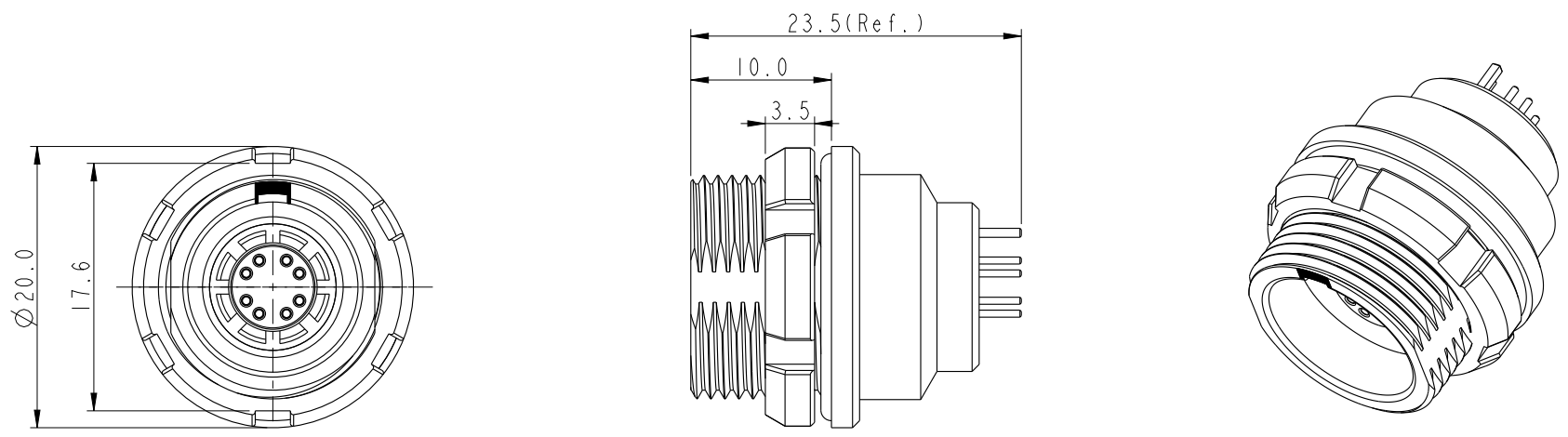
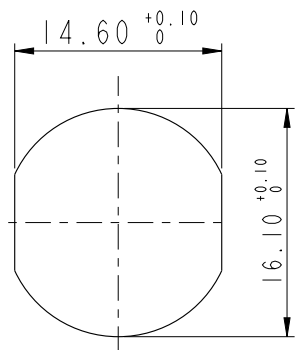


THIS DOCUMENT IS SUBJECT TO CHANGE WITHOUT NOTICE. IT IS CONFIDENTIAL AND A PROPERTY OF Amphenol LTW. DISCLOSURE TO THIRD PARTY HAS TO BE AUTHORIZED BY Amphenol LTW.

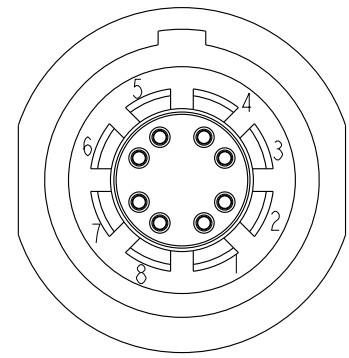
REV.	ECN NO.	DATE	SIGN	DESCRIPTION



PCB Layout



Recommended panel Cut-out



Pin Assignments
Front View

- Note:
- * RoHS Compliant
 - * \varnothing Important Dimension
 - * Waterproof Rate: IPX8, Unmated 1m/24h
 - * Connector
 - Housing: Thermoplastic, Black
 - Pin: Copper Alloy, Gold Plated
 - O-Ring: Rubber, Black
 - * Shield: Metal
 - * Nut: Metal
 - * O-Ring: Rubber, Red
 - * For Panel Thickness Max 5.0mm
 - * O-Ring and nut are assembled on connectors

UNIT: mm		
TOLERANCE		
$\pm 0.5\text{mm}$		

TITLE FLO C SIZE CAT 6A PANEL 8P			
SCALE 1:1	SIZE A4	SHEET 1 OF 1	
REV. A	WC-REV. .0	\varnothing Inspection item	

Amphenol LTW
安費諾亮泰企業股份有限公司

ITEM NO SLKC-A08EEFP-GCP-001	DRAWN BY Ouyang	DATE 2021-09-08
DWG NO SLKC-A08EEFP-GCP-001	CHECKED BY Jerry	DATE 2021-09-08
CUSTOMER ALTW	APPROVED BY Fred	DATE 2021-09-08