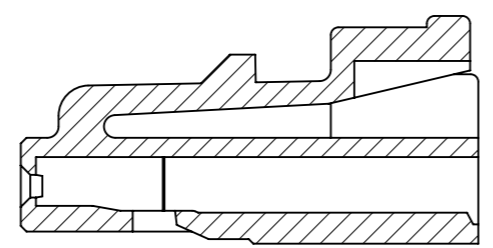
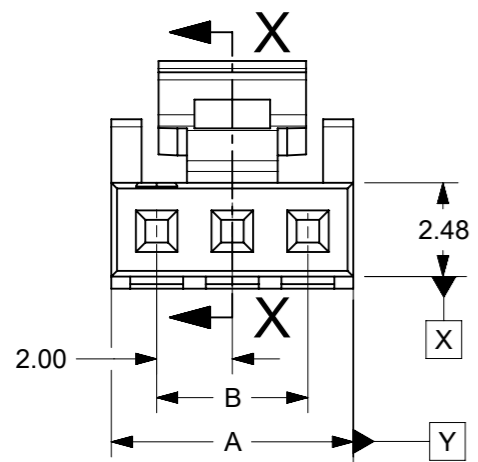
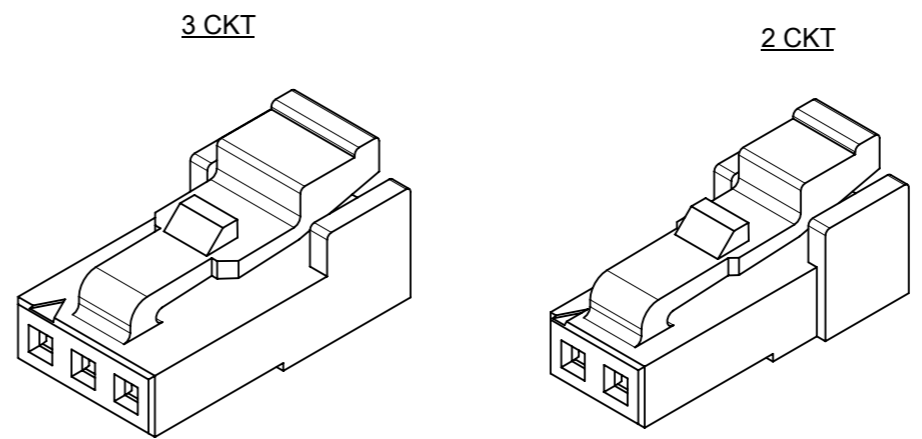
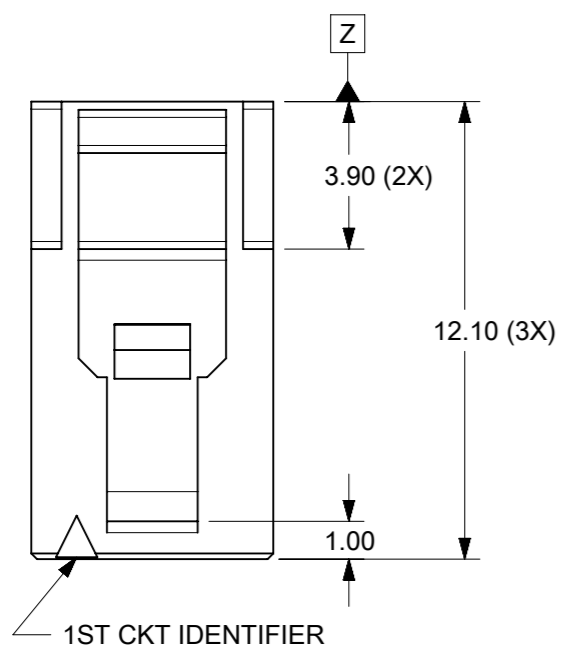
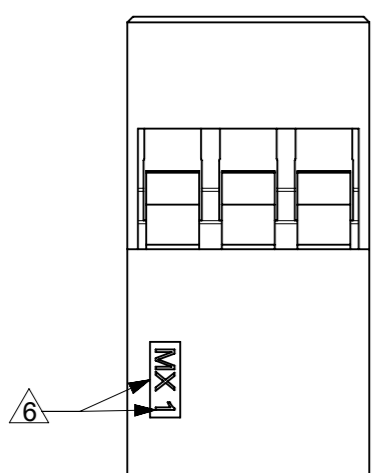
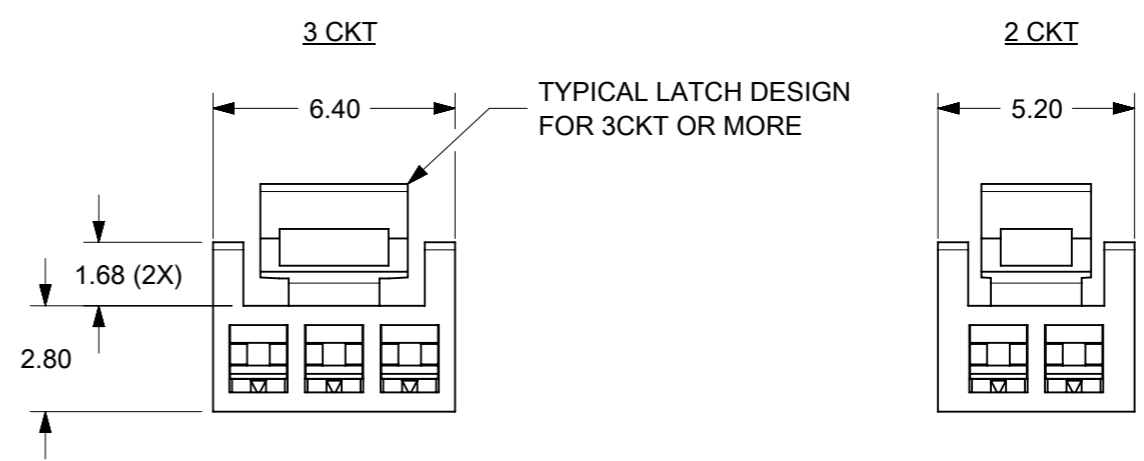


MATERIAL NO.	CKT SIZE	DIM A	DIM B
1511000002	2	5.20	2.00
1511000003	3	6.40	4.00
1511000004	4	8.40	6.00
1511000005	5	10.40	8.00
1511000006	6	12.40	10.00
1511000007	7	14.40	12.00
1511000008	8	16.40	14.00
1511000009	9	18.40	16.00
1511000010	10	20.40	18.00



SECTION X-X

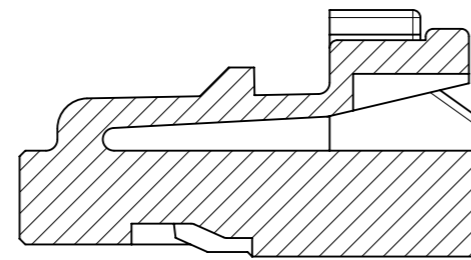
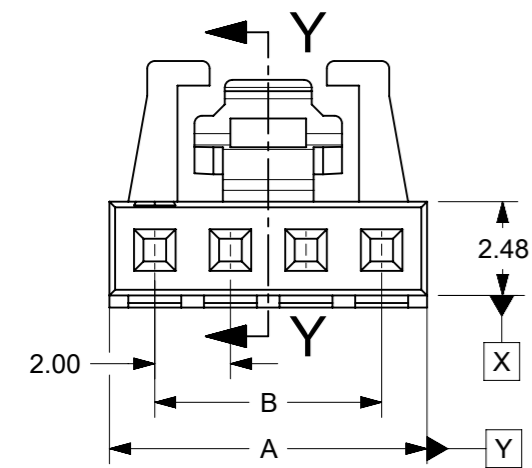
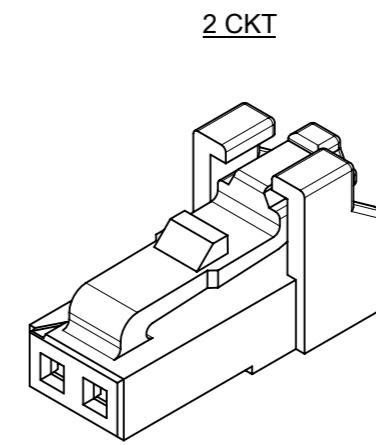
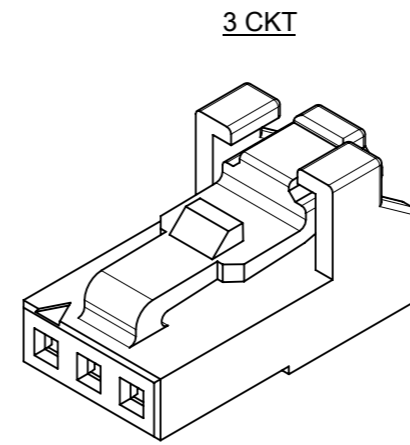
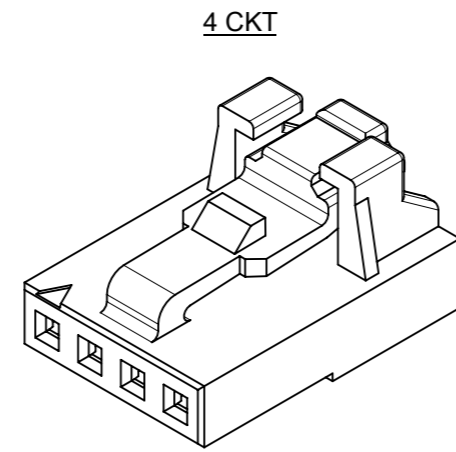
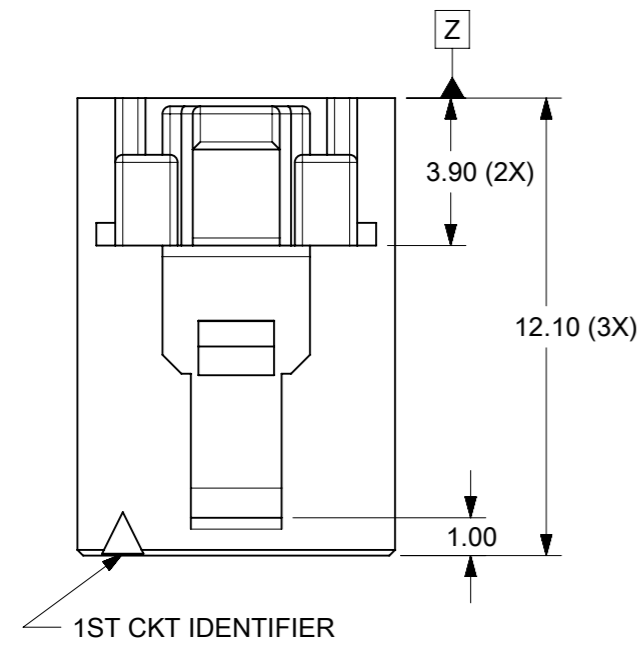


- NOTES:
1. MATERIAL: NON GLASS FILLED THERMOPLASTIC, BLACK, UL94V-0.
 2. PRODUCT SPECIFICATIONS: PS-151062-0001.
 3. PACKAGING: TRAY.
PACKAGING SPECIFICATION: PK-151100-0001.
 4. HOUSING TO BE ASSEMBLED WITH MOLEX FEMALE CRIMP TERMINAL: 50394-****.
 5. HOUSING TO BE MATED WITH MOLEX PCB HEADER AND CRIMP HEADER SERIES: 151062, 151063, 151064, 151065, 151098
 6. MANUFACTURER ID AND CAVITY NO. IS LOCATED APPROXIMATELY AS SHOWN.

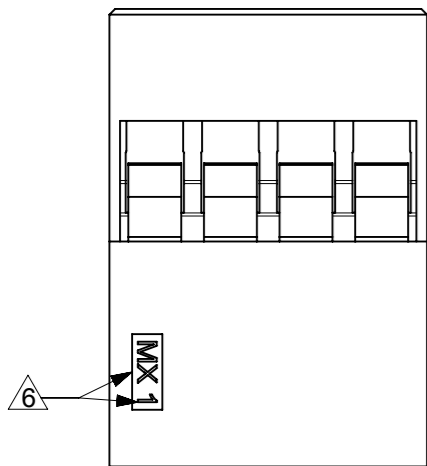
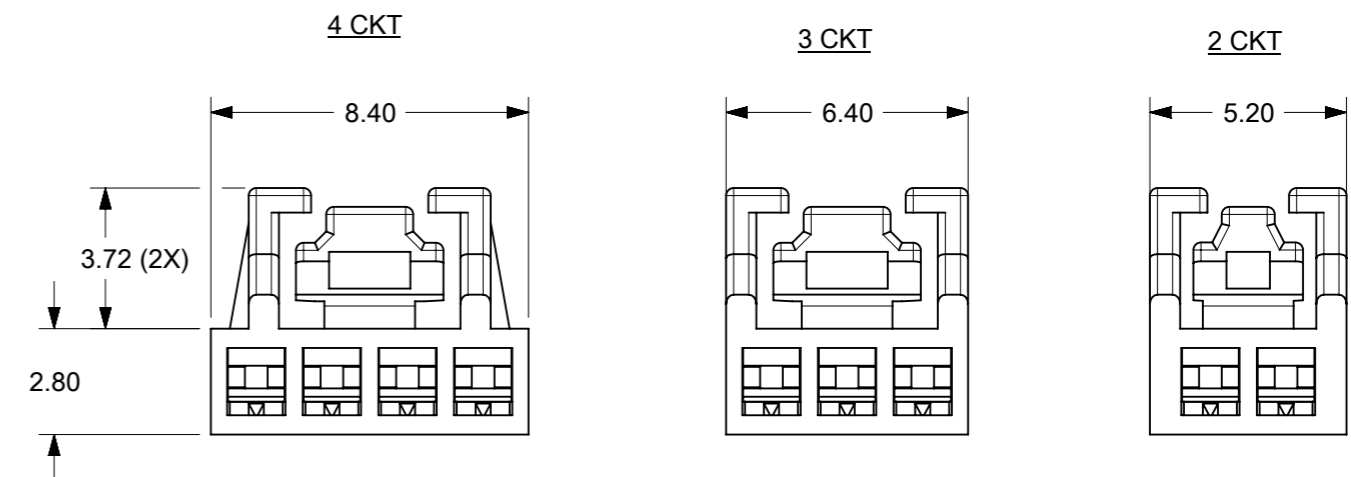
FUNCTIONAL SYMBOLS	THIS DRAWING CONTAINS INFORMATION THAT IS PROPRIETARY TO MOLEX ELECTRONIC TECHNOLOGIES, LLC AND SHOULD NOT BE USED WITHOUT WRITTEN PERMISSION			
	$\nabla_A = 0$ $\nabla_E = 0$ $\nabla_{E'} = 0$	DIMENSION UNITS: mm SCALE: NTS		
DIVISIONAL SYMBOLS	GENERAL TOLERANCES (UNLESS SPECIFIED)		SALES DRAWING	
	ANGULAR TOL $\pm 3.0^\circ$		CRIMP RECEPTACLE HOUSING SINGLE ROW MILLIGRID	
	4 PLACES \pm	EC NO: 708408	PRODUCT CUSTOMER DRAWING	
	3 PLACES \pm	DRWN: PAWANC 2022/04/29	DOCUMENT NUMBER: SD-151100-0001	
2 PLACES ± 0.2	CHK'D: DANUSA 2022/05/27	DOC TYPE: PSD		
1 PLACE \pm	APPR: MRAMAKRISHNA 2022/05/30	DOC PART: 001		
0 PLACES \pm	INITIAL REVISION:	REVISION: B		
DRAFT WHERE APPLICABLE MUST REMAIN WITHIN DIMENSIONS	DRWN: FCSSO 2015/01/07	MATERIAL NUMBER: SEE TABLE		
	APPR: KHLIM 2015/07/02	CUSTOMER: GENERAL MARKET		
THIRD ANGLE PROJECTION	DRAWING: A3-SIZE	SERIES: 151100	SHEET NUMBER: 1 OF 2	

WITH LATCH STOPPER

MATERIAL NO.	CKT SIZE	DIM A	DIM B
1511000102	2	5.20	2.00
1511000103	3	6.40	4.00
1511000104	4	8.40	6.00
1511000105	5	10.40	8.00
1511000106	6	12.40	10.00
1511000107	7	14.40	12.00
1511000108	8	16.40	14.00
1511000109	9	18.40	16.00
1511000110	10	20.40	18.00



SECTION Y-Y



FUNCTIONAL SYMBOLS	THIS DRAWING CONTAINS INFORMATION THAT IS PROPRIETARY TO MOLEX ELECTRONIC TECHNOLOGIES, LLC AND SHOULD NOT BE USED WITHOUT WRITTEN PERMISSION	CURRENT REV DESC: REMASTERED IN ECTR AND ADDED SHEET 2																														
	<table border="1"> <tr> <th>FUNCTIONAL SYMBOLS</th> <th>DIMENSION UNITS</th> <th>SCALE</th> </tr> <tr> <td>$\nabla_A = 0$</td> <td>mm</td> <td>NTS</td> </tr> <tr> <td colspan="3">GENERAL TOLERANCES (UNLESS SPECIFIED)</td> </tr> <tr> <td>$\nabla_E = 0$</td> <td colspan="2">ANGULAR TOL $\pm 3.0^\circ$</td> </tr> <tr> <td>$\nabla_F = 0$</td> <td>4 PLACES</td> <td>\pm</td> </tr> <tr> <td></td> <td>3 PLACES</td> <td>\pm</td> </tr> <tr> <td></td> <td>2 PLACES</td> <td>± 0.2</td> </tr> <tr> <td></td> <td>1 PLACE</td> <td>\pm</td> </tr> <tr> <td></td> <td>0 PLACES</td> <td>\pm</td> </tr> </table>	FUNCTIONAL SYMBOLS	DIMENSION UNITS				SCALE	$\nabla_A = 0$	mm	NTS	GENERAL TOLERANCES (UNLESS SPECIFIED)			$\nabla_E = 0$	ANGULAR TOL $\pm 3.0^\circ$		$\nabla_F = 0$	4 PLACES	\pm		3 PLACES	\pm		2 PLACES	± 0.2		1 PLACE	\pm		0 PLACES	\pm	EC NO: 708408 DRWN: PAWANC 2022/04/29 CHK'D: DANUSA 2022/05/27 APPR: MRAMAKRISHNA 2022/05/30
FUNCTIONAL SYMBOLS	DIMENSION UNITS	SCALE																														
$\nabla_A = 0$	mm	NTS																														
GENERAL TOLERANCES (UNLESS SPECIFIED)																																
$\nabla_E = 0$	ANGULAR TOL $\pm 3.0^\circ$																															
$\nabla_F = 0$	4 PLACES	\pm																														
	3 PLACES	\pm																														
	2 PLACES	± 0.2																														
	1 PLACE	\pm																														
	0 PLACES	\pm																														
DIVISIONAL SYMBOLS	DRAFT WHERE APPLICABLE MUST REMAIN WITHIN DIMENSIONS		THIRD ANGLE PROJECTION	DRAWING A3-SIZE	SERIES 151100	DOCUMENT NUMBER SD-151100-0001	DOC TYPE PSD	DOC PART 001	REVISION B																							
MATERIAL NUMBER SEE TABLE			CUSTOMER GENERAL MARKET			SHEET NUMBER 2 OF 2																										