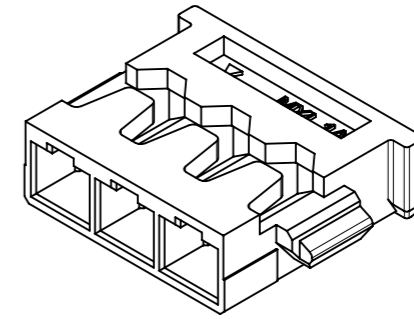
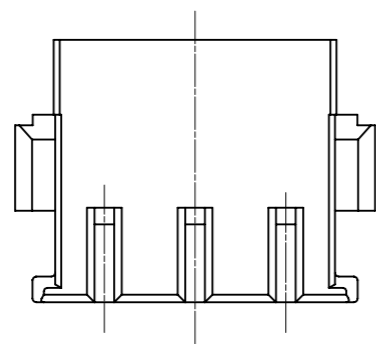
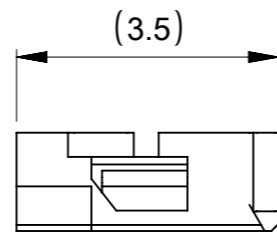
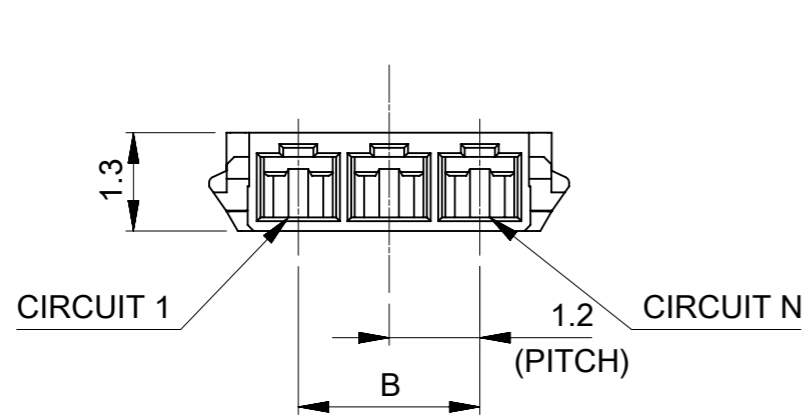
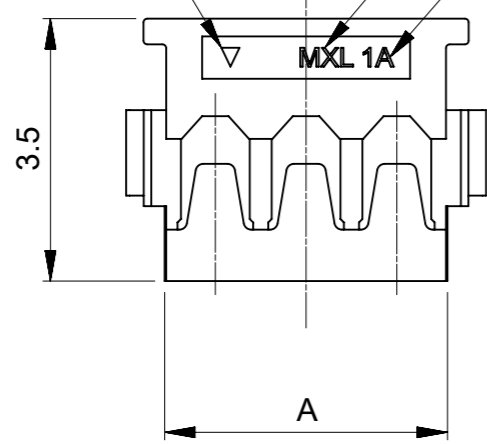


CIRCUIT 1 INDICATOR MARK
 TRADE MARK
 CAV & MOLD No



NOTES

- 1 材料：TABLE 1 参照
MATERIAL：SEE TABLE 1
- 2 適合製品及び各種仕様書はSHEET 2 をご参考ください。
PLEASE REFER TO SHEET 2 FOR APPLICABLE PRODUCTS AND VARIOUS SPECIFICATIONS.

4.8	6.2	781720005	5
3.6	5.0	781720004	4
2.4	3.8	781720003	3
1.2	2.6	781720002	2
B	A	オーダー番号 ORDER No	極数 CIRCUIT SIZE
		梱包形態: ポリ袋 PACKAGING: POLYBAG	

TABLE 1

部品 PART	材質 MATERIAL
ハウジング HOUSING	液晶ポリマー LCP, ガラス充填, UL94 V-0 色 : 黒 LIQUID CRYSTAL POLYMER (LCP), GLASS FILLED, UL94 V-0, COLOR: BLACK

THIS DRAWING CONTAINS INFORMATION THAT IS PROPRIETARY TO MOLEX ELECTRONIC TECHNOLOGIES, LLC AND SHOULD NOT BE USED WITHOUT WRITTEN PERMISSION		CURRENT REV DESC: REDRAWN		molex	
DIMENSION UNITS mm	SCALE NTS	GENERAL TOLERANCES (UNLESS SPECIFIED)			
ANGULAR TOL ± 3.0°		EC NO: 677114		PRODUCT CUSTOMER DRAWING	
4 PLACES ± 0.2		DRWN: SNAKAMURA08 2018/06/21		DOCUMENT NUMBER	
3 PLACES ± 0.2		CHK'D: SAKIYAMA 2022/06/06		781720000-SD	
2 PLACES ± 0.2		APPR: AIDA 2022/06/07		DOC TYPE DOC PART REVISION	
1 PLACE ± 0.2		INITIAL REVISION:		PSD 000 A	
0 PLACES ± 0.2		DRWN: SNAKAMURA08 2018/06/21		MATERIAL NUMBER	
DRAFT WHERE APPLICABLE MUST REMAIN WITHIN DIMENSIONS		APPR: AIDA 2022/06/07		CUSTOMER	
THIRD ANGLE PROJECTION		DRAWING		SHEET NUMBER	
A3-SIZE		SERIES		1 OF 2	
78172		MATERIAL NUMBER		SEE CHART	
GENERAL		CUSTOMER		GENERAL	

△ 2 適合製品及び各種仕様書
 APPLICABLE PRODUCTS AND VARIOUS SPECIFICATIONS

梱包仕様書 PACKAGING SPECIFICATION	PART NUMBER		SPECIFICATION NUMBER
	78172000*		SPK-78172-001
適合圧着端子 APPLICABLE CRIMP TERMINAL	PART NUMBER	PLATING TYPE	MATERIAL
	781720410	GOLD	りん青銅 PHOSPHOR BRONZE
	781720411		コルソン銅 CORSON COPPER
適合嵌合相手 MATE WITH	SMT		
製品番号 PART NUMBER	GOLD PLATING 78171000*		
製品仕様書 PRODUCT SPECIFICATION	781710000-PS PS 000		
アプリケーション仕様書 APPLICATION SPECIFICATION	AS-78172-001		

製品嵌合図は嵌合相手図面参照のこと。
 MATING VIEW: REFER TO "MATE WITH" PART DRAWINGS.

THIS DRAWING CONTAINS INFORMATION THAT IS PROPRIETARY TO MOLEX ELECTRONIC TECHNOLOGIES, LLC AND SHOULD NOT BE USED WITHOUT WRITTEN PERMISSION									
DIMENSION UNITS	SCALE	CURRENT REV DESC: REDRAWN				molex			
mm	NTS					PICO-EZMATE 1.2 WIRE TO BOARD CONNECTOR 2-5 CKT RECEPTACLE HOUSING			
GENERAL TOLERANCES (UNLESS SPECIFIED)		EC NO: 677114				PRODUCT CUSTOMER DRAWING			
ANGULAR TOL ± 3.0 °		DRWN: SNAKAMURA08 2018/06/21				DOCUMENT NUMBER			
4 PLACES ± 0.2		CHK'D: SAKIYAMA 2022/06/06				781720000-SD			
3 PLACES ± 0.2		APPR: AIDA 2022/06/07				PSD 000 A			
2 PLACES ± 0.2		INITIAL REVISION:				DOC TYPE			
1 PLACE ± 0.2		DRWN: SNAKAMURA08 2018/06/21				DOC PART			
0 PLACES ± 0.2		APPR: AIDA 2022/06/07				REVISION			
DRAFT WHERE APPLICABLE MUST REMAIN WITHIN DIMENSIONS		THIRD ANGLE PROJECTION	DRAWING	SERIES	MATERIAL NUMBER	CUSTOMER	SHEET NUMBER		
			A3-SIZE	78172	SEE CHART	GENERAL	2 OF 2		