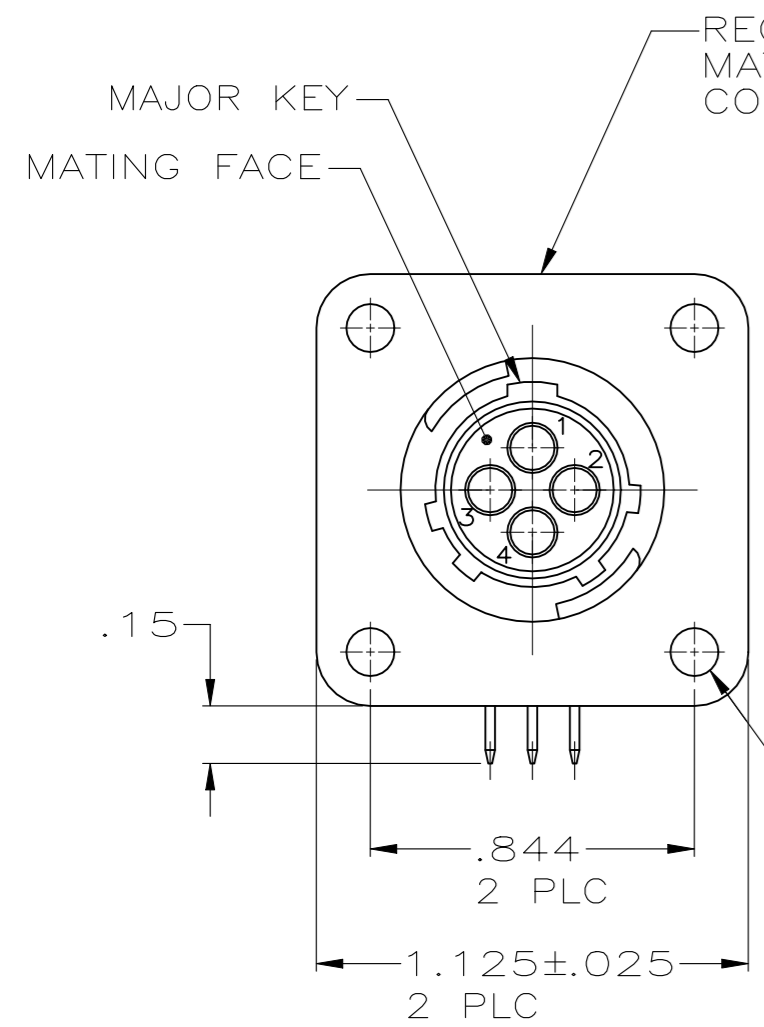
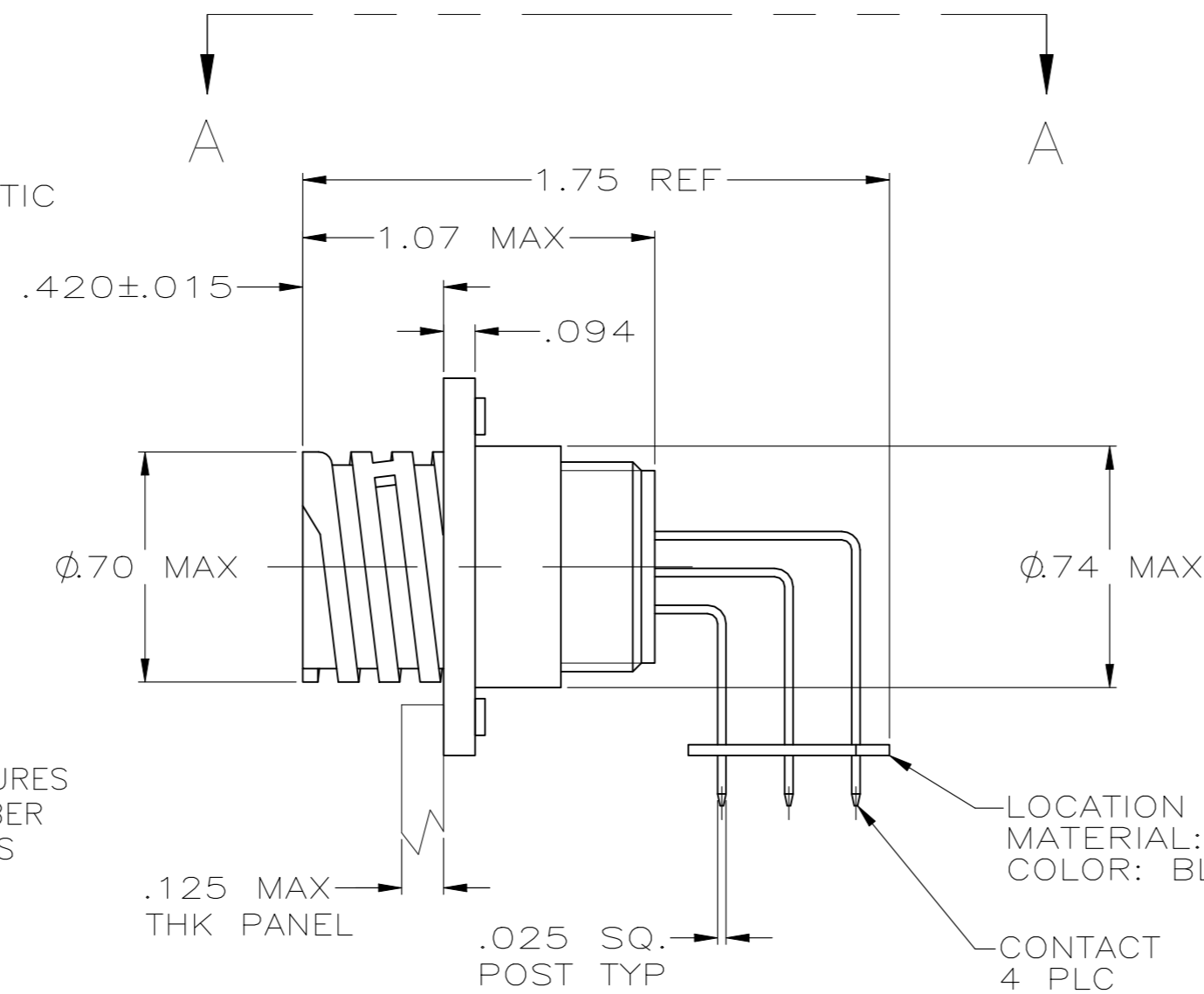


| REVISIONS |     |                           |           |     |      |
|-----------|-----|---------------------------|-----------|-----|------|
| P         | LTR | DESCRIPTION               | DATE      | DWN | APVD |
| B2        |     | REVISED PER ECR-22-150467 | 26AUG2022 | RK  | MZ   |

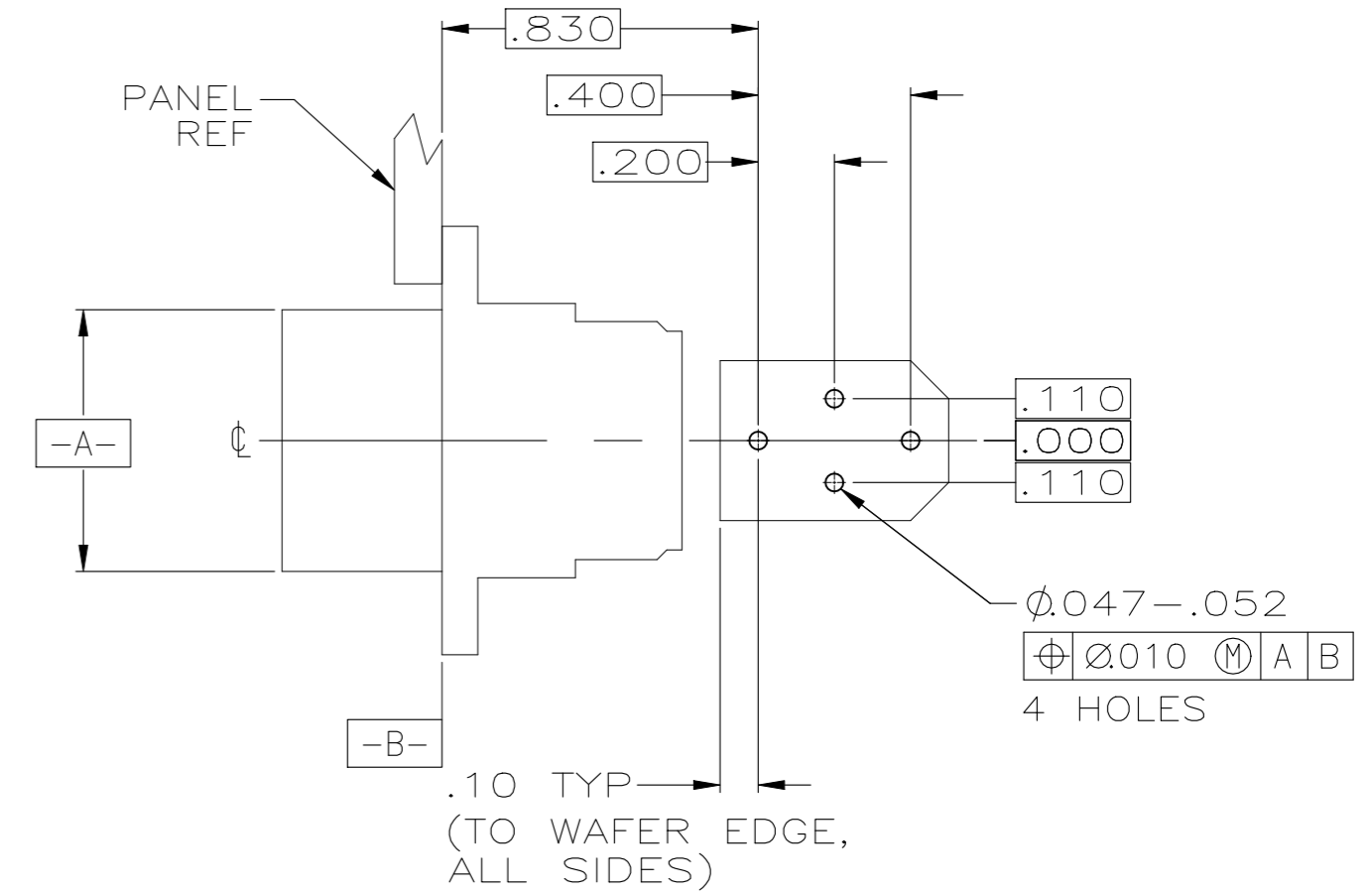


RECEPTACLE  
MATL: THERMOPLASTIC  
COLOR: BLACK

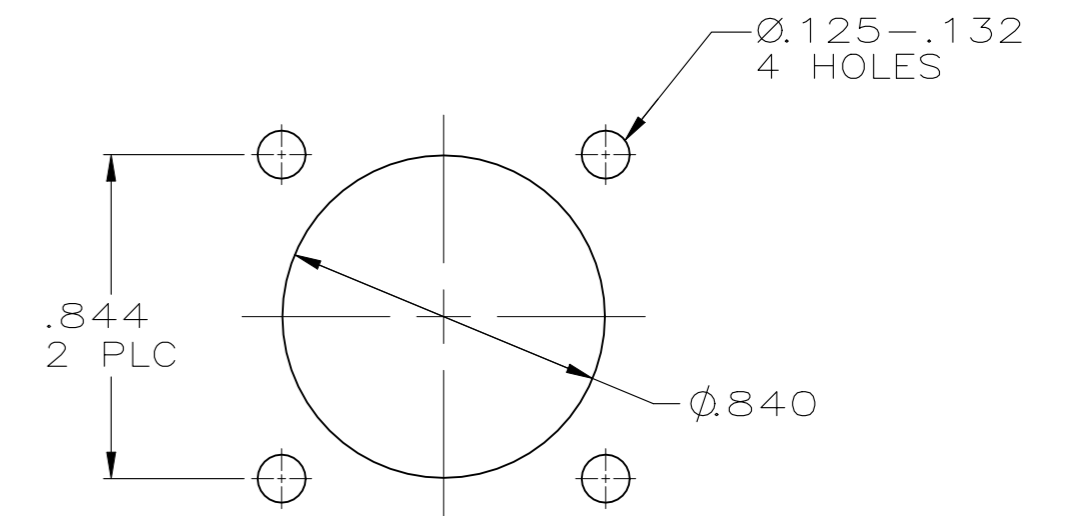
MOUNTING FEATURES  
SEE PART NUMBER  
CHART 4 PLACES



LOCATION WAFER  
MATERIAL: PHENOLIC  
COLOR: BLACK



VIEW A-A  
RECOMMENDED PC BOARD LAYOUT



RECOMMENDED  
PANEL CUTOUT

- CONTACT CAVITIES IDENTIFIED BY CHARACTERS ON FRONT AND REAR FACES OF CONNECTOR.
- #4 FASTENER RECOMMENDED FOR MOUNTING.
- CONTACT BODY: .000030 MIN GOLD FOR A LENGTH OF .200 MIN FROM MATING END, WITH REMAINDER TO BE GOLD FLASH, BOTH OVER .000050 MIN NICKEL.  
CONTACT POST: .000100 MIN TIN-LEAD OVER .000100 MIN COPPER.
- PC BOARD HOLE PATTERN IS DEFINED RELATIVE TO CONNECTOR C.L. AND PANEL MOUNTING FACE INDICATED.
- CONTACT BODY: .000030 MIN GOLD FOR A LENGTH OF .200 MIN FROM MATING END, WITH REMAINDER TO BE GOLD FLASH, BOTH OVER .000050 MIN NICKEL.  
CONTACT POST: .000100 MIN TIN OVER .000100 MIN COPPER.

|                               |                |             |
|-------------------------------|----------------|-------------|
| #4-40 THREADED INSERTS, BRASS | 5              | 1-796407-2  |
| Ø.125 ± .005 HOLES            | 5              | 1-796407-1  |
| OBSOLETE Ø.125 ± .005 HOLES   | 3              | 796407-1    |
| MOUNTING FEATURES             | CONTACT FINISH | PART NUMBER |

|  |  |                             |   |               |
|--|--|-----------------------------|---|---------------|
| THIS DRAWING IS A CONTROLLED DOCUMENT. |  | DWN<br>HAMNER<br>3-20-00    |   |               |
| DIMENSIONS:<br>INCHES                  |  | CHK<br>M.CHACKO<br>3-23-00  |   |               |
| TOLERANCES UNLESS OTHERWISE SPECIFIED: |  | APVD<br>M.CHACKO<br>3-23-00 | NAME  |               |
| 0 PLC ± -                              |  | PRODUCT SPEC                | RECEPTACLE ASSY, POSTED, RT ANGLE,<br>RVS SEX, SIZE 11-4, SERIES 1, CPC |               |
| 1 PLC ± -                              |  | APPLICATION SPEC            | -   |               |
| 2 PLC ± .03                            |  | WEIGHT                      | SIZE  | RESTRICTED TO |
| 3 PLC ± .010                           |  | -                           | A2  | -             |
| 4 PLC ± -                              |  | CUSTOMER DRAWING            | CAGE CODE   | DRAWING NO    |
| ANGLES ± -                             |  | SCALE                       | 00779   | C=796407      |
| FINISH                                 |  | 2:1                         | SHEET   | 1 OF 1        |
| -                                      |  | REV                         | B2  |               |