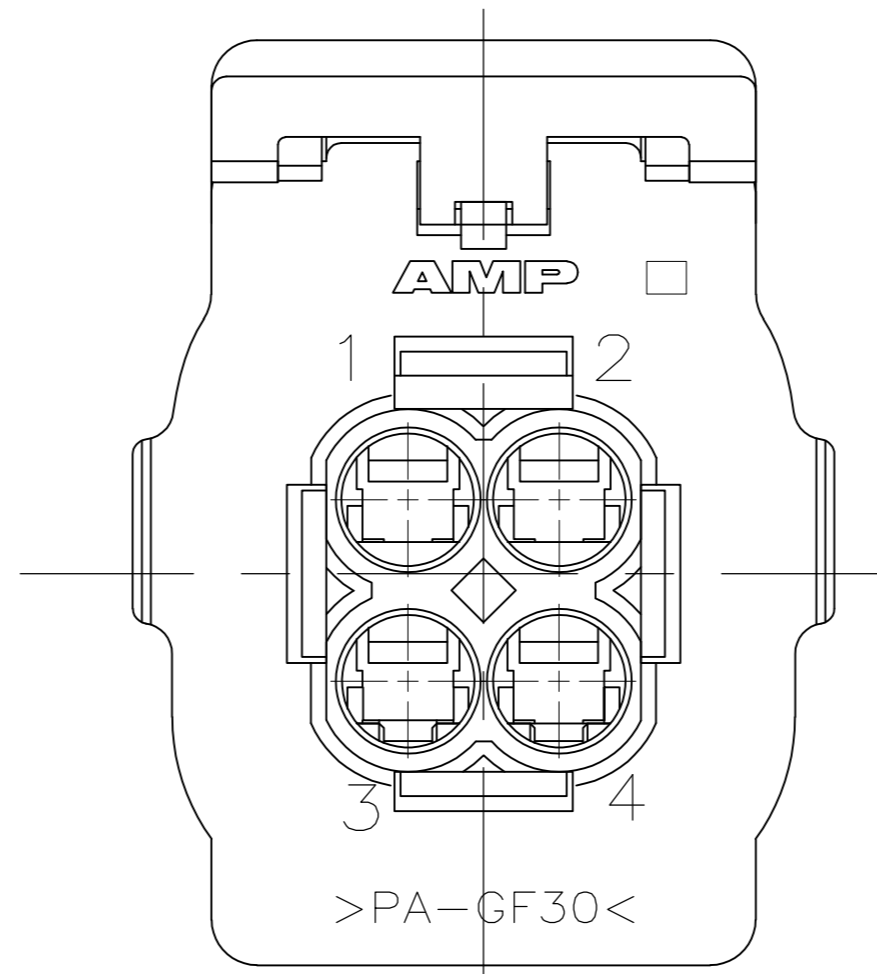
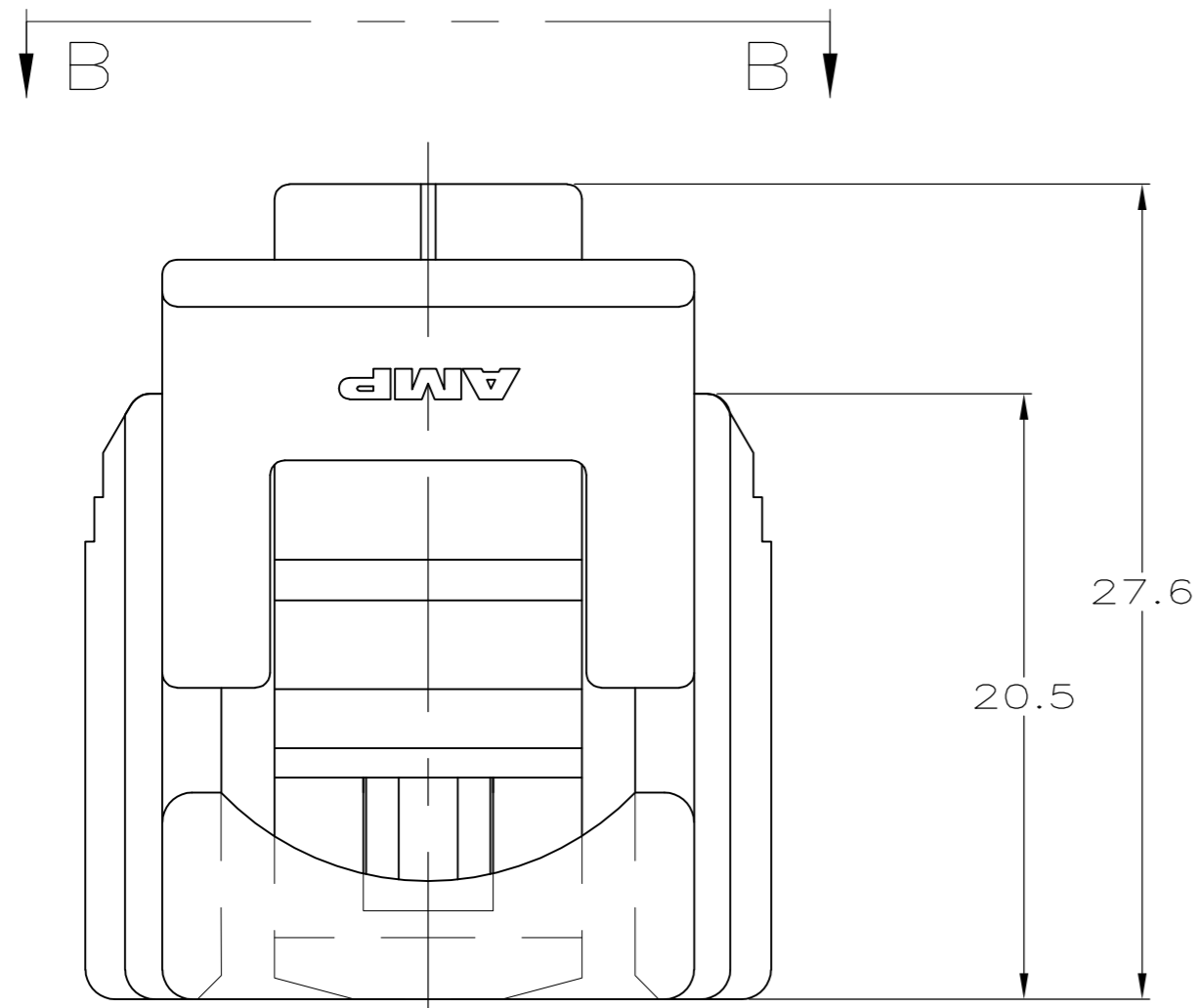


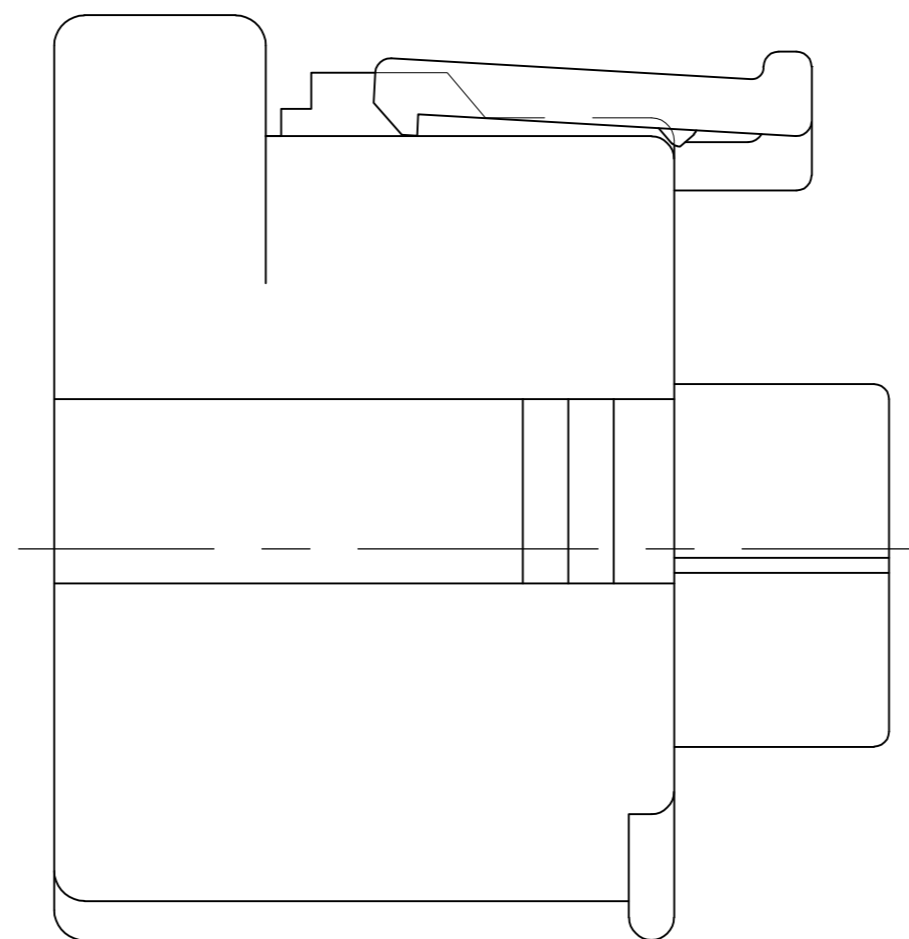
THIS DRAWING IS UNPUBLISHED. RELEASED FOR PUBLICATION
 © COPYRIGHT BY TYCO ELECTRONICS CORPORATION. ALL INTERNATIONAL RIGHTS RESERVED.

LOC		DIST		REVISIONS			
P	LTR	DESCRIPTION		DATE	DWN	APVD	
GE	00	K		REVISED PER ECO-09-008507	09APR2009	DD MB	



VIEW B-B

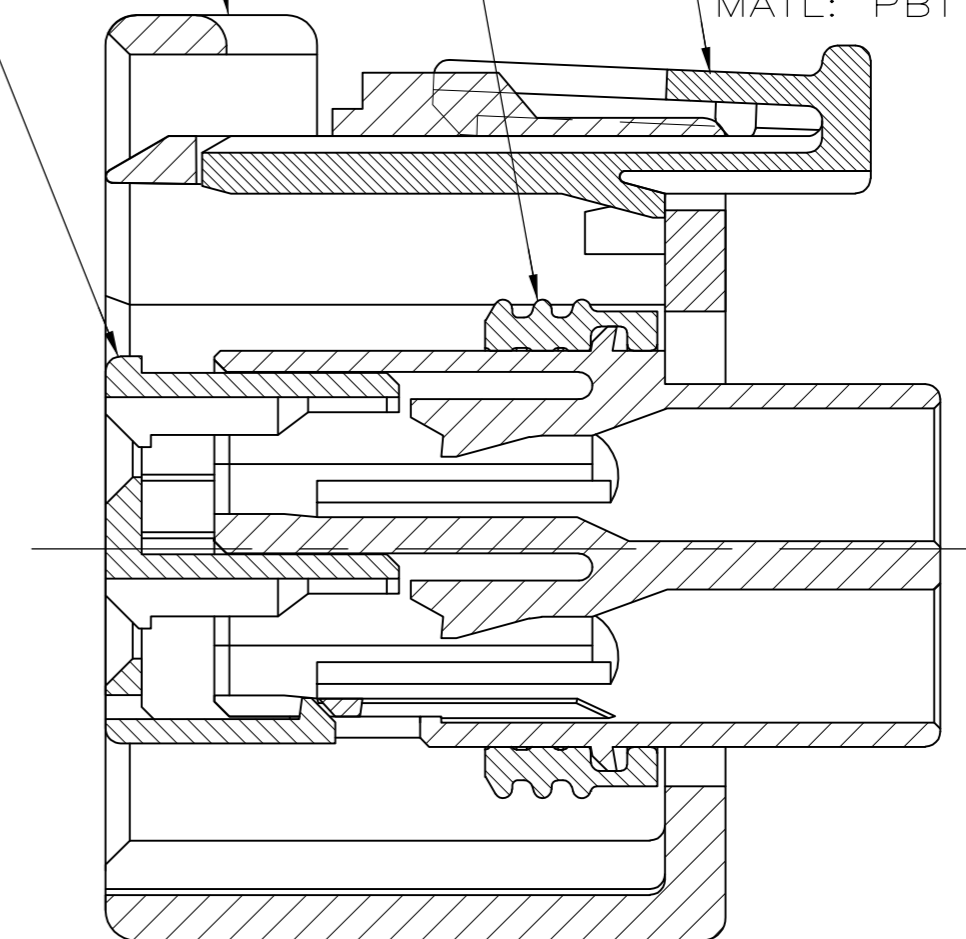
DBL LOCK PLATE
 MATL: PBT,
 15% GLASS FILLED



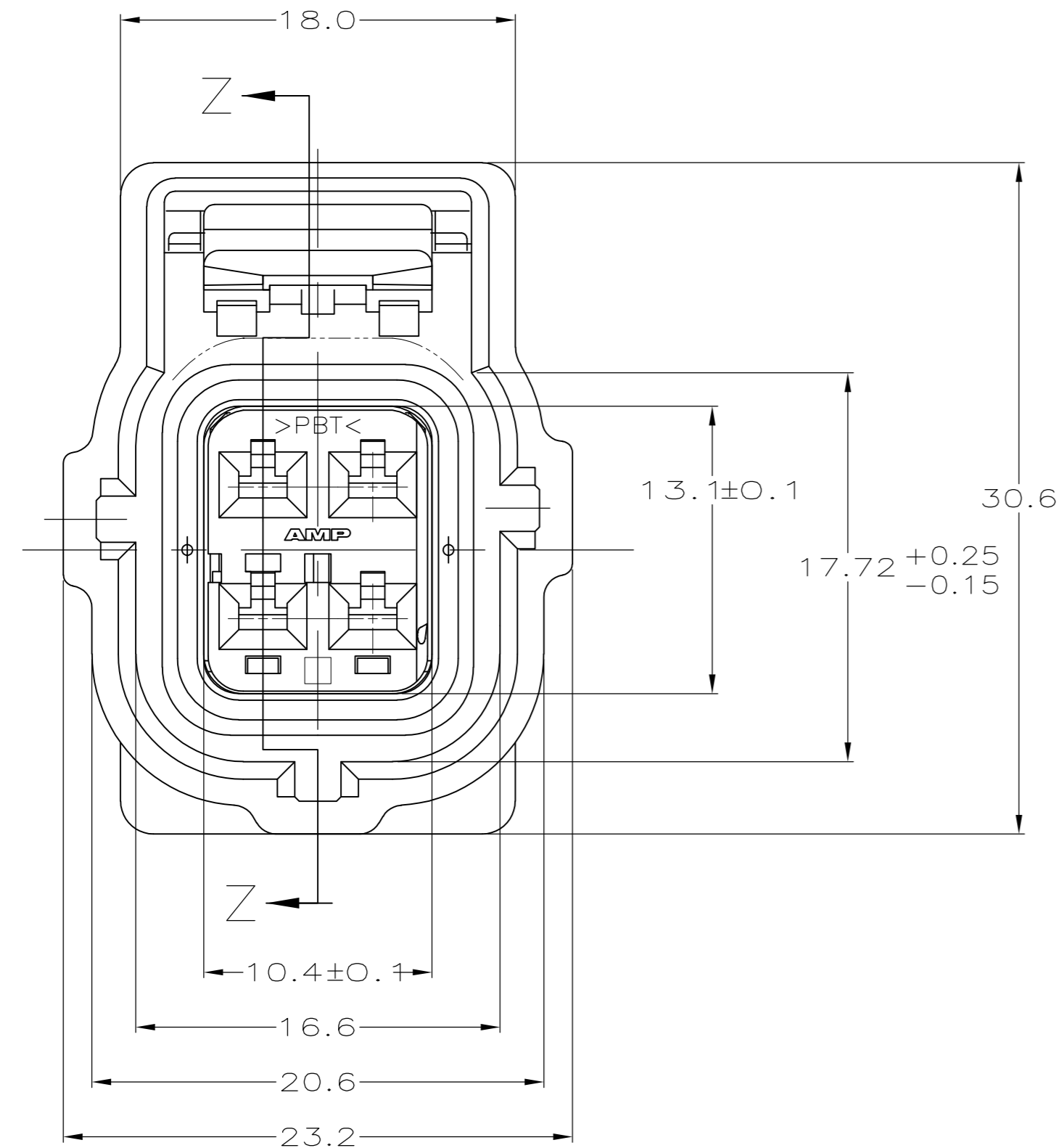
PLUG HOUSING
 MATL: 4/6 NYLON, 30% GLASS FILLED

SEAL RING
 MATL: SILICONE RUBBER

CPA
 MATL: PBT



SECTION Z-Z
 SCALE 4:1



BLACK	184248-1
PLUG COLOR	PART NUMBER

THIS DRAWING IS A CONTROLLED DOCUMENT.		DWN	KD LYTLE	04/18/96	Tyco Electronics Corporation Harrisburg, PA 17105-3608
DIMENSIONS:		CHK	CT HYRB	04/26/96	
mm		APVD	CT HYRB	04/26/96	
TOLERANCES UNLESS OTHERWISE SPECIFIED:		PRODUCT SPEC		NAME	
0 PLC	± -	APPLICATION SPEC		2 X 2 PLG ASY KEY A-C4 W/CPA	
1 PLC	± 0.3	SIZE	A2	CAGE CODE	00779
2 PLC	± 0.15	DRAWING NO	C=184248		
3 PLC	± -	RESTRICTED TO	-		
4 PLC	± -	WEIGHT	-		
ANGLES	± -	CUSTOMER DRAWING			
FINISH	-	SCALE	4:1	SHEET	1 of 1
MATERIAL		REV	K		