

NOTES :

1 - MATERIAL :

- HOUSING : POLYESTER 30% GLASS FILLED, UL94 V-0.
COLOUR: LIGHT GREY (092-0000-068 OF DEC-STD-092).
- TERMINAL: PHOSPHOR BRONZE.
POST PLATE (0.00127)/.000050 MIN. GOLD IN CONTACT AREA, (0.00500 TO 0.00200)/.000200 TO .000080 TIN ONLY IN TAIL AREA, BOTH OVER (0.00127)/.000050 MIN. NICKEL OVERALL.

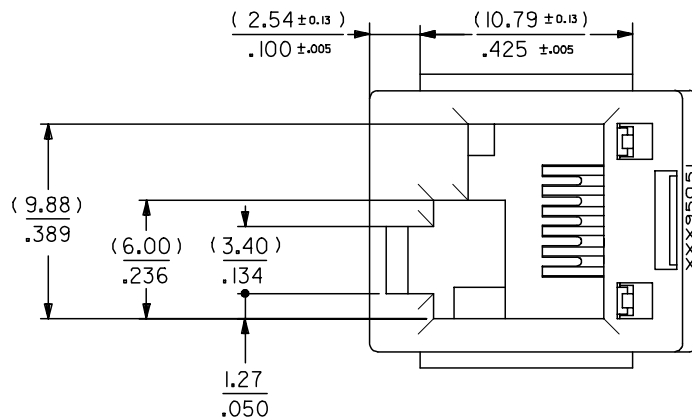
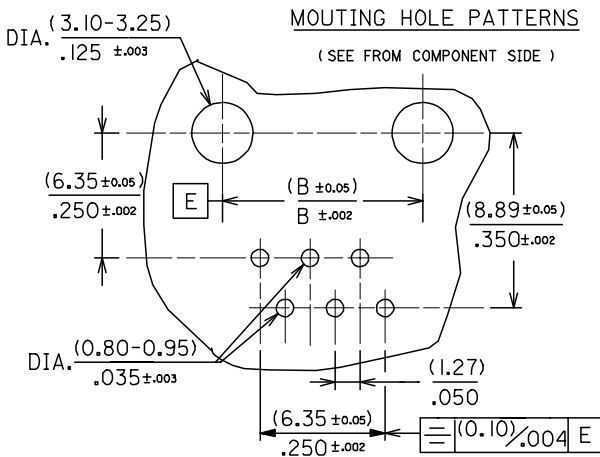
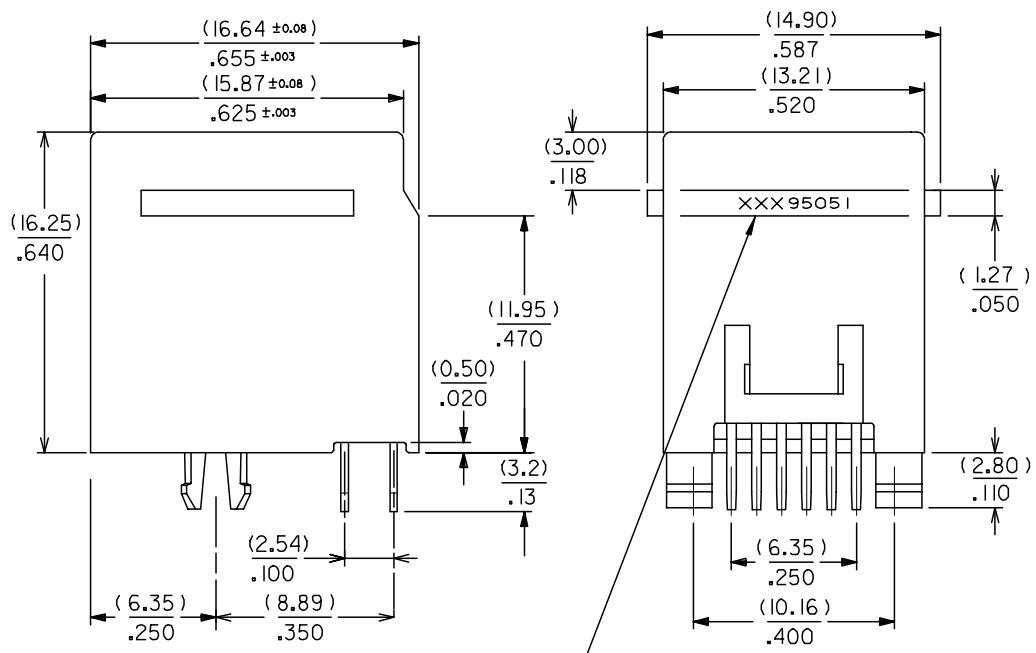
2 - PRINTED CIRCUIT BOARD THICKNESS: (1.57)/.062.

3 - FOR USE WITH THE UNCENTERED LATCH PLUG.

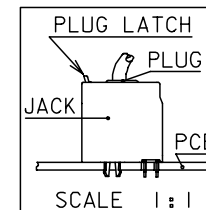
4 - PRODUCT SPECIFICATION : DIGITAL SPECIFICATION PS-95022

5 - LOGO MAY BE MXF, MG OR MXI

6 - PACKAGING SPECIFICATION :PK-95051-001



SEE NOTE 5



Change note & rename EC NO: E2006-0964 DRWN: PGRADY CHKD: APPR: EOMAHONY 2006/04/18 2006/04/18 2006/04/20	QUALITY SYMBOLS ▽=0 ▽=0	GENERAL TOLERANCES (UNLESS SPECIFIED) mm INCH 4 PLACES ± --- ±.010 3 PLACES ± --- ±.014 2 PLACES ± 0.25 ± --- 1 PLACE ± 0.35 ± --- ANGULAR ±1/2°	DIMENSION STYLE MM/IN	SCALE 4:1	DESIGN UNITS METRIC	THIRD ANGLE PROJECTION
	DRAWN BY PD	DATE 89/06/12	TITLE HIGH PROFILE TOP ENTRY JACK		MOLEX MOLEX INCORPORATED	
	CHECKED BY CB	DATE 89/06/12	MATERIAL NO. 95051-2667		DOCUMENT NO. SD-95051-001	SHEET NO. 1 OF 1
	APPROVED BY		DATE		DRAFT WHERE APPLICABLE MUST REMAIN WITHIN DIMENSIONS	

PART NO. 95051 - 2667
 DWG. NO. SDA - 95051 F

NOTES :

1 - MATERIAL :

-HOUSING : POLYESTER 30% GLASS FILLED, UL94 V-0.
 COLOUR: LIGHT GREY (092-0000-068 OF DEC-STD-092).
 -TERMINAL: PHOSPHOR BRONZE.
 POST PLATE (0.00127)/.000050 MIN. GOLD IN CONTACT
 AREA, (0.00500 TO 0.00200)/.000200 TO .000080
 (90/10) TIN/LEAD IN TAIL AREA, BOTH OVER
 (0.00127)/.000050 MIN. NICKEL OVERALL.

2 - PRINTED CIRCUIT BOARD THICKNESS: (1.57)/.062.

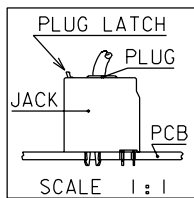
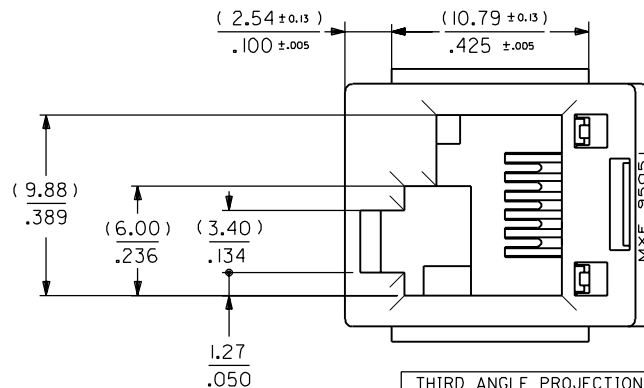
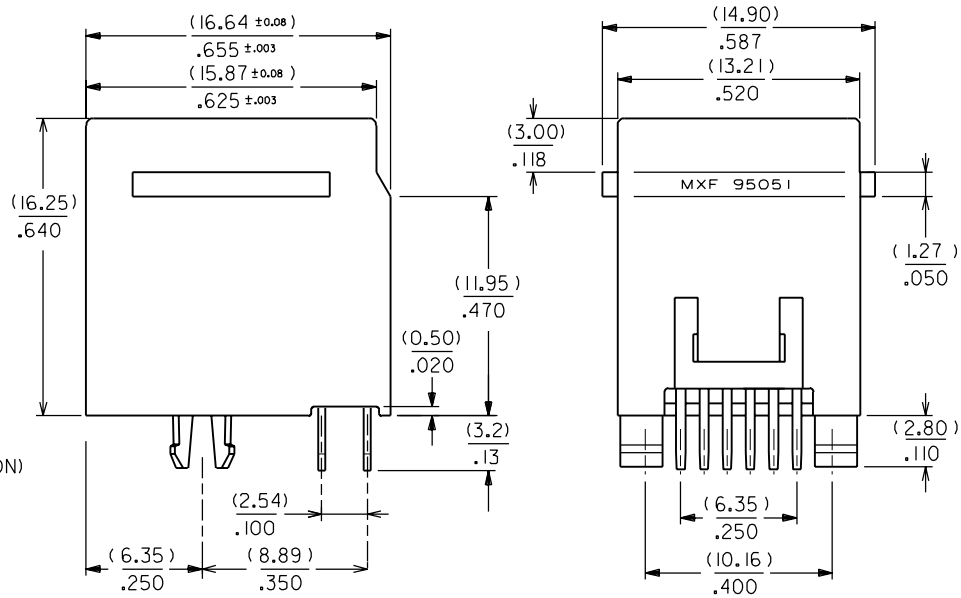
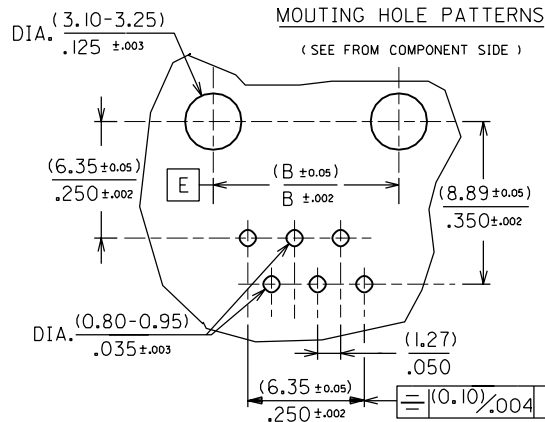
3 - FOR USE WITH THE UNCENTERED LATCH PLUG.

4 - PRODUCT SPECIFICATION : DIGITAL SPECIFICATION

PS 12- 23433-01

5 - APPLICATION SPECIFICATION : AS-95022 (THROUGH HOLE VERSION)

6 - PACKAGING SPECIFICATION : PK-95022



ECN F10177 CP 9/1/12/02	ECN F10156 NR . 9/07/16	ECN F 00083 RN 90/11/19	ECN F 00062 MA 90/06/27	ECN F00030 C.B. 90/01/04	ECN F90026 C.B. 89/11/02	ECN F90021 DP 89/10/04	ECN F90016 DP 89/08/16	ECN F90013 DP 89/06/12
E	D	C	B	A	4	3	2	1

THIRD ANGLE PROJECTION	
DIMENSIONS SHOWN (METRIC) INCH	
UNLESS OTHERWISE SPECIFIED TOLERANCES: ANGULAR ± 1°	
3 PLACE ± .010	INCH (METRIC)
2 PLACE ± .014 ± 0.25	
1 PLACE ± 0.35	
DRAFT WHERE APPLICABLE MUST REMAIN WITHIN DIMENSIONS	
DESIGN DIMENSION (PRIMARY) <input checked="" type="checkbox"/> (MM)	
EQUIVALENT DIMENSION (SECONDARY) <input checked="" type="checkbox"/> (MM)	
DRW BY PD	CHK'D BY CB
APP'D BY	SCALE 4:1

REVISE ONLY ON CAD SYSTEM		SHL REV.
CAD/AM FILENAME S95051X1 DGN	THIS DRAWING CONTAINS INFORMATION THAT IS PROPRIETARY TO MOLEX INC. & SHOULD NOT BE USED WITHOUT WRITTEN PERMISSION	
TITLE HIGH PROFILE TOP ENTRY JACK FOR DEC		
MOLEX MOLEX FRANCE		SHEET NO. DATE 1 OF 1 89/06/12
PART NO. 95051 - 2667	DWG NO. SDA - 95051 F	SIZE B