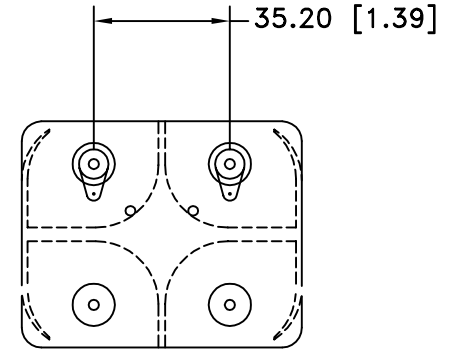
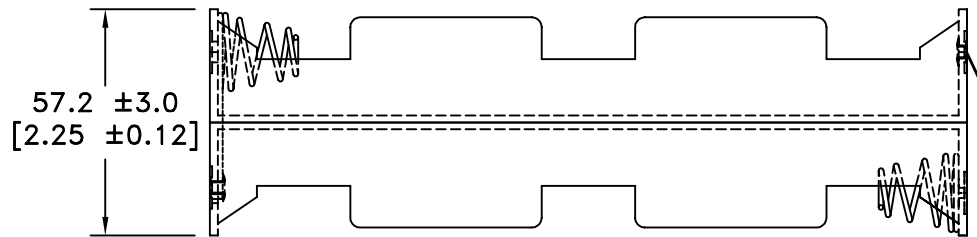
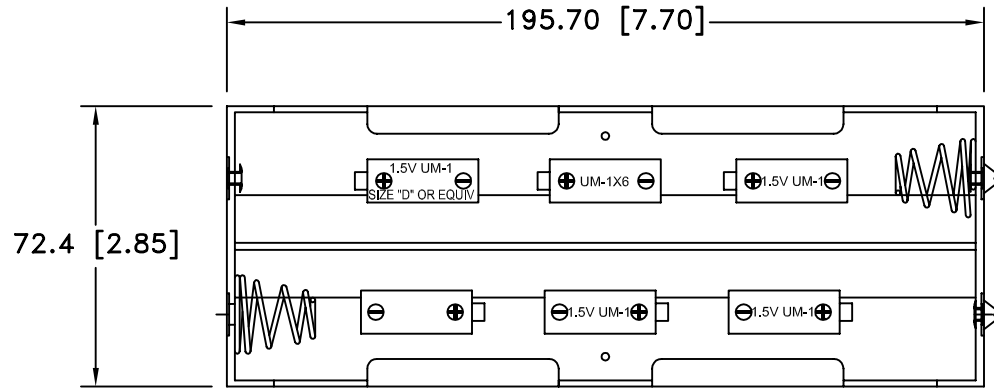



Date	SYM	REVISION RECORD	AUTH	DR.	CK.



NOTES:

1. MATERIAL:

- HOUSING : BLACK POLYPROPYLENE
- RIVETS: BRASS, NICKLE PLTD.
- SPRING: SPRING STEEL, NICKLE PLTD., SWB 60C

Tolerance (Except as noted)		Memory Protection Devices, Inc	
		200 Broad Hollow Road, Farmingdale, New York 11735	
decimal ±.5 (.020)		Scale	Drawn By B.S.
			Approved By T.B.
Fractional ± .8 (.030)	Title	12 "D" CELL HOLDER	
		Date	Drawing Number
Angular ± 3°	07/02/05	BH212DL	