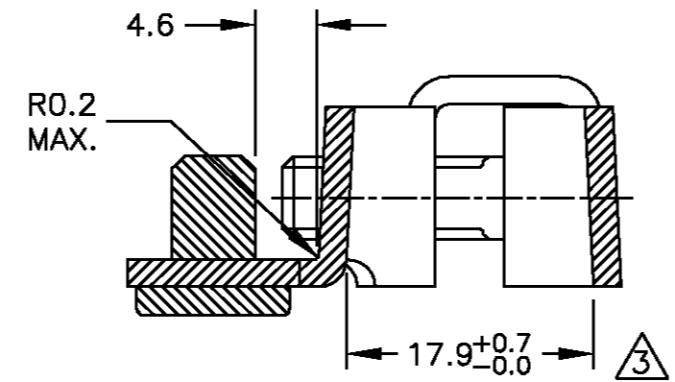
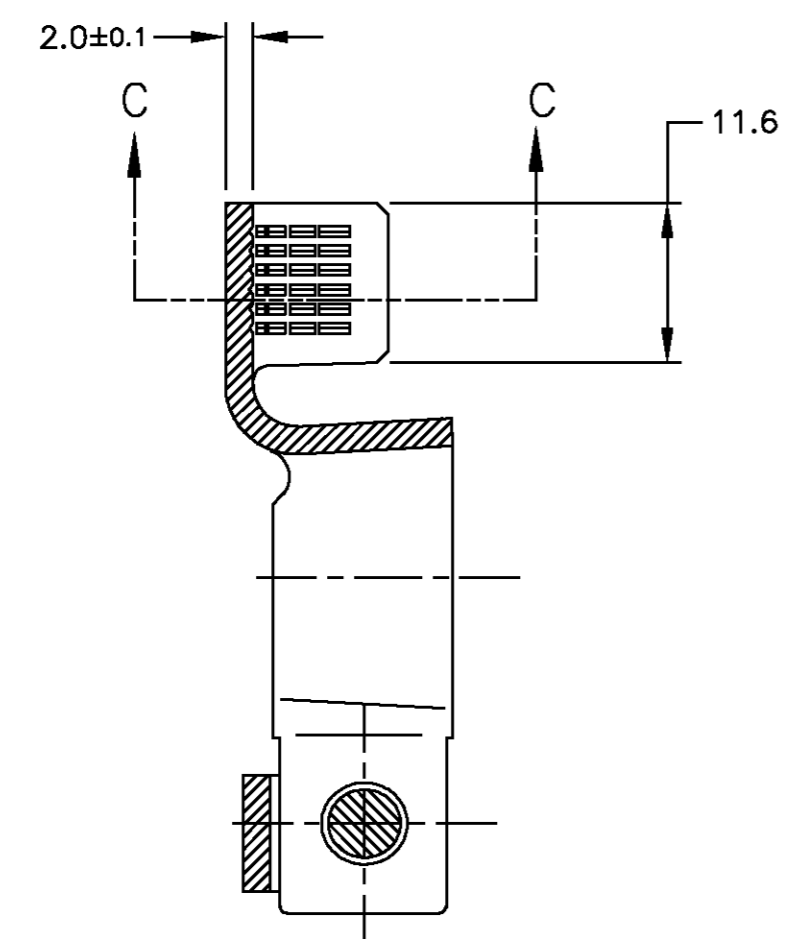


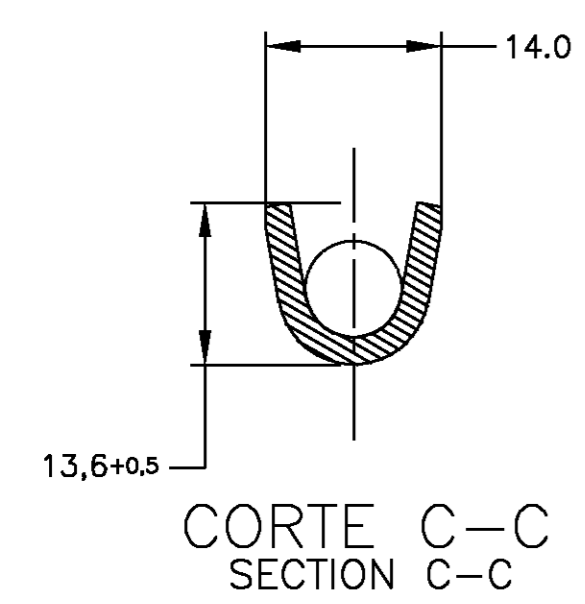
LOC	DIST	REVISIONS			
P	LTR	DESCRIPTION	DATE	DWN	APVD
		D1 REVISED BY EC LB00-0243/02	24SEP02	EL	PLF
		E REVISED BY EC LB00-0128/03	06MAY03	EL	PLF
		F REVISED BY EC LB00-0431/03	10NOV03	EL	PLF
		G REVISED BY EC LB00-0007/04	07JAN04	EL	PLF
		H REVISED BY EC LE10-0216/05	17MAI05	DCB	PLF



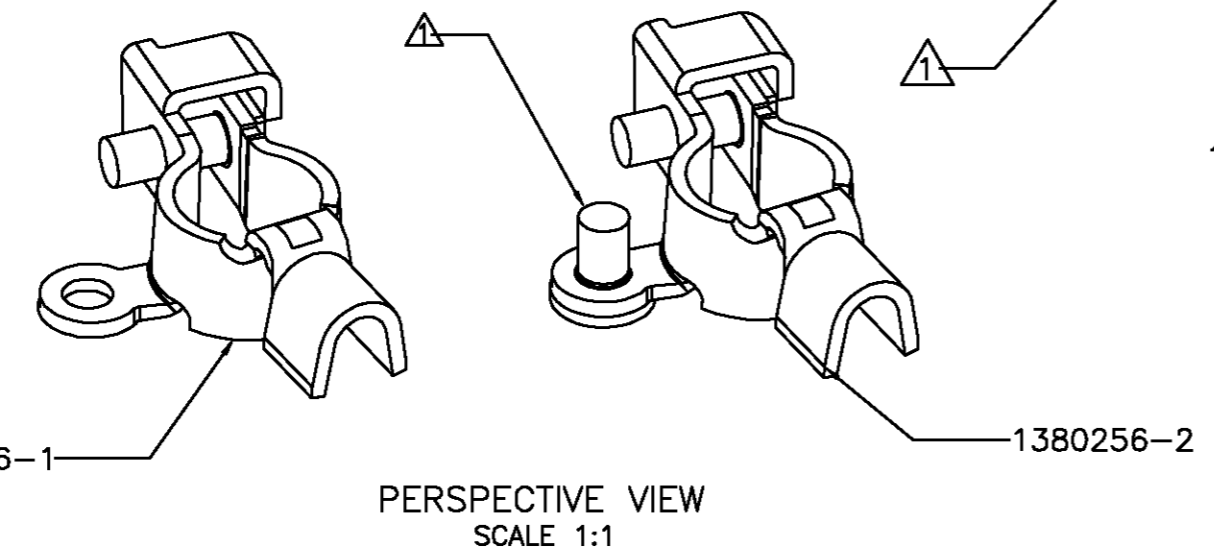
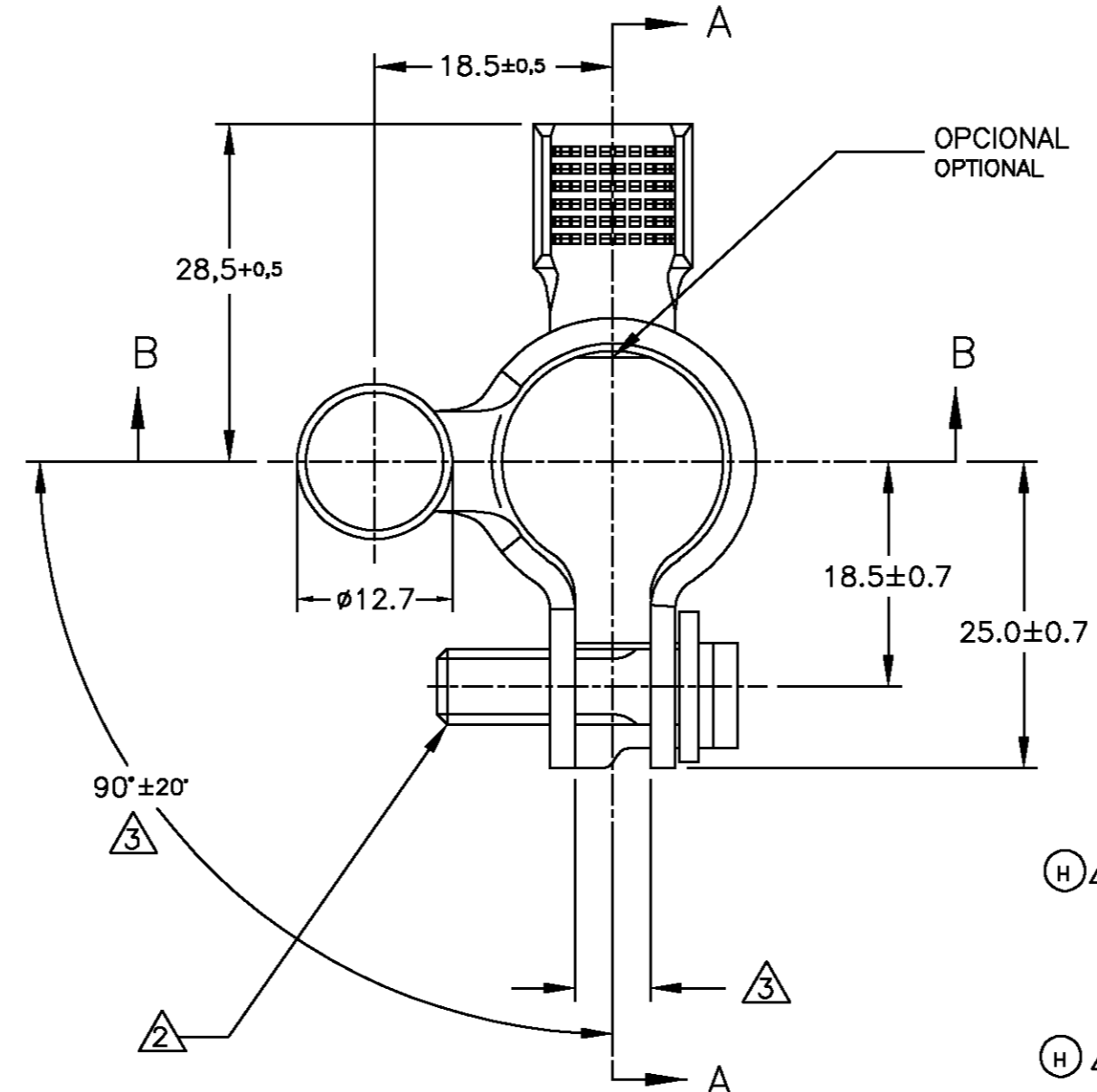
CORTE B-B
SECTION B-B



CORTE A-A
SECTION A-A



CORTE C-C
SECTION C-C



- (H) (A) - PARAFUSO M6X10, CLASSE 10.9, DE ACORDO COM ISO 898;
- ZINC, RESISTÊNCIA DO SPRAY: 72 HORAS, DE ACORDO COM ASTM-B-117, NÃO DEVE APRESENTAR CORROSÃO VERMELHA NO METAL BASE;
- (H) (A) - PARAFUSO M6X15, CLASSE 10.9, DE ACORDO COM ISO 898;
- ZINC, RESISTÊNCIA DO SPRAY: 72 HORAS, DE ACORDO COM ASTM-B-117, NÃO DEVE APRESENTAR CORROSÃO VERMELHA NO METAL BASE;
- (A) - FECHAR A ABERTURA DO TERMINAL PARA 4.5±0.2 INSPECIONAR ESTAS DIMENSÕES.
- (A) - VER DESENHO DE CLIENTE RESTRITO 1380256-1 E 1380256-2.
- (A) - SCREW M6X10, CLASS 10.9, ACCORDING TO ISO 898;
- ZINC, SALT SPRAY RESISTANCE: 72 HOURS, ACCORDING TO ASTM-B-117, SHALL NOT PRESENT RED CORROSION IN THE BASE METAL;
- (A) - SCREW M6X15, CLASS 10.9, ACCORDING TO ISO 898;
- ZINC, SALT SPRAY RESISTANCE: 72 HOURS, ACCORDING TO ASTM-B-117, SHALL NOT PRESENT RED CORROSION IN THE BASE METAL;
- (A) - CLOSE THE OPEN ENDS TO 4.5±0.2 INSPECT THIS DIMENSIONS.
- (A) - SEE RESTRICTED CUSTOMER DRAWING 1380256-1 AND 1380256-2.

GRAVAÇÃO MARKING
LOGOTIPO AMP AMP LOGO
MARCA REGISTRADA FORD FORD TRADEMARK
SINAL NEGATIVO (-) NEGATIVE SIGN (-)

WIRE RANGE (mm ²)	NOTE	FINISH	MATERIAL	PART NUMBER
16,0-20,0				1380256-2
				1380256-1
THIS DRAWING IS A CONTROLLED DOCUMENT.		DWN H.L.MERARO 03JUL01	AMP do Brasil Ltda.	
DIMENSIONS: MM		CHK P.L.FARIA 03JUL01	São Paulo - Brasil	
TOLERANCES UNLESS OTHERWISE SPECIFIED:		APVD J.A.MARSON 03JUL01	BATTERY TERMINAL, NEGATIVE	
0 PLC	± -	NAME		
1 PLC	± 0,3	PRODUCT SPEC		
2 PLC	± -	APPLICATION SPEC		
3 PLC	± -	SIZE CAGE CODE DRAWING NO		
4 PLC	± -	RESTRICTED TO		
ANGLES	± 1	A2 00779 C=1380256		
MATERIAL SEE TABLE	FINISH SEE TABLE	WEIGHT	SCALE 2:1	SHEET 1 OF 1 REV H
		CUSTOMER DRAWING		