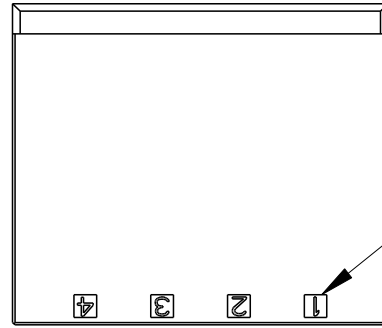


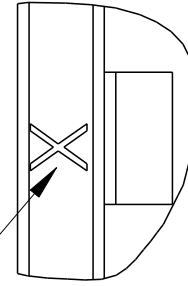
THIS DRAWING IS UNPUBLISHED. RELEASED FOR PUBLICATION 20
 © COPYRIGHT 20 BY Tyco Electronics Japan G.K. ALL RIGHTS RESERVED.

LOC	DIST	REVISIONS					
		P	LTR	DESCRIPTION	DATE	DWN	APVD
J	-		A	RELEASED	12SEP2007	T.S	D.M
			B	REVISED	18JAN2012	T.N	N.Y



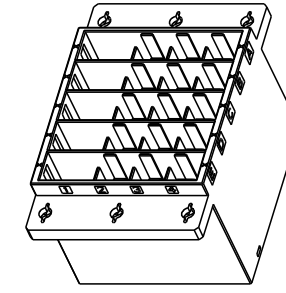
AS SHOWN: 2013285-2
 (P/M BOTTOM)
 KEYING CODE: X

回路番号
 CIRCUIT No

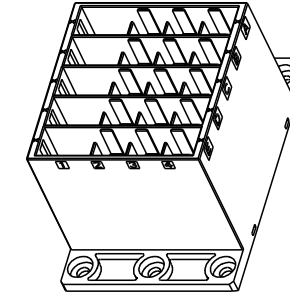


KEYING CODE: X

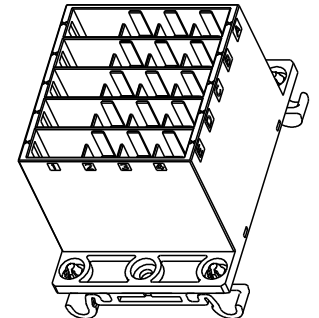
DETAIL A
 SCALE 5:1



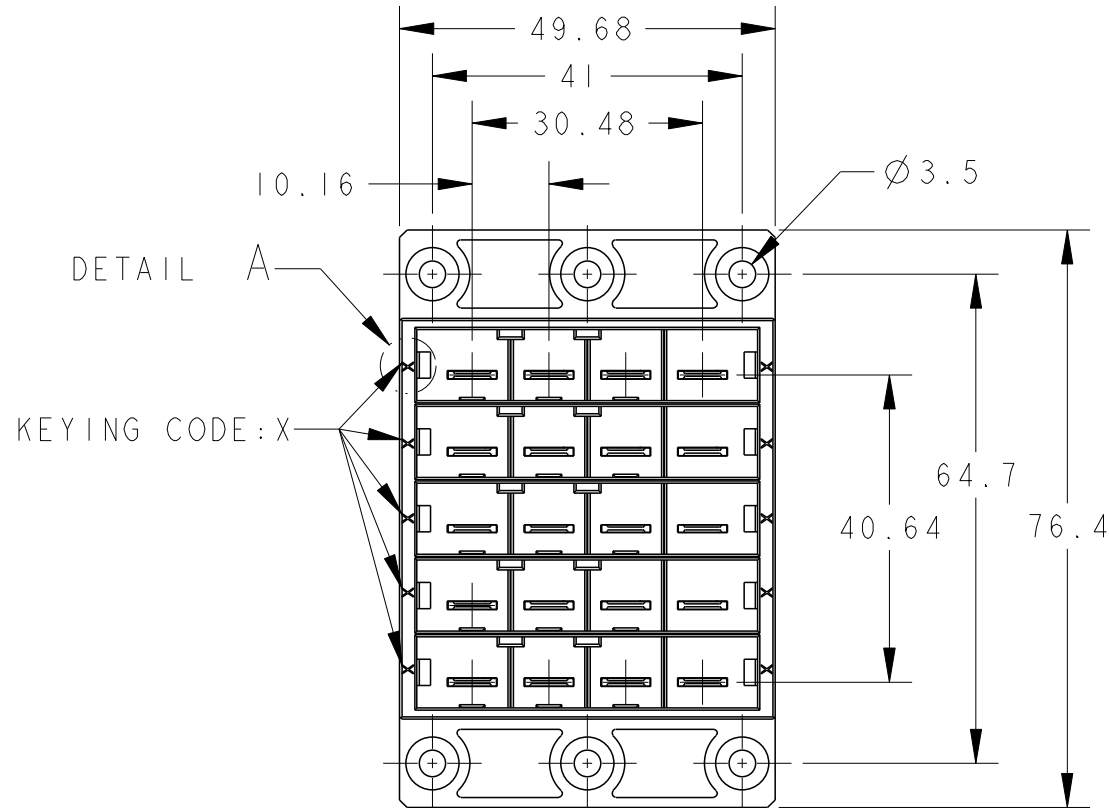
P/M FRONT
 2013285-1
 2-2013285-1



P/M BOTTOM
 2013285-2
 2-2013285-2

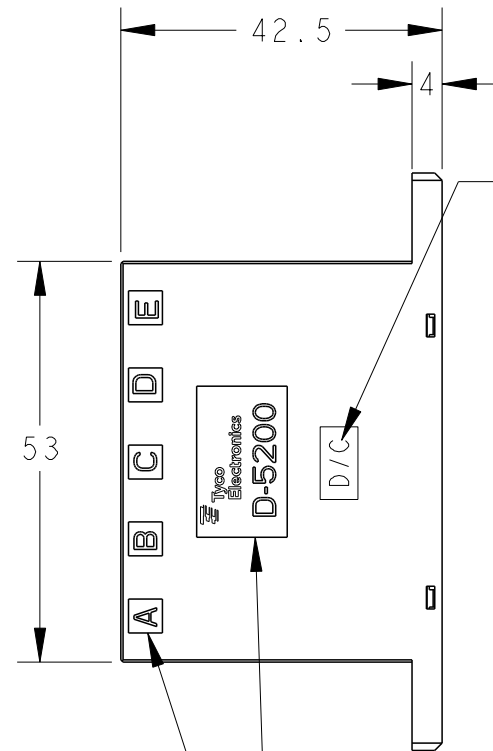


WITH DIN TYPE
 2013285-3
 2-2013285-2



DETAIL A

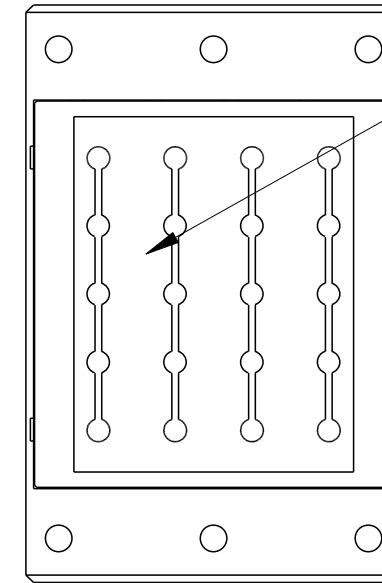
KEYING CODE: X



デットコート
 DATE CODE

列番号
 ROW No

Tycoマーク&シリーズマーク
 Tyco MARK & SERIES MARK

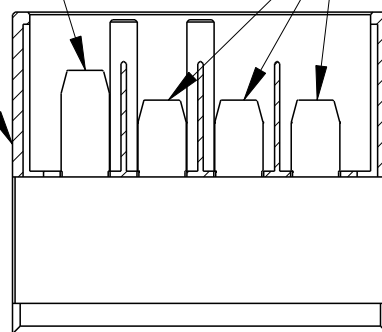


キャップハウジング
 CAP HOUSING

ロングタブコンタクト
 LONG TAB CONTACT

タブコンタクト
 TAB CONTACT

タブハウジング
 TAB HOUSING



4 OF 4	Y	2-2013285-3	WITH DIN TYPE
2 OF 4	X	2013285-3	
3 OF 4	Y	2-2013285-2	P/M BOTTOM
1 OF 4	X	2013285-2	
3 OF 4	Y	2-2013285-1	P/M FRONT
2 OF 4	X	2013285-1	
SHEET	KEY	P/N	DESCRIPTION

THIS DRAWING IS A CONTROLLED DOCUMENT.

DIMENSIONS: mm	TOLERANCES UNLESS OTHERWISE SPECIFIED: 0 PLC ± ±0.4 1 PLC ± ±3° 2 PLC ± ± 3 PLC ± ± 4 PLC ANGLS ± ±	DWN	12SEP2007	 TE Connectivity NAME DYNATAP CONN. 20P ASSY DYNAMIC D-5200SERIES			
		CHK	12SEP2007				
MATERIAL	FINISH	APVD	12SEP2007				
		PRODUCT SPEC	108-78370				
		APPLICATION SPEC	114-5206	SIZE	CAGE CODE	DRAWING NO	RESTRICTED TO
		WEIGHT		A3	00779	C-2013285	-
CUSTOMER DRAWING			SCALE	SHEET 1 OF 4		REV	B

THIS DRAWING IS UNPUBLISHED.

RELEASED FOR PUBLICATION

20

LOC

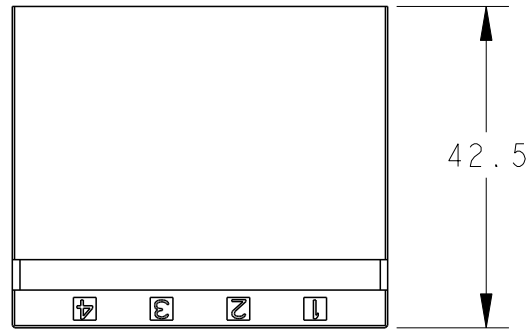
DIST

REVISIONS

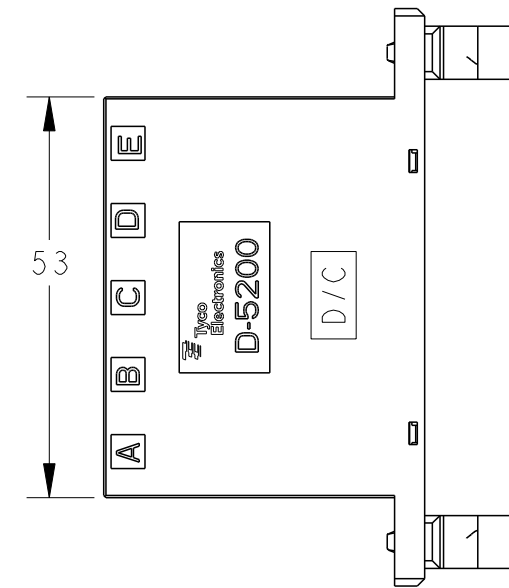
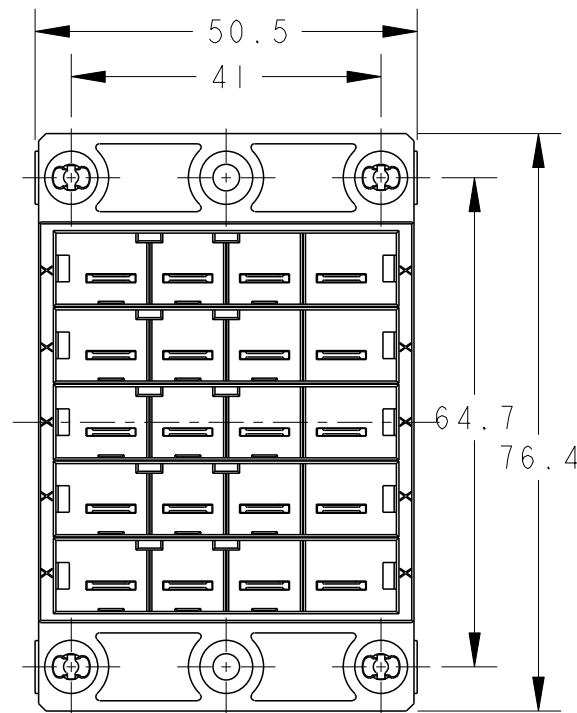
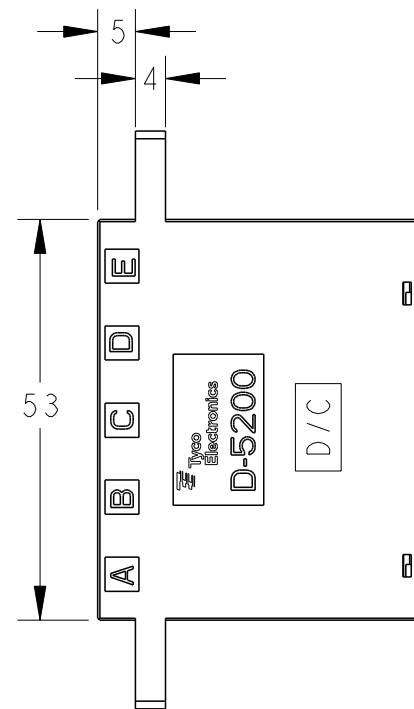
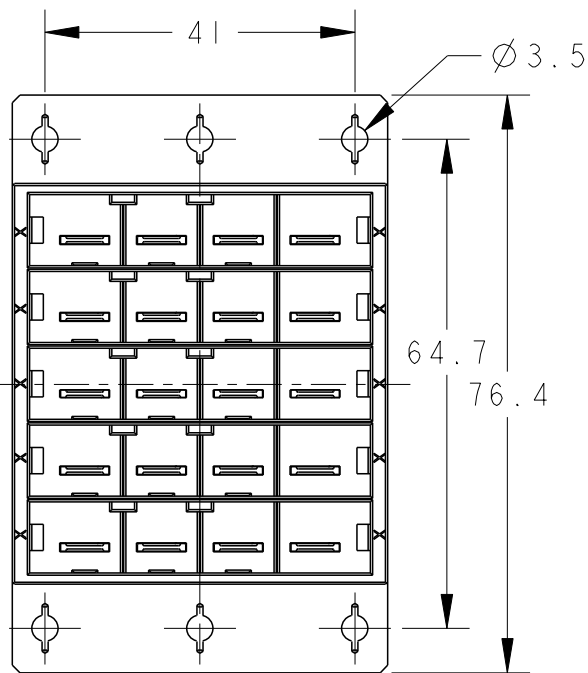
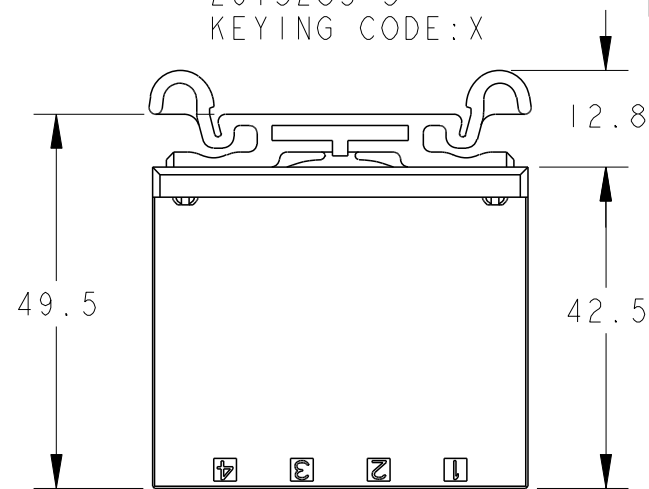
© COPYRIGHT 20 BY Tyco Electronics Japan G.K. ALL RIGHTS RESERVED.

P	LTR	DESCRIPTION	DATE	DWN	APVD
	-	SEE SHEET 1	-	-	-

P/M FRONT
2013285-1
KEYING CODE: X



WITH DIN TYPE
2013285-3
KEYING CODE: X



THIS DRAWING IS A CONTROLLED DOCUMENT.

DWN
CHK
APVD
PRODUCT SPEC
APPLICATION SPEC
WEIGHT



DIMENSIONS:	TOLERANCES UNLESS OTHERWISE SPECIFIED:
mm	0 PLC ± ±0.4
	1 PLC ± ±3°
	2 PLC ± ±
	3 PLC ± ±
	4 PLC ± ±
	ANGLES ± ±
	FINISH ± ±

MATERIAL

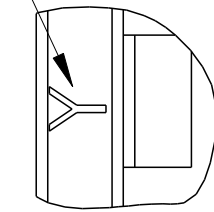
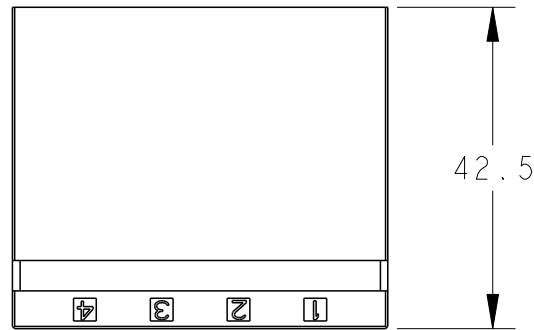
NAME		DYNATAP CONN. 20P ASSY		RESTRICTED TO
DYNAMIC D-5200SERIES				
SIZE	CAGE CODE	DRAWING NO		
A300779	C=2013285			

CUSTOMER DRAWING SCALE 1:1 SHEET 2 OF 4 REV B

LOC	DIST	REVISIONS					
		P	LTR	DESCRIPTION	DATE	DWN	APVD
J	-		-	SEE SHEET 1	-	-	-

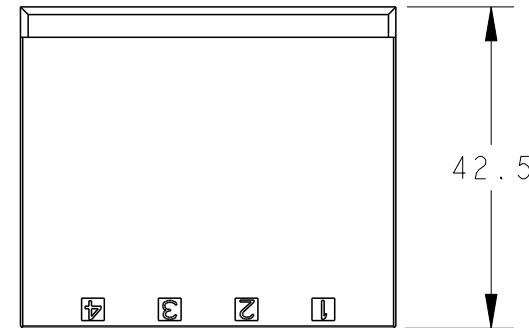
KEYING CODE:Y

P/M FRONT
2-2013285-1
KEYING CODE:Y

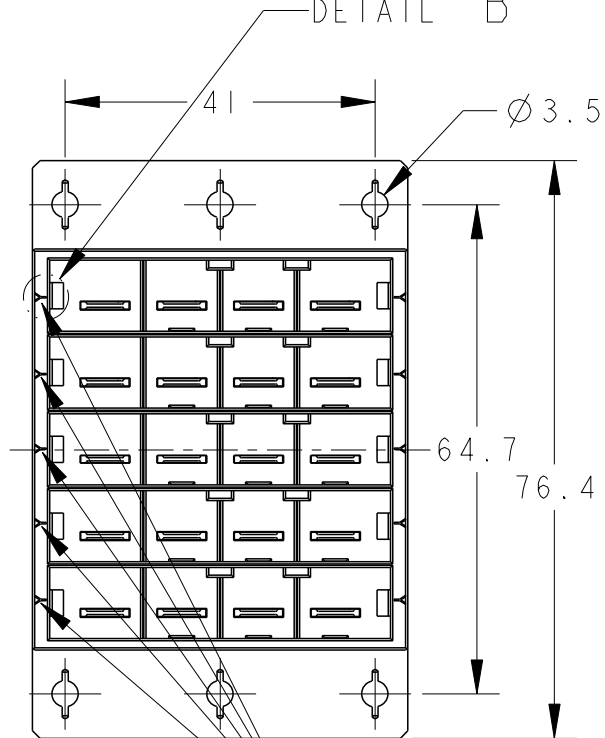


DETAIL B
SCALE 5:1

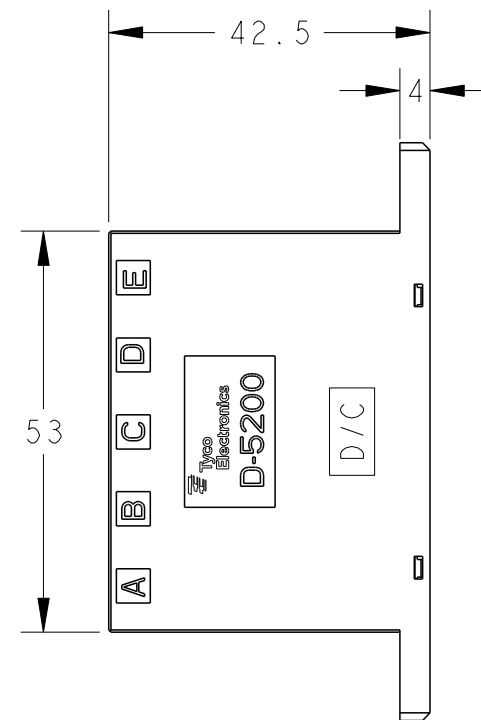
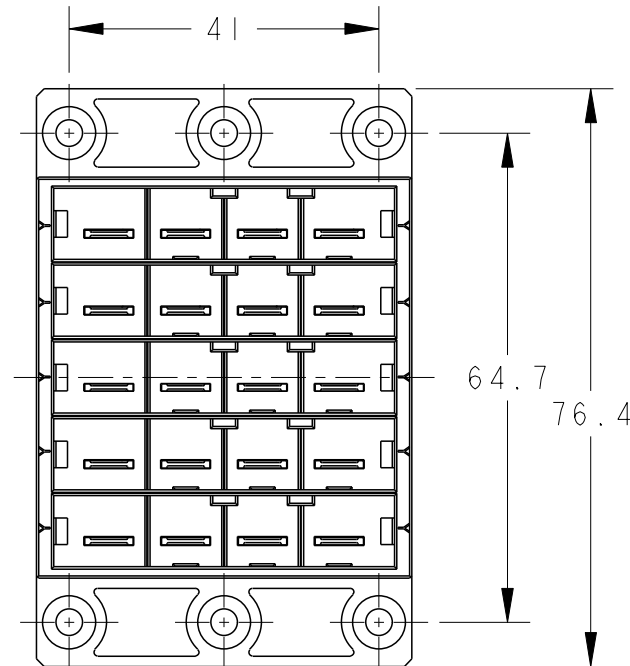
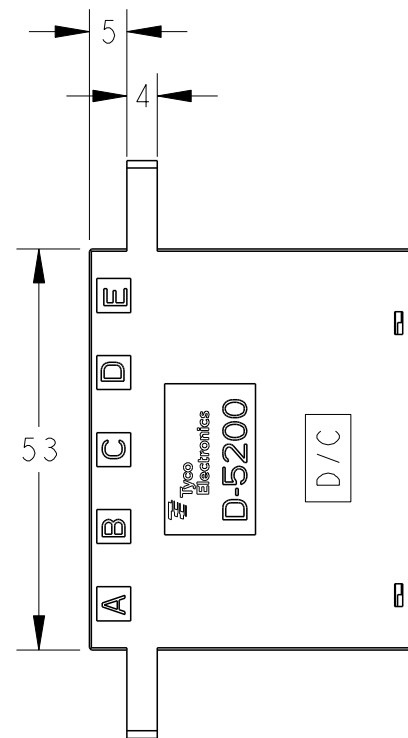
P/M BOTTOM
2-2013285-2
KEYING CODE:Y



DETAIL B



KEYING CODE:Y



THIS DRAWING IS A CONTROLLED DOCUMENT.

DWN
CHK
APVD
PRODUCT SPEC
APPLICATION SPEC
WEIGHT



DIMENSIONS:
mm
MATERIAL

TOLERANCES UNLESS OTHERWISE SPECIFIED:
0 PLC ± ± 0.4
1 PLC ± ± 0.4
2 PLC ± ± 3°
3 PLC ± ± 3°
4 PLC ± ±
ANGLES ± ±
FINISH

NAME			
DYNATAP CONN. 20P ASSY			
DYNAMIC D-5200SERIES			
SIZE	CAGE CODE	DRAWING NO	RESTRICTED TO
A3	00779	C=2013285	-

CUSTOMER DRAWING	SCALE	SHEET 3 OF 4	REV B
------------------	-------	--------------	-------

4

3

2

1

THIS DRAWING IS UNPUBLISHED.

RELEASED FOR PUBLICATION

20

© COPYRIGHT 20

BY Tyco Electronics Japan G.K.

ALL RIGHTS RESERVED.

LOC	DIST	REVISIONS					
		P	LTR	DESCRIPTION	DATE	DWN	APVD
J	-		-	SEE SHEET 1	-	-	-

WITH DIN TYPE
2-2013285-3
KEYING CODE: Y

パネル加工推奨寸法図
RECOMMEND PANEL LAYOUT

注記

① 材料:ハウジング:熱可塑性ホリエステル樹脂 黒色
:DIN レール取付部:熱可塑性ホリエステル樹脂 黒色
:コンタクト:銅合金

② メッキ:コンタクト:全面Ni下地1.3μmMIN.
接点部金メッキ0.38μmMIN
3. DINレール取付適用幅は、35±0.3mmとする。

NOTES

① MATERIAL
:HOUSING:GLASS FIELD THERMO PLASTIC,POLYESTER COLOR:BLACK
:DIN RAIL FOOT:GLASS FIELD THERMO PLASTIC,POLYESTER COLOR:BLACK
:CONTACT:COPPER ALLOY

② FINISH
:UNDER PLATE:Ni 1.3μm MIN,CONTACT AREA:Au 0.38μm MIN
3 WIDTH OF DIN RAIL ATTACHMENT APPLICATION:35±0.3mm

THIS DRAWING IS A CONTROLLED DOCUMENT.

DIMENSIONS: mm	TOLERANCES UNLESS OTHERWISE SPECIFIED:
	0 PLC ± ±0.4
	1 PLC ± ±0.4
	2 PLC ± ±0.4
	3 PLC ± ±3°
	4 PLC ± ±
MATERIAL	FINISH

DWN	TE Connectivity		
CHK	NAME		
APVD	DYNATAP CONN. 20P ASSY		
PRODUCT SPEC	DYNAMIC D-5200SERIES		
APPLICATION SPEC	SIZE	CAGE CODE	DRAWING NO
WEIGHT	A300779	C=2013285	RESTRICTED TO
CUSTOMER DRAWING	SCALE	SHEET 4 OF 4	REV B

1470-19 (3/11)