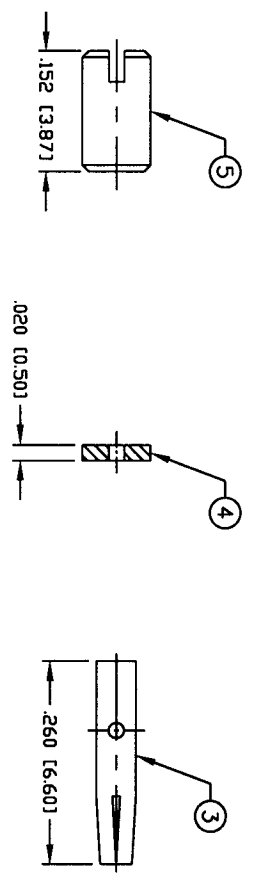


THIS DRAWING CONTAINS INFORMATION PROPRIETARY TO RF INDUSTRIES.
 ANY UNAUTHORIZED USE OF THIS DRAWING IS EXPRESSLY PROHIBITED
 WITHOUT WRITTEN PERMISSION FROM RF INDUSTRIES.
 ANY VIOLATION IS PUNISHABLE UNDER U.S. COPYRIGHT LAWS.

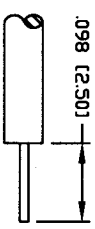
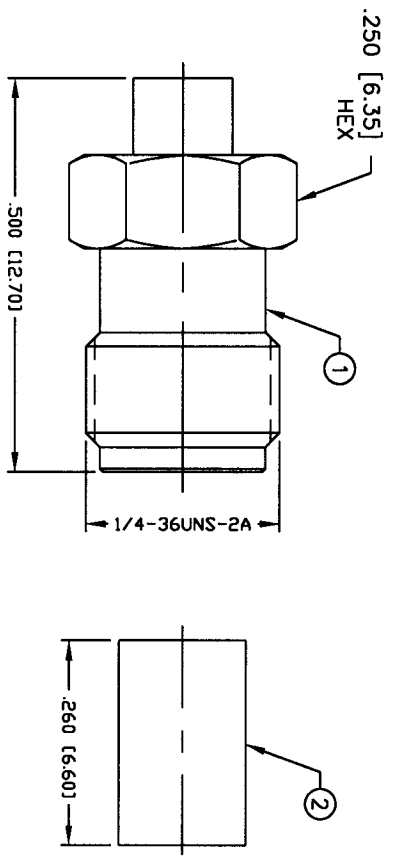
ALL DIMENSIONS ARE REFERENCE ONLY

PART NO. **RSA-3555-1-047**

REV	DESCRIPTION	DWN	DATE	APPROVED
-	ENGINEERING RELEASE	GGG	2/04/02	JDMC



CONTACT TO BE SOLDERED



RECOMMENDED
 STRIPPING DIMENSIONS

SPECIFICATIONS:

IMPEDANCE: 50 Ohms
 FREQUENCY RANGE: 0-18 GHz
 INSERTION LOSS(DB): 0.03 x $\sqrt{f(\text{GHz})}$
 WORKING VOLTAGE: 500 V rms Max. \oplus See Level
 INSULATION RESISTANCE: 5k M Ohms min.
 TEMPERATURE RANGE: -65°C TO 165°C
 FOR .047 Semi Rigid; M17/151

#	DESCRIPTION	QTY	MATRL	FINISH	APPROVALS	DATE
1	BODY	1	BRASS	GOLD, 10 μ "	008974	
2	INSULATOR	1	PTFE	---		
3	CONTACT	1	Be-Cu	GOLD, 50 μ "		
4	INSULATOR	1	PTFE	---		
5	SOLDER BARREL	1	BRASS	GOLD, 10 μ "		
6						
7						
8						
9						
10						
11						
12						
13						
14						

UNLESS OTHERWISE SPECIFIED:
 1. REMOVE ALL BURRS
 2. BREAK ALL CORNERS & EDGES .005 R. MAX.
 3. CHAMFER 1ST & LAST THREADS 45°
 4. SURFACE ROUGHNESS 63 FINISH MIL-STD-10
 5. DIAMETERS ON COMMON CENTERS TO BE CONCENTRIC WITHIN .002 T.I.R.
 6. ALL DIMENSIONS ARE AFTER PLATING.

DIMENSIONS ARE IN INCHES
 AND [MILLIMETERS]
 UNLESS OTHERWISE NOTED
 TOLERANCES ARE:
 DECIMALS DIAMETER
 .xxx+.003 [.08]
 .xxx+.001 [.03]
 .xxx+.003 [.08]
 .xxx+.005 [.15]

RF connectors
 DIVISION OF RF INDUSTRIES, LTD.
 7610 MIRAMAR RD
 SAN DIEGO, CA 92126
 (858) 549-6340
 (858) 549-6345 FAX

SMA JACK

SEMI RIGID (FOR .047)

SIZE	CABLE GROUP	DWG NO.	REV
A	SRO	RSA-3555-1-047	-
SCALE:	NTS	CAD FILE	OUTLINE
SHEET	1	OF	1