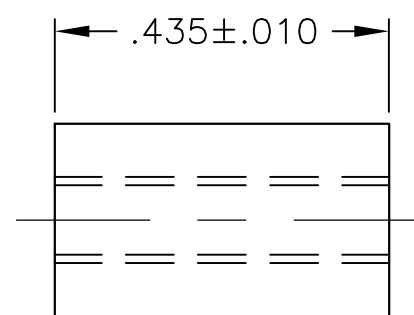
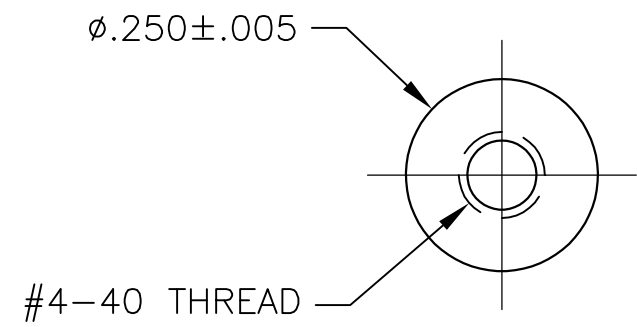

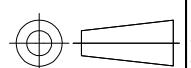


THIS DRAWING IS UNPUBLISHED. RELEASED FOR PUBLICATION
 © COPYRIGHT - By - ALL RIGHTS RESERVED.

LOC	DIST	REVISIONS					
		P	LTR	DESCRIPTION	DATE	DWN	APVD
GP	00		B1	REVISED PER ECO-11-004835	11MAR11	RK	HMR



BULK PACKAGED	2	5205933-4
ONE KIT PER BAG	2	5205933-3
PACKAGING	QTY	PART NUMBER

THIS DRAWING IS A CONTROLLED DOCUMENT.		DWN J.GERACE 27MAR06	 TE Connectivity		
DIMENSIONS: INCHES		CHK C.ROHDE 27MAR06			
		APVD M.WALMSLEY 27MAR06	NAME STAND OFF BUSHING, AMPLIMITE		
TOLERANCES UNLESS OTHERWISE SPECIFIED:		PRODUCT SPEC	-		
0 PLC ± -		APPLICATION SPEC	-		
1 PLC ± -		WEIGHT	-		
2 PLC ± -		SIZE	A3	CAGE CODE	00779
3 PLC ± -		DRAWING NO	C-5205933		RESTRICTED TO
4 PLC ± -		FINISH	-		
ANGLES ± -		MATERIAL	ROHS COMPLIANT ALUMINUM		
MATERIAL		CUSTOMER DRAWING		SCALE	4:1
ROHS COMPLIANT ALUMINUM		SHEET		1 OF 1	REV B1