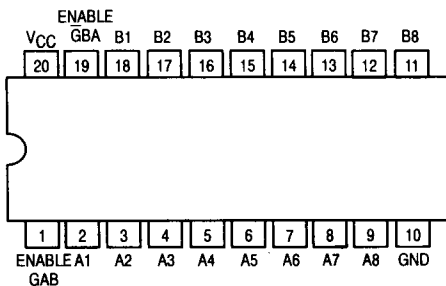




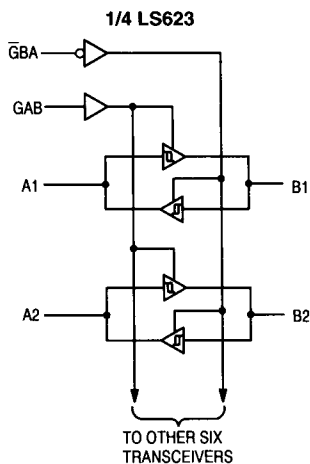
OCTAL BUS TRANSCEIVER WITH 3-STATE OUTPUT

The SN54/74LS623 series is an octal bus transceiver designed for asynchronous two-way communication between data buses. Control function implementation allows maximum timing flexibility. Enable inputs may be used to disable the device so that buses are effectively isolated. Depending on the Logic Levels at the enable inputs, Data transmission is allowed from the A bus to the B bus or from the B bus to the A bus. The dual-enable configuration gives the LS623 the capability to store data by simultaneous enabling of $\bar{G}BA$ and GAB . Each output reinforces its input in this transceiver configuration. Thus, when both control inputs are enabled all other data sources to the two sets of bus lines (16 in all) will remain at their last states.

CONNECTION DIAGRAM (TOP VIEW)

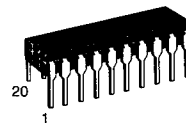


BLOCK DIAGRAM

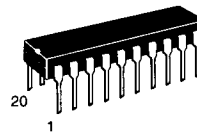


SN54/74LS623

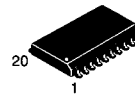
OCTAL BUS TRANSCEIVER WITH 3-STATE OUTPUT
 LOW POWER SCHOTTKY



J SUFFIX
 CERAMIC
 CASE 732-03



N SUFFIX
 PLASTIC
 CASE 738-03



DW SUFFIX
 SOIC
 CASE 751D-03

ORDERING INFORMATION

- SN54LSXXXJ Ceramic
- SN74LSXXXN Plastic
- SN74LSXXXDW SOIC

FUNCTION TABLE

ENABLE INPUTS		OPERATION
$\bar{G}BA$	GAB	LS623
L	L	B data to A bus
H	H	A data to B bus
H	L	Isolation
L	H	B data to A bus, A data to B bus

H = HIGH Level, L = LOW Level, X = Irrelevant

SN54/74LS623

GUARANTEED OPERATING RANGES

Symbol	Parameter		Min	Typ	Max	Unit
V _{CC}	Supply Voltage	54	4.5	5.0	5.5	V
		74	4.75	5.0	5.25	
T _A	Operating Ambient Temperature Range	54	-55	25	125	°C
		74	0	25	70	
I _{OH}	Output Current — High	54, 74			-3.0	mA
		54, 74			-12 -15	mA
I _{OL}	Output Current — Low	54			12	mA
		74			24	

DC CHARACTERISTICS OVER OPERATING TEMPERATURE RANGE (unless otherwise specified)

Symbol	Parameter		Limits			Unit	Test Conditions
			Min	Typ	Max		
V _{IH}	Input HIGH Voltage		2.0			V	Guaranteed Input HIGH Voltage for All Inputs
V _{IL}	Input LOW Voltage	54			0.5	V	Guaranteed Input LOW Voltage for All Inputs
		74			0.6		
V _{T+} -V _{T-}	Hysteresis		0.2	0.4		V	V _{CC} = MIN
V _{IK}	Input Clamp Diode Voltage			-0.65	-1.5	V	V _{CC} = MIN, I _{IN} = -18 mA
V _{OH}	Output HIGH Voltage	54, 74	2.4	3.4		V	V _{CC} = MIN, I _{OH} = -3.0 mA
		54, 74	2.0			V	V _{CC} = MIN, I _{OH} = MAX
V _{OL}	Output LOW Voltage	54, 74		0.25	0.4	V	I _{OL} = 12 mA
		74		0.35	0.5	V	I _{OL} = 24 mA
I _{OZH}	Output Off Current HIGH				20	μA	V _{CC} = MAX, V _{OUT} = 2.7 V
I _{OZL}	Output Off Current LOW				-400	μA	V _{CC} = MAX, V _{OUT} = 4.0 V
I _{IH}	Input HIGH Current	A, or B, GBA or GAB			20	μA	V _{CC} = MAX, V _{IN} = 2.7 V
		GAB or GAB			0.1	mA	V _{CC} = MAX, V _{IN} = 7.0 V
		A or B			0.1	mA	V _{CC} = MAX, V _{IN} = 5.5 V
I _{IL}	Input LOW Current				-0.4	mA	V _{CC} = MAX, V _{IN} = 0.4 V
I _{OS}	Short Circuit Current (Note 1)		-40		-225	mA	V _{CC} = MAX
I _{CC}	Power Supply Current					mA	V _{CC} = MAX
	Total Output HIGH				70		
	Total Output LOW				90		
	Total at HIGH Z				95		

Note 1: Not more than one output should be shorted at a time, nor for more than 1 second.

5

SN54/74LS623

AC CHARACTERISTICS (T_A = 25°C, V_{CC} = 5.0 V)

Symbol	Parameter	Limits			Unit	Test Conditions
		Min	Typ	Max		
t _{PLH} t _{PHL}	Propagation Delay A to B		8.0 11	15 15	ns	C _L = 45 pF, R _L = 667 Ω
t _{PLH} t _{PHL}	Propagation Delay B to A		8.0 11	15 15	ns	
t _{PZL} t _{PZH}	Output Enable Time G _{BA} to A		31 26	40 40	ns	
t _{PZL} t _{PZH}	Output Enable Time G _{AB} to B		31 26	40 40	ns	
t _{PLZ} t _{PHZ}	Output Disable Time G _{BA} to A		15 15	25 25	ns	C _L = 5.0 pF
t _{PLZ} t _{PHZ}	Output Disable Time G _{AB} to B		15 15	25 25	ns	