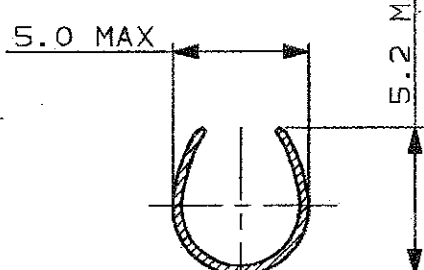
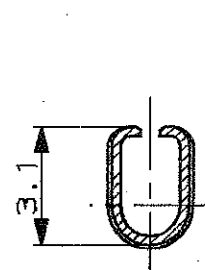
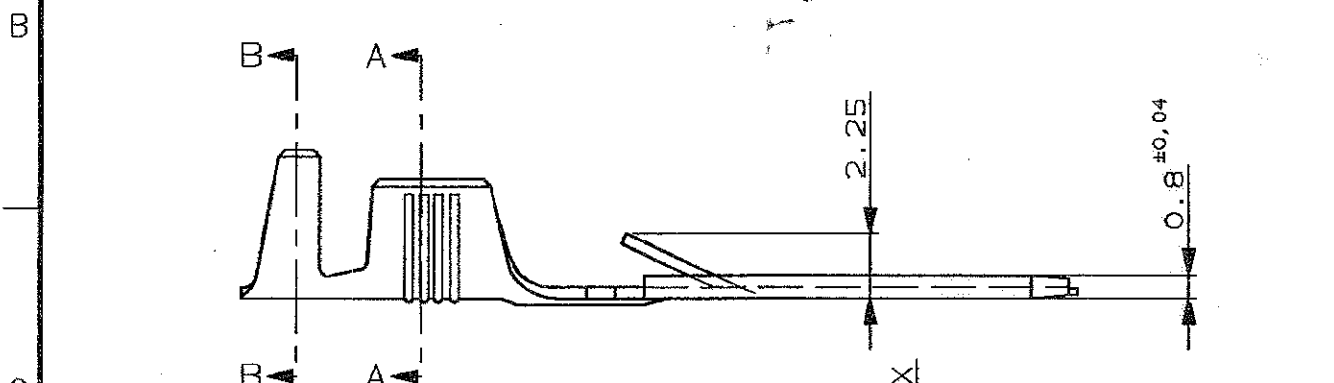
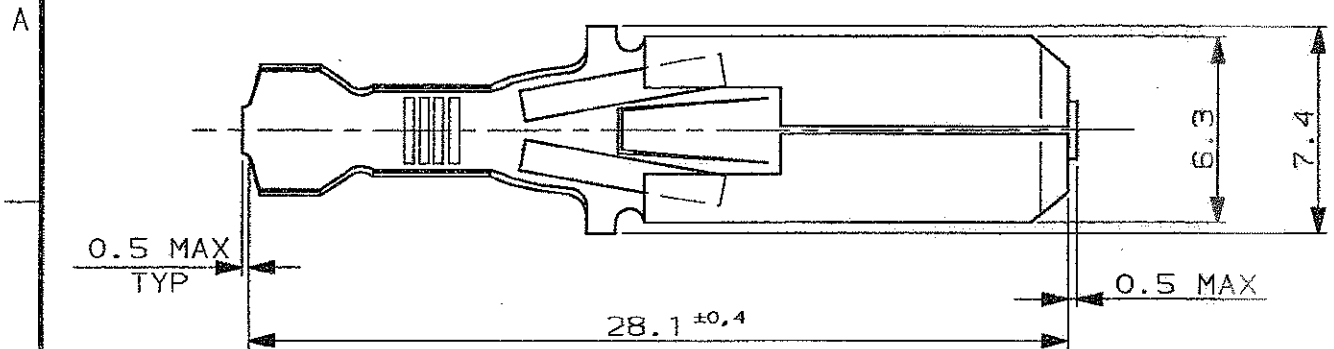


SCALA NON IMPEGNATIVA
(DO NOT SCALE)
DIMENSIONI IN mm
(DIMENSIONS IN mm)

METRIC

PROIEZIONE EUROPEA
(EUROPEAN PROJECTION)



SECTION A-A

SECTION B-B

OBSOLETE

ARGENTATO (SILVER PLATED)	BRONZO FOSFOROSO (PHOSFOR BRONZE)	160451-3
STAGNATO (TIN PLATED)	BRONZO FOSFOROSO (PHOSFOR BRONZE)	160451-2
NUDO (PLAIN)	BRONZO FOSFOROSO (PHOSFOR BRONZE)	160451-1
FINITURA / COLORE (FINISH / COLOUR)	MATERIALE (MATERIAL)	NUMERO (PART NUMBER)

CUSTOMER DWG.
FOR REFERENCE ONLY

DISEGNO PER CLIENTE
SOLO PER RIFERIMENTO

THIS DRAWING IS UNPUBLISHED | RELEASE FOR PUBLICATION 19
© COPYRIGHT 19 BY TE INCORPORATED, HARRISBURG, PA. ALL INTERNATIONAL RIGHT RESERVED. TE PRODUCTS MAY BE COVERED BY U.S. AND FOREIGN PATENT AND/OR PATENT PENDING

TOLLERANZE, SE NON DIVERSAMENTE SPECIFICATO TOLERANCES, UNLESS OTHERWISE SPECIFIED	DIAH. ISOLANTE (INS. DIA. RANGE)	RANGO FILO (WIRE RANGE)	SCALA (SCALE)
± 0.3	3.1-4.1mm	0.8-2.1mm ²	---
ANGOLI (ANGLES)	TE TE Connectivity		
± 2°			

DISTRIBUZIONE
(PRINT DIST.)

REV. 01	ECR-10-022530	KK	03FEB11
D	UNIFY CUST. TO PROD. DWG REV.		
O	REDRAWN BY CAD PER ET00-0041-01	P.Z.	
REV. 02	REVISIONI (REVISION RECORD)	DIS. DATA (DR) (DATE)	APP. (APP.)

DIS. (DR.)	P. ZAMPIROLO	01-02-2001	DESCRIZIONE (DESCRIPTION)	.250 SERIES FASTIN FASTON TAB (LOOSE PIECE)
CONT. (CHK)	R. MARTINI	01-02-2001	LOC. (LOC.)	SIZE (SIZE)
			NUMERO (DWG NO)	C-160451
			REV.	D1
			FOGLIO (SHEET)	1 DI (OF) 1