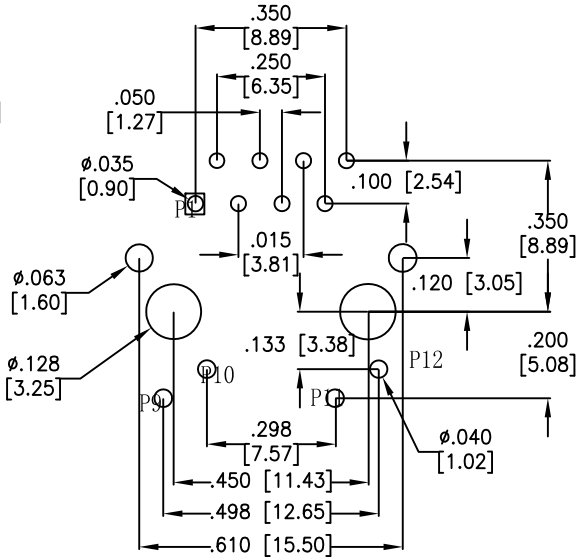
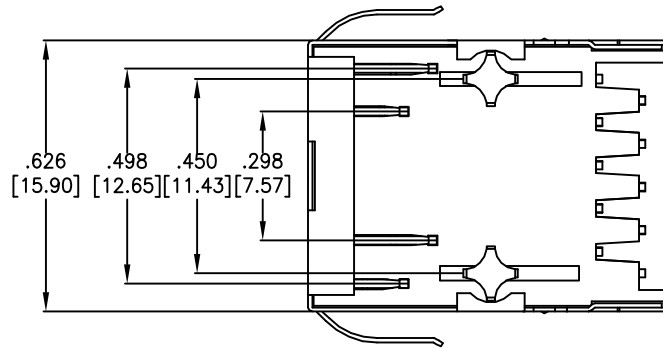
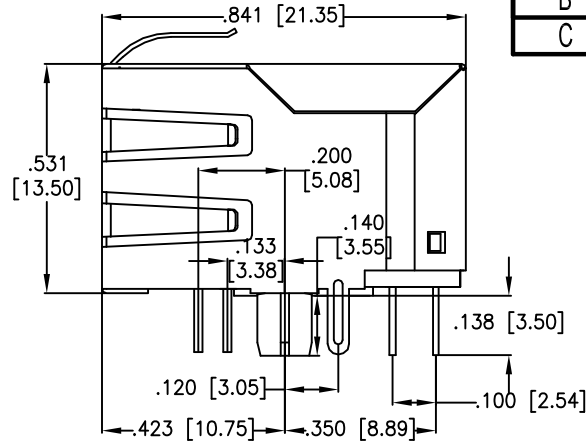
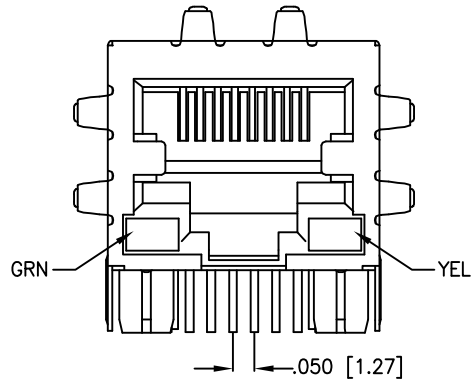


APPROVED: _____

DATE: _____ TITLE: _____

Rev	AWO #	Description	Date	Appr
-		RELEASED	11/06/09	
A		REVISED PIN VIEW	11/16/09	
B		REVISED SPEC.	5/5/11	
C		REVISED SPEC.	11/15/12	



SPECIFICATIONS:

Material:
 Insulator: PBT, glass reinforced, thermoplastic, rated UL 94V-0
 Insulator color: Black
 Contacts: Copper Alloy
 Shield: Copper Alloy, Nickel plated
 Plating:
 Round contact
 Gold over Nickel underplate overall
 Flat contact
 Gold over Nickel underplate on contact area,
 Tin over Nickel underplate on solder tails
 (See chart for thickness)

X	PLATING
0	15 µin Gold
1	30 µin Gold
2	50 µin Gold

Electrical:
 Operating voltage: 150 VAC max
 Contact Resistance: 20 mohms max
 Insulation resistance: 500 Mohms min
 Dielectric withstanding voltage: 1500 VAC for 1 minute
 Temperature Rating:
 Operating temperature: -20°C to +70°C
 Environmental:
 Lead free, RoHS compliant.



UNLESS OTHERWISE SPECIFIED
 ALL DIMENSIONS ARE INCHES [MM]
 TOLERANCES: EXCEPT AS NOTED
 INCHES HOLES

.X ± .10	∅X ± .10
.XX ± .020	∅XX ± .015
.XXX ± .015	∅XXX ± .010

APPROVALS		DATE
DRAWN	DY	11/06/09
CHECKED		
APPROVED		

ADAM TECH

909 Rahway Avenue, Union, NJ 07083
 Phone: 908-687-5000 Fax: 908-687-5710

TITLE
 MODULAR JACK GANGED, 1 PORT, 8P8C
 W/LED1 GREEN, LED2 YELLOW

SIZE	PART NO.	REV.
X	MTJ-88TX1-FSD-PG-D1LH-M81	C
REF: S00005C	SCALE: NTS	SHEET 1 OF 2

6

5

4

3

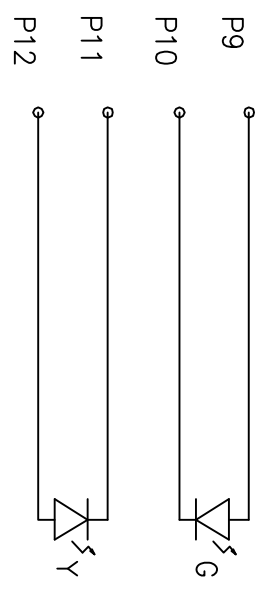
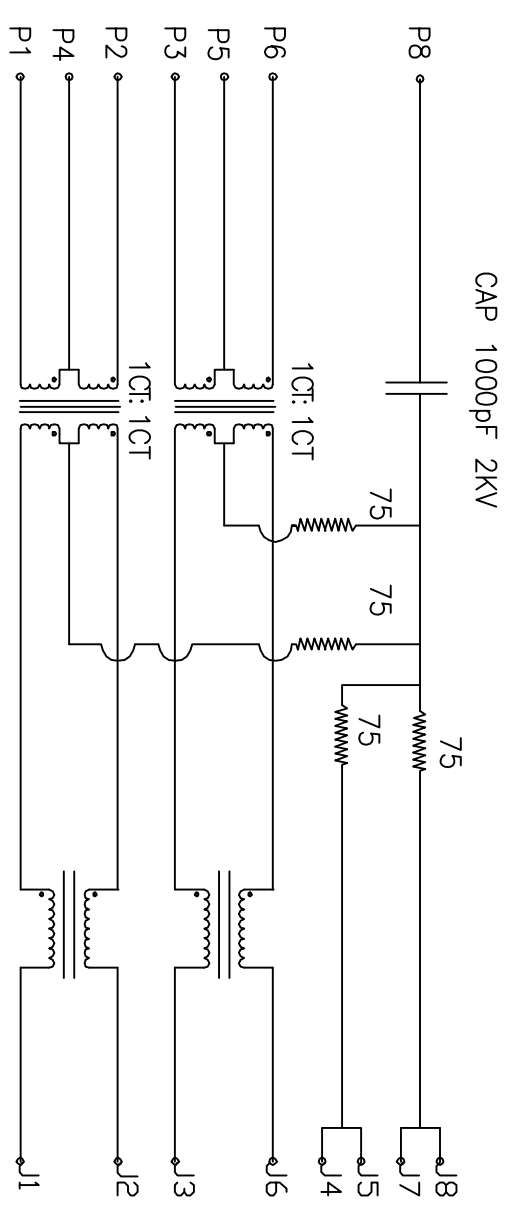
2

1

Rev	AWO #	Description	Date	Appr
		SEE SHT 1 OF 2 FOR REVISION		

APPROVED: _____

DATE: _____ TITLE: _____



ELECTRICAL SPECIFICATIONS:

- Turns Ratio: (P1 ~ P2) : (J1 ~ J2) 1:1 ±3%
(P3 ~ P6) : (J3 ~ J6) 1:1 ±3%
- Inductance: (P1 ~ P2) 350uH min. @ 0.1V, 100KHZ, 8mA DC Bias
(P3 ~ P6) 350uH min. @ 0.1V, 100KHZ, 8mA DC Bias
- Leakage Inductance: P1 ~ P2 (with J1 and J2 Short): 0.35uH Max. @ 1 MHz
P3 ~ P6 (with J3 and J6 Short): 0.35uH Max. @ 1 MHz
- Interwinding Capacitance: (P1 ~ P2) : (J1 ~ J2): 35pF max. @ 1MHz
(P3 ~ P6) : (J3 ~ J6): 35pF max. @ 1mhz
- DC Resistance: (J1 ~ J2):(J3 ~ J6) : 1.2 Ohms Max.
- Return Loss: 1MHz to 30MHz: -18dB min
30MHz to 60MHz: -(18-20log(f/30))dB MIN (WHERE f IS IN MHZ)
60MHz to 80MHz: -12dB min
- Dielectric Withstanding: (P1~P2) : (J1~J2) :1500VAC or 2250VDC
(P3~P6) : (J3~J6) :1500VAC or 2250VDC
- Insertion Loss: 100KHZ TO 100MHz : -1.2dB Min.
- Cross Talk: 1MHZ to 100MHz: -35dB Typ.
- Common to Common mode Attenuation 30MHz to 100MHz: -30dB Typ.

UNLESS OTHERWISE SPECIFIED
ALL DIMENSIONS ARE INCHES [MM]

TOLERANCES: EXCEPT AS NOTED

INCHES	HOLES
.X ± .10	Ø.X ± .10
.XX ± .020	Ø.XXX ± .015
.XXX ± .015	Ø.XXX ± .010

APPROVALS

DRAWN	DY	DATE
CHECKED		
APPROVED		

ADAM TECH
909 Ratway Avenue, Union, NJ 07083
Phone: 908-687-5000 Fax: 908-687-5710

TITLE: MODULAR JACK GANGED, 1 PORT, 8P8C
W/ LED1 GREEN, LED 2 YELLOW

SIZE	PART NO.	REV.
X	MTJ-88TX1-FSD-PG-D1H-M81	C
REF:	S0006C	SCALE: NTS
		SHEET 2 OF 2