

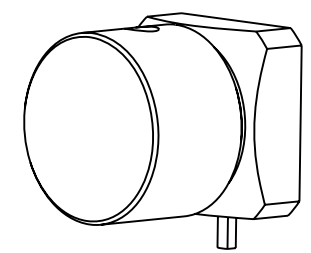
NOTES:

1. MATERIALS AND FINISHES:
 BODY & CONTACT - BRASS, GOLD PLATING
 INSULATOR - LCP E130i
 CAP - PTFE, NATURAL
2. ELECTRICAL:
 A. IMPEDANCE: 50 OHM
 B. FREQUENCY RANGE: DC - 18 GHz
 C. VSWR (RETURN LOSS): 1.10 MAX. (-26.4 dB MIN.) @ DC - 6 GHz
 1.15 MAX. (-23.1 dB MIN.) @ 6 - 10 GHz
 1.30 MAX. (-17.7 dB MIN.) @ 10 - 18 GHz
 CONNECTOR ONLY, PERFORMANCE WILL VARY
 BASED ON BOARD LAYOUT
 D. DIELECTRIC WITHSTANDING VOLTAGE: 335 VRMS, MIN.
3. MECHANICAL:
 A. DURABILITY: 1000 CYCLES MIN.
 B. TEMPERATURE RANGE: -65°C TO +165°C
 C. ENGAGEMENT FORCE: 2 LBS (9 N) MAX.
 D. DISENGAGEMENT FORCE: 0.5 LBS (2.2 N) MIN.
 E. INNER CONTACT RETENTION FORCE: 1.5 LBS (7 N) MIN.
4. PACKAGING:
 A. QUANTITY: TAPE & REEL PACKAGING, 800 PCS/REEL
 B. MARKING: REEL TO BE MARKED:
 "AMPHENOL RF, SMP-MSSB-PCSI5T AND DATE CODE"

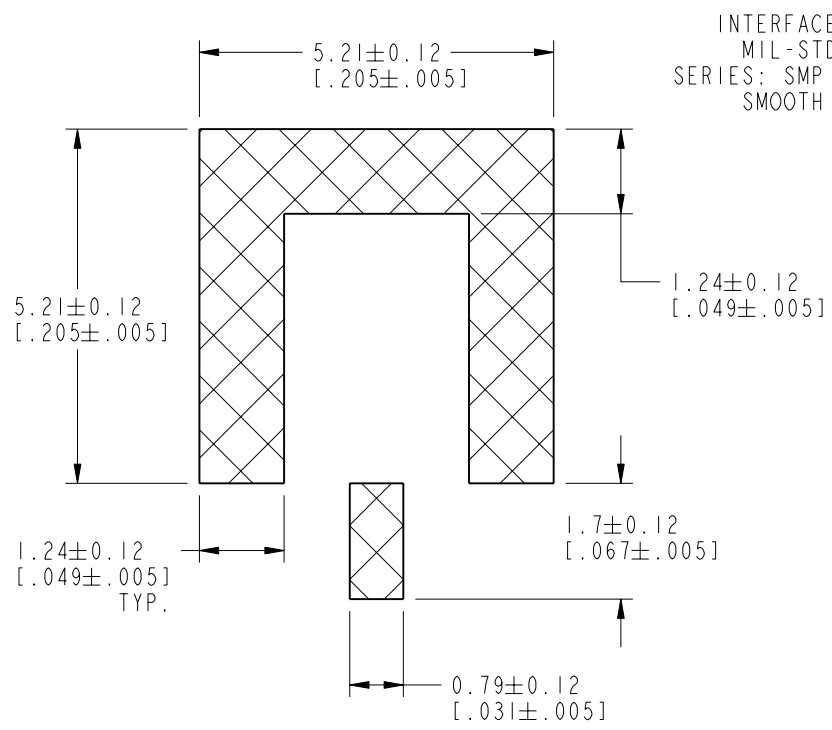
THIRD ANGLE PROJ.

REVISIONS

| REV | DESCRIPTION | DATE | ECO | APPR |
|-----|-----------------|-----------|-------|------|
| A | RELEASE TO MFG. | 07-Jun-18 | 08221 | BMG |

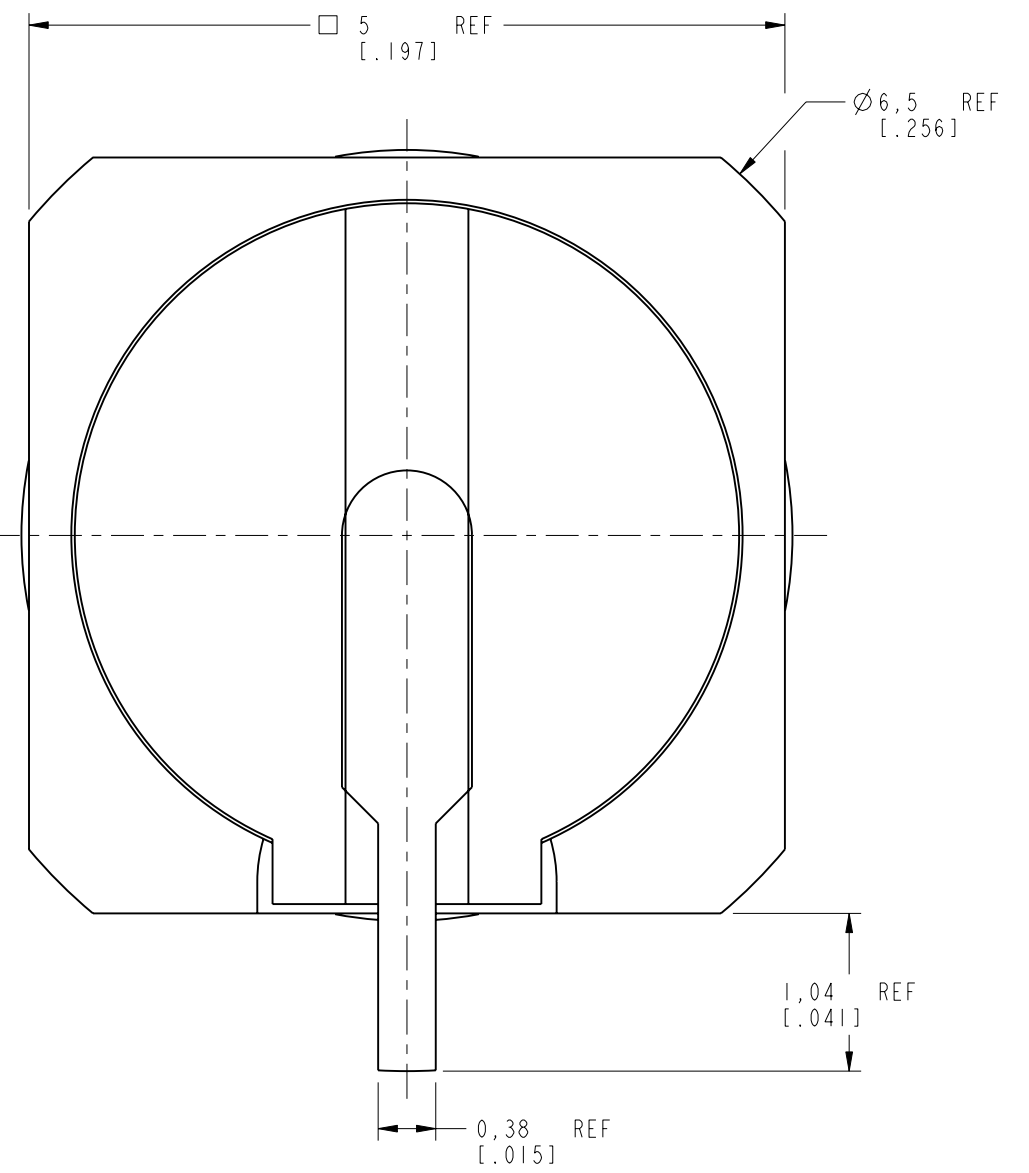
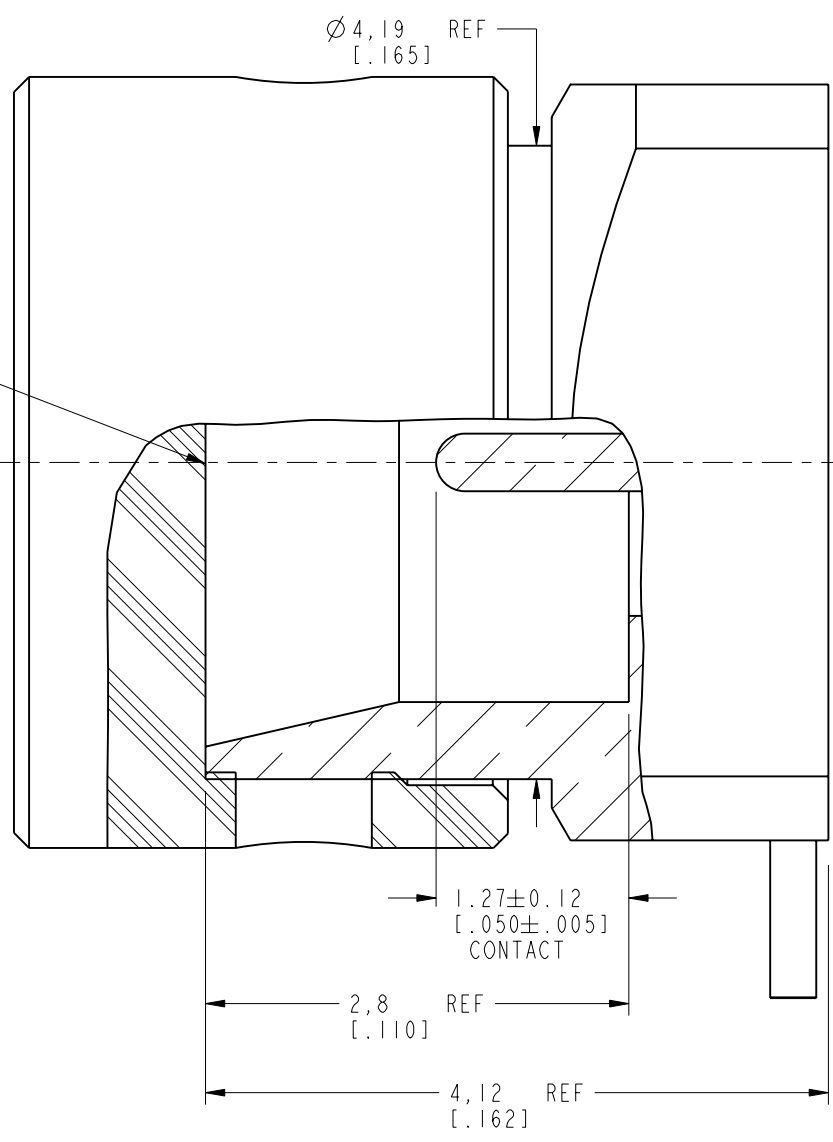


SCALE 5.000



RECOMMENDED PCB LAYOUT DIMENSIONS

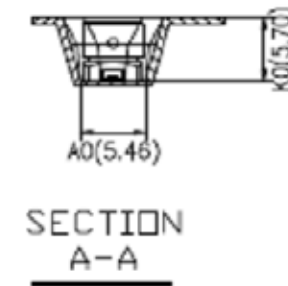
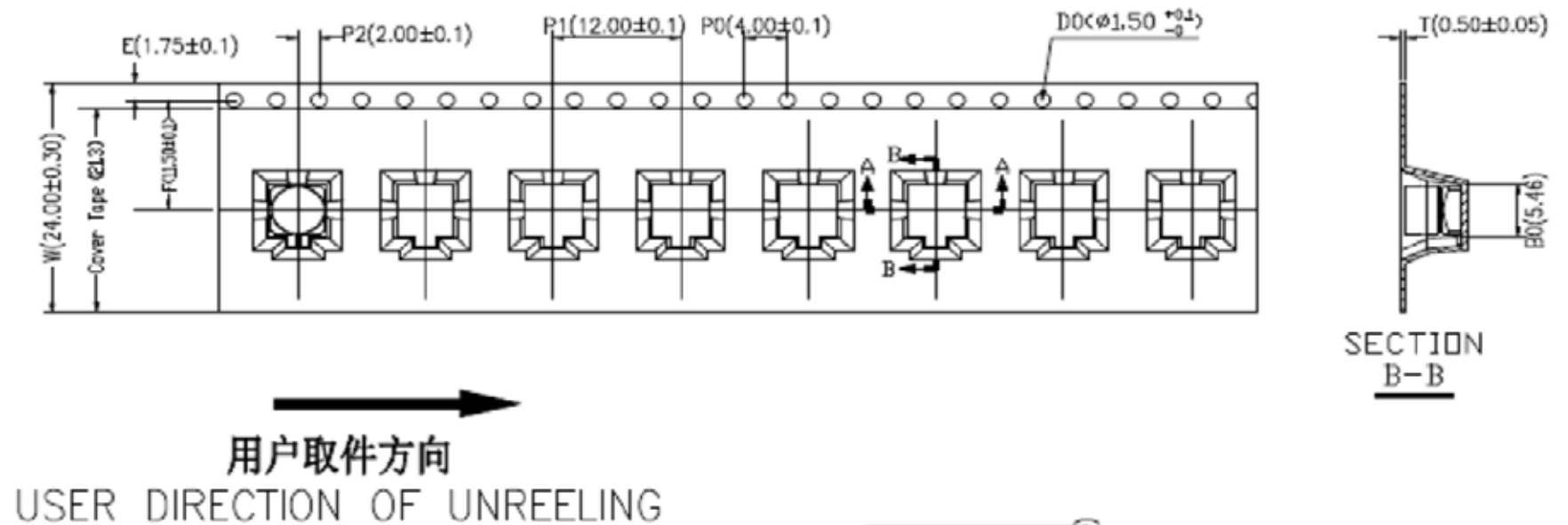
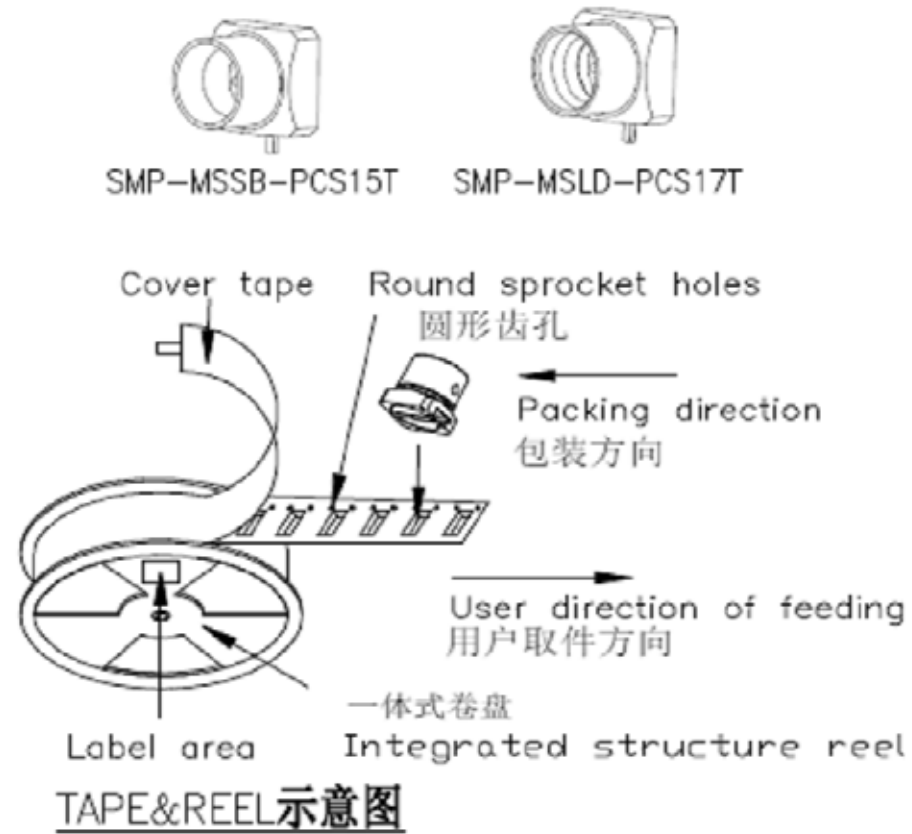
INTERFACE PER MIL-STD-348 SERIES: SMP JACK SMOOTH BORE



CUSTOMER OUTLINE DRAWING
 ALL OTHER SHEETS ARE FOR INTERNAL USE ONLY

| | | | | | |
|---|------------------------------------|-------------------|----------------|--|---|
| UNLESS OTHERWISE SPECIFIED, DIMENSIONS ARE IN METRIC AND TOLERANCES ARE: <0.5mm ±0.05mm 0.5 - 6mm ±0.1mm 6 - 30mm ±0.2mm 30 - 120mm ±0.3mm ANGLES ±1° | MATERIAL | DRAWN STAR | DATE 13-Jun-18 | TITLE SMP STR JACK PCB RECEPTACLE SMOOTH BORE SURFACE MOUNT SCALE: 20.0:1.0 SHEET 2 OF 3 | Amphenol RF www.amphenolrf.com |
| | REFERENCE EAR # AND SMP-MSSB-PCS-T | ENGINEER SUNDE | DATE 13-Jun-18 | | |
| NOTICE - These drawings, specifications, or other data (1) are, and remain the property of Amphenol corp. (2) must be returned upon request; and (3) are confidential and not to be disclosed to any person other than those to whom they are given by Amphenol Corp. the furnishing of these drawings, specifications, or other data by Amphenol Corp., or to any other person to anyone for any purpose is not to be regarded by implication or otherwise in any manner licensing, granting rights to permitting such holder or any other person to manufacture, use or sell any product, process or design, patented or otherwise, that may in any way be related to or disclosed by said drawings, specifications, or other data. | CONFIGURATION LEVEL: In Work | APPROVED S. HSIEH | DATE 13-Jun-18 | DWG SIZE B | REV A |
| | FINISH | | | | |
| | | | | | DRAWING NO. SMP-MSSB-PCSI5T ITEM NO. SMP-MSSB-PCSI5T PART NO. SMP-MSSB-PCSI5T |

| REV | DESCRIPTION | DATE | ECO | APPR |
|-----|-----------------|-----------|-------|------|
| A | RELEASE TO MFG. | 07-Jun-18 | 08221 | BMG |



NOTES:

1. 10 sprocket holes pitch cumulative tolerance ±0.20 mm.
2. Carrier camber not to exceed 1 mm in 250 mm.
3. A0 and B0 measured on a plane 0.3 mm above the bottom of the pocket.
4. K0 measured from a plane on the inside bottom of the pocket to the top surface of the carrier.
5. All dimensions meet EIA-481-D requirements.
6. Material: Black PS (RoHS Compliant)
7. Thickness: 0.50±0.05 mm.
8. Packing length per 13" reel: 10.56 Meters.
9. Component loader per 13" reel: 800 pcs.

注:未注公差為:±0.10

NOTE: ALL TOLERANCES ARE: ±0.10, EXCEPT WHERE NOTED

| ITEM | W | A ₀ | A ₁ | B ₀ | B ₁ | K ₀ | K ₁ | P ₁ | F | E | D ₀ | P ₀ | P ₂ | T |
|------|------------|----------------|----------------|----------------|----------------|----------------|----------------|----------------|------------|-----------|---|----------------|----------------|-----------|
| DIM | 24.00±0.30 | 5.46±0.10 | / | 5.46±0.10 | / | 5.70±0.10 | / | 12.00±0.10 | 11.50±0.10 | 1.75±0.10 | 1.50 ^{+0.10} / _{0.00} | 4.00±0.10 | 2.00±0.10 | 0.50±0.05 |

UNLESS OTHERWISE SPECIFIED, DIMENSIONS ARE IN METRIC AND TOLERANCES ARE:
 < 0.5mm 0.5 - 6mm 6 - 30mm 30 - 120mm ANGLES
 ± 0.05mm ±0.1mm ±0.2mm ± 0.3mm ±1°

NOTICE - These drawings, specifications, or other data (1) are, and remain the property of Amphenol corp. (2) must be returned upon request; and (3) are confidential and not to be disclosed to any person other than those to whom they are given by Amphenol Corp. the furnishing of these drawings, specifications, or other data by Amphenol Corp., or to any other person to anyone for any purpose is not to be regarded by implication or otherwise in any manner licensing, granting rights to permitting such holder or any other person to manufacture, use or sell any product, process or design, patented or otherwise, that may in any way be related to or disclosed by said drawings, specifications, or other data.

| | | | | |
|------------------------------------|-------------------|----------------|--|-----------------------------------|
| MATERIAL | DRAWN STAR | DATE 13-Jun-18 | TITLE SMP STR JACK PCB RECEPTACLE SMOOTH BORE SURFACE MOUNT SCALE: 21.0:1.0 SHEET 3 OF 3 | Amphenol RF www.amphenolrf.com |
| REFERENCE EAR # AND SMP-MSSB-PCS-T | ENGINEER SUNDE | DATE 13-Jun-18 | | |
| CONFIGURATION LEVEL: In Work | APPROVED S. HSIEH | DATE 13-Jun-18 | | |
| FINISH | CAD FILE | DWG SIZE B | REV A | DRAWING NO. SMP-MSSB-PCS15T |
| | | | | ITEM NO. SMP-MSSB-PCS15T |
| | | | | PART NO. SMP-MSSB-PCS15T |