



Accessory for position switch Connector plug (5-pole), M12, for M20 x 1.5 for 125 V, 4 A on Pin 5 a yellow/green cable for PE

product category	Device plug
product designation	Plug connector 5-pin, M12 for 3SE5
<b>General technical data</b>	
degree of pollution	3
overvoltage category	2
surge voltage resistance rated value	800 V
protection class IP	IP67
Substance Prohibition (Date)	07/01/2006
number of poles	5
operating voltage rated value	60 V
<b>Ambient conditions</b>	
ambient temperature during operation	-40 ... +85 °C
<b>Connections/ Terminals</b>	
type of electrical connection	connector M12
type of connectable conductor cross-sections	5x 0.25 mm <sup>2</sup> / AWG24
<b>Approvals Certificates</b>	
General Product Approval	Declaration of Conformity



### Further information

Siemens has decided to exit the Russian market (see here).

<https://press.siemens.com/global/en/pressrelease/siemens-wind-down-russian-business>

Siemens is working on the renewal of the current EAC certificates.

Please contact your local Siemens office on the status of validity of the EAC certification if you intend to import or offer to supply these products to an EAC relevant market (other than the sanctioned EAEU member states Russia or Belarus).

Information on the packaging

<https://support.industry.siemens.com/cs/ww/en/view/109813875>

Information- and Downloadcenter (Catalogs, Brochures,...)

<https://www.siemens.com/ic10>

Industry Mall (Online ordering system)

<https://mall.industry.siemens.com/mall/en/en/Catalog/product?mlfb=3SY3128>

Cax online generator

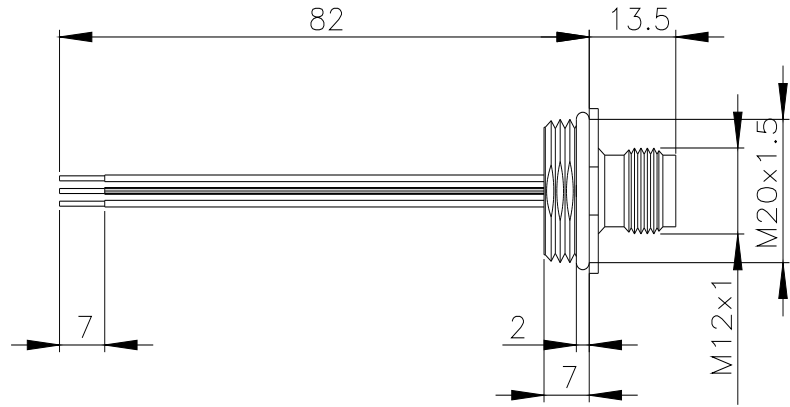
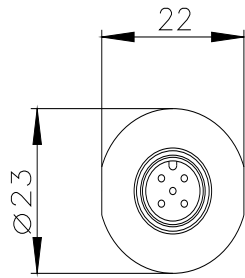
<http://support.automation.siemens.com/WW/CAXorder/default.aspx?lang=en&mlfb=3SY3128>

Service&Support (Manuals, Certificates, Characteristics, FAQs,...)

<https://support.industry.siemens.com/cs/ww/en/ps/3SY3128>

Image database (product images, 2D dimension drawings, 3D models, device circuit diagrams, EPLAN macros, ...)

[http://www.automation.siemens.com/bilddb/cax\\_de.aspx?mlfb=3SY3128&lang=en](http://www.automation.siemens.com/bilddb/cax_de.aspx?mlfb=3SY3128&lang=en)



last modified:

6/25/2022 