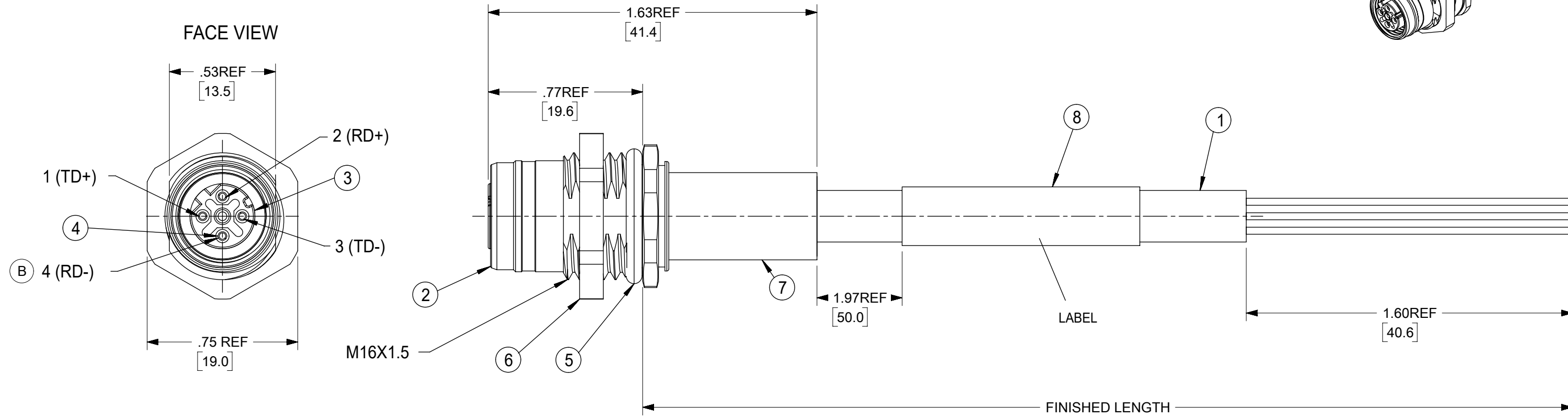
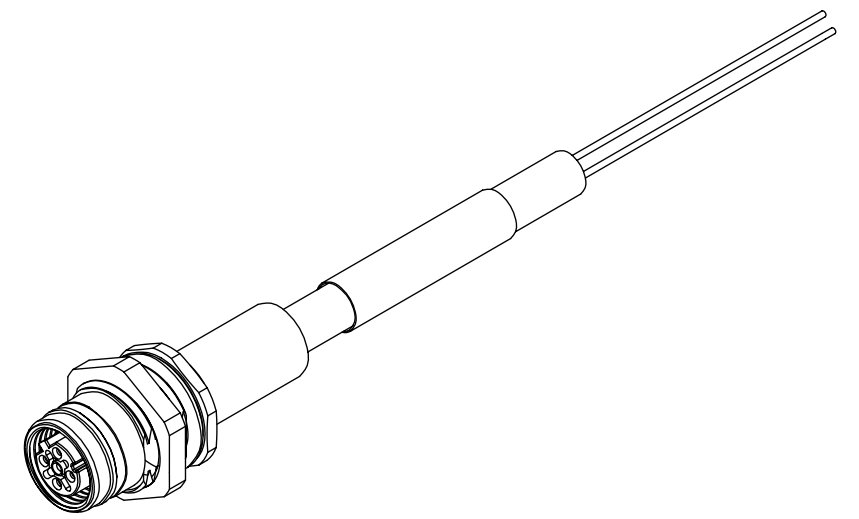
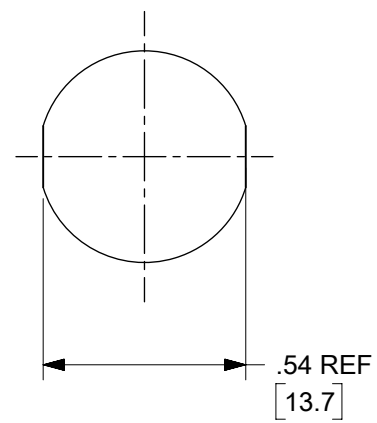


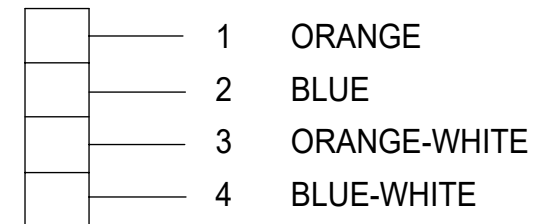
SAP NUMBER	ENGINEERING NUMBER	FINISHED LENGTH
1300540012	ERWAAJ4002M002	7.87" +.75-0[.2M +19.0-0]
1300540013	ERWAAJ4002M020	76.56"+3.50"-0[2M+89.0-0]



TYPICAL KNOCKOUT



WIRING CONNECTION



- NOTES:
 1. MATERIALS: SEE TABLE
 2. FINISH: SEE TABLE
 3. ELECTRICAL SPECIFICATIONS:
 VOLTAGE: 125V
 CURRENT RATING: 1.5A
 4. ENVIRONMENTAL:
 TEMP RANGE: -25°C - 75°C
 5. ASSEMBLY IS ROHS COMPLIANT BY EXCEPTION

ITEM	COMPONENT	MATERIAL	FINISH
8	LABEL	MYLAR	BLK/YLW
7	SLEEVE	BRASS	NICKEL PLATED
6	PANEL NUT	CU ALLOY	NICKEL PLATED
5	O-RING	BUNA-N	BLACK
4	SOCKET CONTACT	CU ALLOY	GOLD PLATED
3	INSERT 4P	NYLON	BLACK
2	RECEPT. SHELL	BRASS	NICKEL PLATED
1	CABLE	ETHERNET CAT 5e(PVC)	JACKET:TEAL

FUNCTIONAL SYMBOLS	THIS DRAWING CONTAINS INFORMATION THAT IS PROPRIETARY TO MOLEX ELECTRONIC TECHNOLOGIES, LLC AND SHOULD NOT BE USED WITHOUT WRITTEN PERMISSION		
	DIMENSION UNITS	SCALE	CURRENT REV DESC: UPDATE PIN 4 TO RD-
$\frac{F}{A} = 0$	mm	1:1	molex M12 D-CODE CORDSET RECEPTACLE PRODUCT CUSTOMER DRAWING
$\frac{E}{C} = 0$	GENERAL TOLERANCES (UNLESS SPECIFIED)		
$\frac{E}{P} = 0$	ANGULAR TOL ± 0.5°		
DIVISIONAL SYMBOLS	4 PLACES ±	EC NO: 663650	
	3 PLACES ±	DRWN: CCHRSTKA 2021/05/11	
	2 PLACES ±	CHK'D: MZIELINSKI 2021/05/13	
	1 PLACE ±	APPR: BWOODMAN 2021/05/14	
	0 PLACES ±	INITIAL REVISION:	
		DRWN: BRUPERT 2010/01/29	
		APPR: JFMURPHY 2010/01/29	
DRAFT WHERE APPLICABLE MUST REMAIN WITHIN DIMENSIONS	THIRD ANGLE PROJECTION	DRAWING	DOCUMENT NUMBER
		C-SIZE	SD-130054-001
		SERIES	DOC TYPE
		130054	PSD
			DOC PART
			001
			REVISION
			B
		MATERIAL NUMBER	SHEET NUMBER
		GENERAL MARKET	1 OF 1

DOCUMENT STATUS	P1	RELEASE DATE	2021/05/14	23:22:57
-----------------	----	--------------	------------	----------