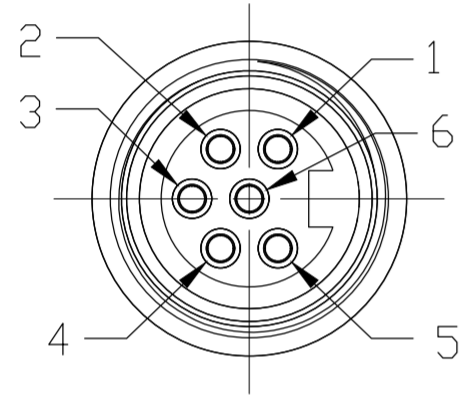
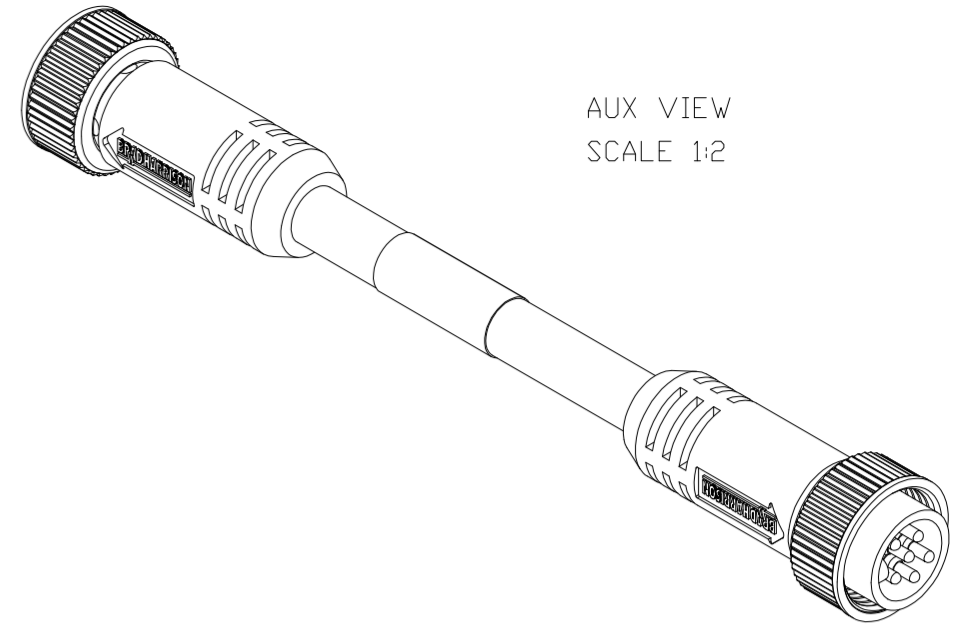
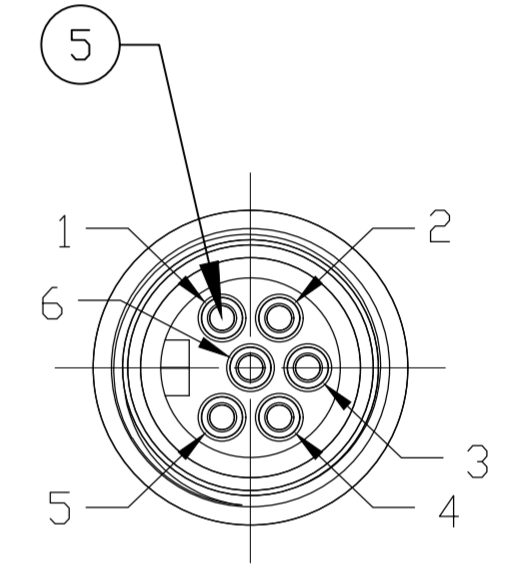
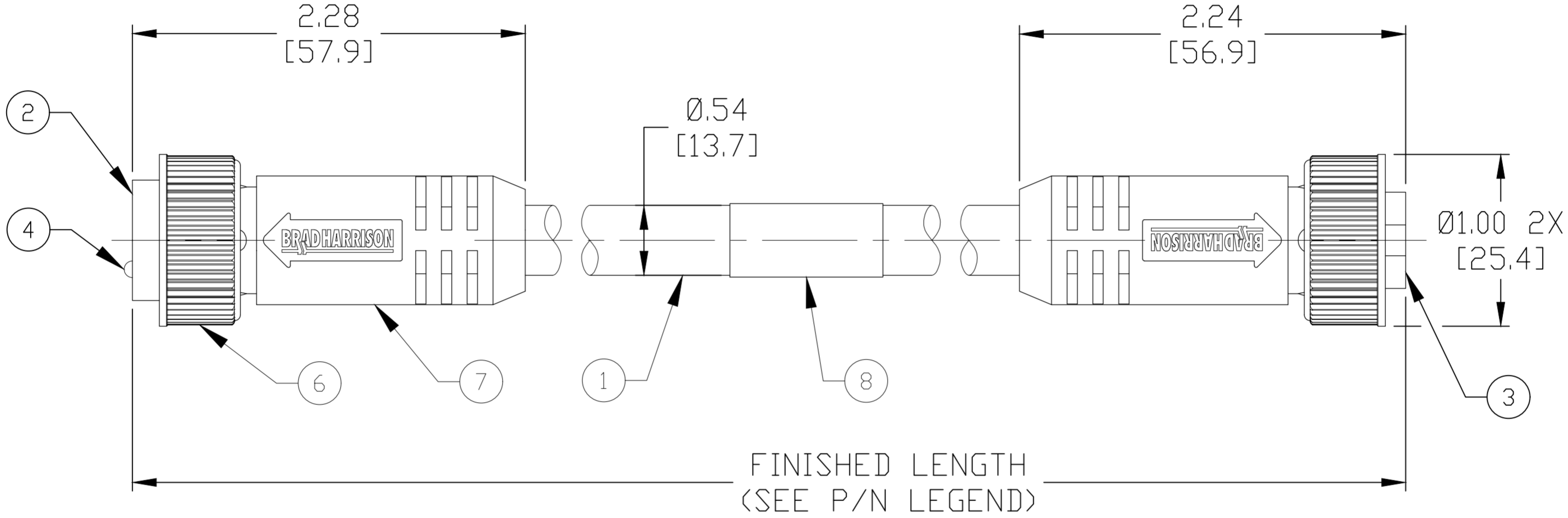


MATERIAL NUMBER	ENGINEERING NUMBER	FINISHED LENGTH	COUPLING MAT.	COLOR
1300101312	116020A01F030	3.0FT [0.9M]	DIE-CAST ZINC	BLACK
1300101316	116020A01F060	6.0FT [1.8M]		
1300101327	116020A01F120	12.0FT [3.7M]		
1300101338	116020A01F200	20.0FT [6.1M]		
1300101313	116020A01F0301	3.0FT [0.9M]	303 SS	PASSIVATED
1300101328	116020A01F1201	12.0FT [3.7M]		
1300101319	116020A01F0608	6.0FT [1.8M]	316 SS	PASSIVATED

**CABLE LENGTH TOLERANCES**  
 <.3M [1FT]: +19mm-0 [ +.75in-0]  
 .3 - .9M [1 - 3FT]: +44.5mm-0 [+1.75in-0]  
 .9 - 1.8M [3 - 6FT]: +55.6mm-0 [+2.19in-0]  
 1.8 - 3.7M [6 - 12FT]: +88.9mm-0 [+3.50in-0]  
 3.7 - 7.3M [12 - 24FT]: +165.1mm-0 [+6.50in-0]  
 7.3-14.6M [24 - 48FT]: +317.5mm-0 [+12.50in-0]  
 14.6 - 30.5M [48-100FT]: +622.3mm-0 [+24.50in-0]  
 OVER 30M [100FT] +2% OF FINISHED LENGTH



MALE FACE VIEW



FEMALE FACE VIEW

FINISHED LENGTH  
(SEE P/N LEGEND)

- NOTES:**
- MATERIAL: AS NOTED
  - FINISH: AS NOTED
  - ELECTRICAL:  
VOLTAGE: 400V PER IEC 60664  
600V PER UL 2238  
CURRENT: 8A
  - TEMP RATING: -20°C TO +105°C
  - PROTECTION: IP67 (WHEN MATED)
  - COUPLING THREAD: 7/8-16UN
  - UL RECOGNIZED FILE: E152210  
CSA CERTIFIED FILE: LR6837
  - ALL DIMS ARE FOR REFERENCE UNLESS TOLERANCED OR NOTED OTHERWISE

**PART NUMBER LEGEND**

116020A01F0301

FINISHED LENGTH ——— COUPLING OPT'S

F020= 2 FEET                      BLANK= DIE-CAST ZINC  
 F100= 10 FEET                    01= 303SS  
 M005= 0.5 METER                08= 316 SS  
 M010= 1.0 METER  
 M100= 10.0 METERS

**WIRING DIAGRAM**

MALE		FEMALE
1	WHITE	1
2	RED	2
3	GREEN/YELLOW - GND	3
4	ORANGE	4
5	BLACK	5
6	BLUE	6

ITEM	DESCRIPTION	MATERIAL	FINISH
8	LABEL	VINYL	BLACK/YELLOW
7	OVERMOLD	TPE (B)	YELLOW
6	COUPLING NUT	SEE P/N MATRIX	SEE P/N MATRIX
5	CONTACT SOCKET	BRASS	GOLD OVER NICKEL
4	CONTACT PIN	BRASS	GOLD OVER NICKEL
3	FEMALE INSERT, 6 POLE	TPE (B)	YELLOW
2	MALE INSERT, 6 POLE	TPE (B)	YELLOW
1	CABLE, ST00W/ST #16/6	PVC JACKET	YELLOW

THIS DRAWING CONTAINS INFORMATION THAT IS PROPRIETARY TO MOLEX ELECTRONIC TECHNOLOGIES, LLC AND SHOULD NOT BE USED WITHOUT WRITTEN PERMISSION

FUNCTIONAL SYMBOLS	DIMENSION UNITS	SCALE	CURRENT REV DESC: UPDATE PER LATEST DOC STD, ADD P/N LEGEND & LENGTH TOLS, UPDATE NOTES O-MOLD AND INSERTS WERE PVC
	INCH/MM	1:1	
	GENERAL TOLERANCES (UNLESS SPECIFIED)		
	4 PLACES	±--- ±---	
DIVISIONAL SYMBOLS	3 PLACES	±--- ±---	EC NO: 644995
	2 PLACES	±--- ±0.01	DRWN: RSTONE 2020/09/03
	1 PLACE	±0.3 ±---	CHK'D: MZIELINSKI 2020/09/09
	0 PLACES	±--- ±---	APPR: BWOODMAN 2020/10/12
ANGULAR TOL ± --- °		INITIAL REVISION:	
DRAFT WHERE APPLICABLE MUST REMAIN WITHIN DIMENSIONS		DRWN: LHARTMAN 2009/08/10	
THIRD ANGLE PROJECTION		APPR: JFMURPHY 2009/08/14	
DRAWING		SERIES	DOCUMENT NUMBER
C-SIZE		130010	SD-130010-007
MATERIAL NUMBER		CUSTOMER	DOC TYPE/DOC PART/REVISION
GENERAL MARKET			PSD 001 B
SHEET NUMBER			1 OF 1