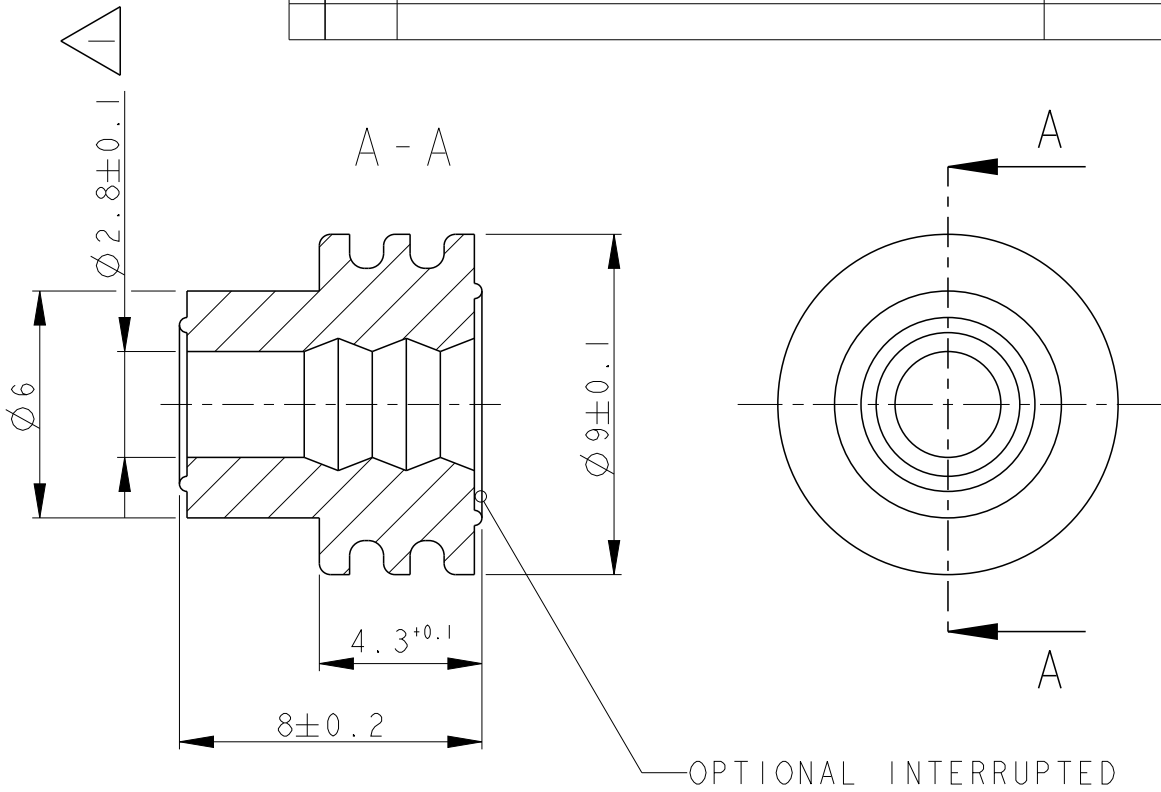

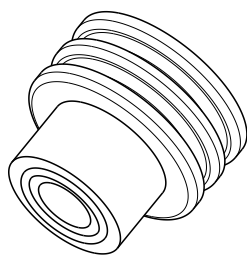


REVISIONS				
P	LTR	DESCRIPTION	DATE	APVD
	A3	REVISED (ECR-15-003702)	09MAR2015	M.G. M.G.





DEDICATED FOR INSULATION DIA:
 3.4-3.7mm (FLR CABLE - WIRE SIZE 4.0mm²)
 3.4-3.74mm (ALUMINIUM WIRE ONLY - WIRE SIZE 4mm²)
SEALING FOR STANDARD-POWER-TIMER, AMP MCP6.3/4.8K AND 5.8mm TAB



BLUE	SILICONE 50° SHORE A INHERENTLY LUBRICATED	1394512-1
COLOR	MATERIAL	PART Nr.

2000
 RELEASED FOR PUBLICATION
 ALL RIGHTS RESERVED.
 BY -
 COPYRIGHT 2000

DIMENSIONS: mm	DWN R. Schaefer	19OCT2000	MATERIAL	SEE TABLE	FINISH	SEE TABLE
	CHK U. Muenk	19OCT2000	 TE Connectivity			
TOLERANCES UNLESS OTHERWISE SPECIFIED:	APVD	-				
0 PLC ±0.2	PRODUCT SPEC	-	SIZE	CAGE CODE	DRAWING NO	RESTRICTED TO
1 PLC ±0.2	APPLICATION SPEC	-	A4	-	C-1394512	-
2 PLC ±	WEIGHT	0.25 gr	Customer Drawing			
3 PLC ±-			SCALE	5:1	SHEET	1 OF 1
4 PLC ±-					REV	A3
ANGLES ±1°						