

NOTES:

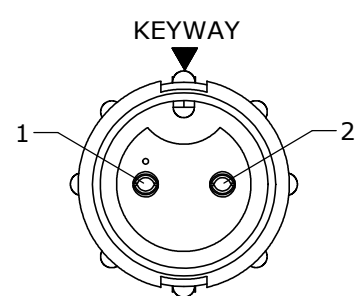
1. ALL PARTS ARE BULK PACKED
2. CONTACTS ARE INSTALLED INTO CONNECTOR
3. ALL DIMENSIONS ARE REFERENCE EXCEPT THOSE WITH A TOLERANCE

ASSY P/N	GROMMET SIZE
8282-XSG-513	.148 GROMMET I.D. FOR CABLE OD .13-.15 [3.3-3.8mm]
8282-XSG-516	.176 GROMMET I.D. FOR CABLE OD .16-.18 [4.1-4.6mm]
8282-XSG-519	.206 GROMMET I.D. FOR CABLE OD .19-.21 [4.8-5.3mm]
8282-XSG-522	.245 GROMMET I.D. FOR CABLE OD .22-.25 [5.6-6.4mm]
8282-XSG-526	.265 GROMMET I.D. FOR CABLE OD .25-.27 [6.3-6.8mm]
8282-XSG-528	.280 GROMMET I.D. FOR CABLE OD .26-.285 [6.6-7.2mm]

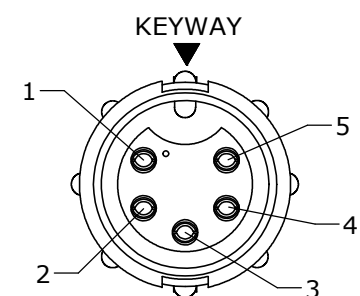
KIT P/N	NO. OF CONTACTS
8282-2SG-5XX	(2)-#20
8282-3SG-5XX	(3)-#20
8282-4SG-5XX	(4)-#20
8282-5SG-5XX	(5)-#20
8282-6SG-5XX	(6)-#20
8282-XSG-5XX	

GROMMET SIZE
NO. OF CONTACTS

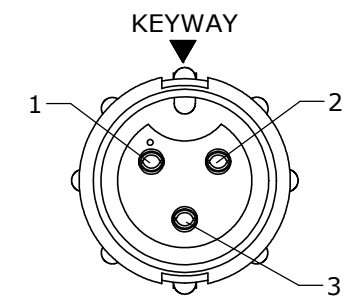
GROMMET SIZE
NO. OF CONTACTS



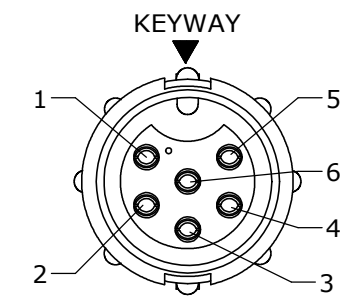
FACE VIEW
8282-2SG-5XX



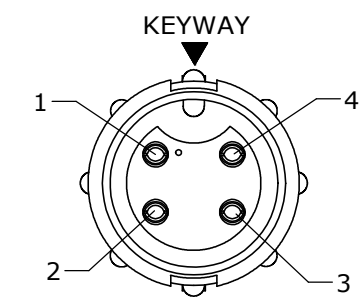
FACE VIEW
8282-5SG-5XX



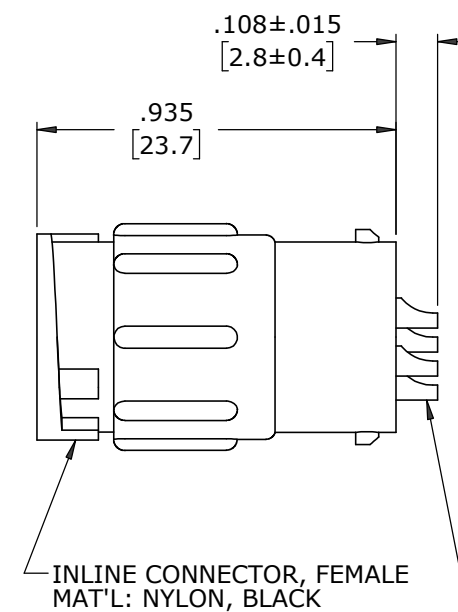
FACE VIEW
8282-3SG-5XX



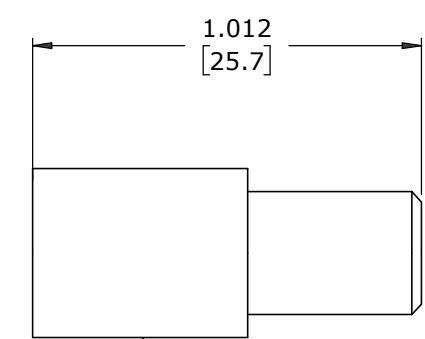
FACE VIEW
8282-6SG-5XX



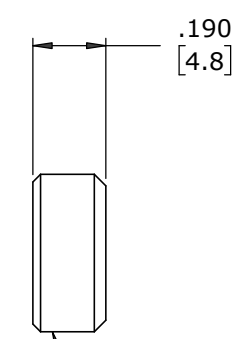
FACE VIEW
8282-4SG-5XX



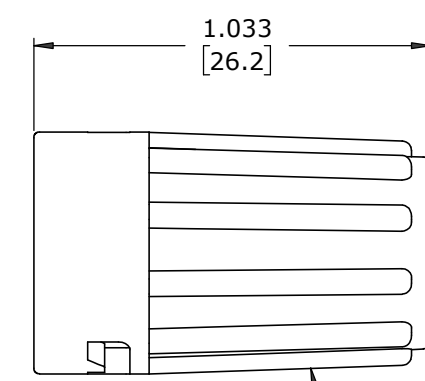
INLINE CONNECTOR, FEMALE
MAT'L: NYLON, BLACK



GROMMET
MAT'L: SANTOPRENE, BLACK

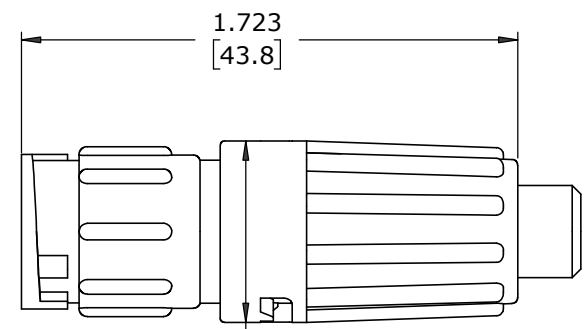


CABLE GRIP
MAT'L: POLYPROPYLENE, BLACK



BACKSHELL
MAT'L: NYLON, BLACK

(2-6) #20 SOCKET CONTACTS, SOLDER
MAT'L: GOLD PLATED, COPPER ALLOY



SHOWN ASSEMBLED KIT
FOR CUSTOMER REFERENCE ONLY

DIMENSIONS IN BRACKETS [] ARE IN MILLIMETERS

CUSTOMER APPROVAL			
THIS DOCUMENT CONTAINS CONFIDENTIAL INFORMATION PROPRIETARY TO CONXALL CORPORATION. ANY REPRODUCTION, DISCLOSURE, OR USE OF THIS DOCUMENT /INFORMATION IS EXPRESSLY PROHIBITED UNLESS AUTHORIZED IN WRITING BY CONXALL CORPORATION.			
B	MA	02-22-21	ADDED 8282-XSG-526 TO CHART PER ECR 9544
A	AN	05-11-17	DRAWING CREATED PER DOR 17-E149SL #7
REV.	INIT.	DATE	DESCRIPTION
	AN	05-09-17	
APPROVED BY:		TITLE: CABLE TO CABLE CONN. ASSY (2-6) #20 SOCKET CONTACTS, SOLDER MINI-CON-X, LONG BACKSHELL STANDARD PRODUCT	
DATE:		CUSTOMER: 8282-XSG-5XX	
SCALE	SIZE	SHEET	REV
NTS	B	1 OF 1	B
FILE:	DIRECTORY:	PART NUMBER:	
8282-XSG-5XX	SLW	8282-XSG-5XX	

RoHS COMPLIANT

CRITICAL CHARACTERISTIC FLAG PER SPEC. XXXX