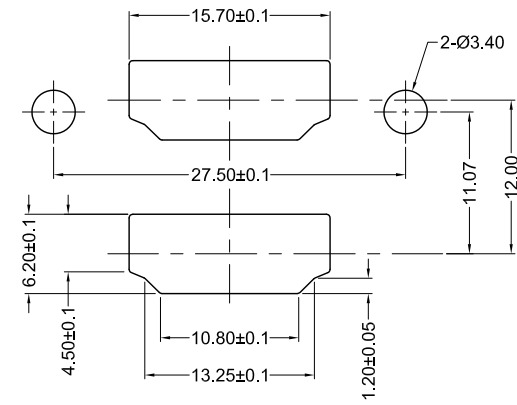
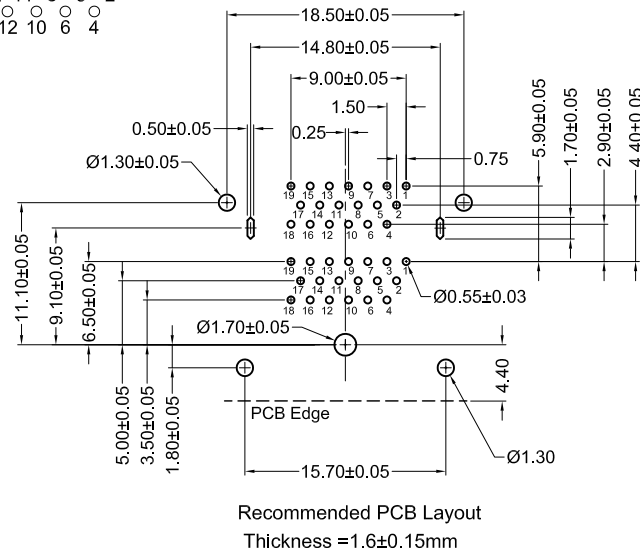
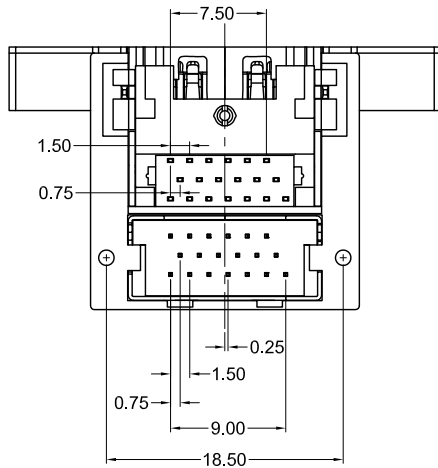
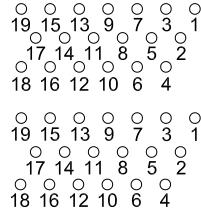


Pin Numbers



Material and Finish

- Insulator: PBT Thermoplastic, UL94V-0 Rated, Black Color
- Contact: Copper Alloy
- Contact Plating: 15u" Gold Plated on Contact Area, Tin Plated on Solder Tail, Nickel Underplated
- Shell: Copper Alloy, Tin over Nickel Plated

Electrical Characteristics

- Current Rating: 0.5A Per Contact Minimum
- Voltage Rating: 40V AC (RMS)
- Insulation Resistance: 10 Megohms Min. (mated), 100 Megohms Min. (unmated)
- Dielectric Withstanding: 300V AC Min. (mated), 500V AC Min. (unmated)
- Operating Temperature: -25°C to +85°C



Tolerances
X.X ± 0.40
X.XX ± 0.25
Unless Stated Otherwise

REV.	DATE	DESCRIPTION	REV. BY	CHK. BY	DRAWN BY	DATE
A2	06/11/08	Add Pin No.	S. Vien	H. MA	WILL H.	11/19/07
A3	02/21/12	ECO #12-007	S. Vien	H. MA		
A4	04/23/12	ECO #12-024	S. Vien	P. DalCanto		
A5	04/26/13	ECO #13-018	W. Cook	P. DalCanto	UNITS	mm
A6	11/04/14	ECO #14-049	C. Kelleher	H. MA		
A7	08/03/18	Address Update	G. Serrato	D. Shehan		

KDMI42X-FS2-WS-B15

Dual HDMI Stacked Connector, RoHs Compliant

Through Hole Shield With Flange

