



Circuit breaker size S0 for motor protection, CLASS 10 A-release 1.1...1.6 A N-release 21 A Spring-type terminal Standard switching capacity

<b>product brand name</b>	SIRIUS
<b>product designation</b>	Circuit breaker
<b>design of the product</b>	For motor protection
<b>product type designation</b>	3RV2
<b>General technical data</b>	
<b>size of the circuit-breaker</b>	S0
<b>size of contactor can be combined company-specific</b>	S00, S0
product extension auxiliary switch	Yes
<b>power loss [W] for rated value of the current</b>	
• at AC in hot operating state	7.25 W
• at AC in hot operating state per pole	2.4 W
insulation voltage with degree of pollution 3 at AC rated value	690 V
<b>surge voltage resistance rated value</b>	6 kV
shock resistance according to IEC 60068-2-27	25g / 11 ms
<b>mechanical service life (switching cycles)</b>	
• of the main contacts typical	100 000
• of auxiliary contacts typical	100 000
electrical endurance (switching cycles) typical	100 000
<b>type of protection according to ATEX directive 2014/34/EU</b>	Ex II (2) GD
certificate of suitability according to ATEX directive 2014/34/EU	DMT 02 ATEX F 001
<b>reference code according to IEC 81346-2</b>	Q
<b>Substance Prohibitance (Date)</b>	10/01/2009
<b>Ambient conditions</b>	
installation altitude at height above sea level maximum	2 000 m
<b>ambient temperature</b>	
• during operation	-20 ... +60 °C
• during storage	-50 ... +80 °C
• during transport	-50 ... +80 °C
relative humidity during operation	10 ... 95 %
<b>Main circuit</b>	
<b>number of poles for main current circuit</b>	3
<b>adjustable current response value current of the current-dependent overload release</b>	1.1 ... 1.6 A
<b>operating voltage</b>	
• rated value	20 ... 690 V
• at AC-3 rated value maximum	690 V
• at AC-3e rated value maximum	690 V

<b>operating frequency rated value</b>	50 ... 60 Hz
<b>operational current rated value</b>	1.6 A
<b>operational current</b>	
• at AC-3 at 400 V rated value	1.6 A
• at AC-3e at 400 V rated value	1.6 A
<b>operating power</b>	
• at AC-3	
— at 230 V rated value	0.3 kW
— at 400 V rated value	0.6 kW
— at 500 V rated value	0.8 kW
— at 690 V rated value	1.1 kW
• at AC-3e	
— at 230 V rated value	0.3 kW
— at 400 V rated value	0.6 kW
— at 500 V rated value	0.8 kW
— at 690 V rated value	1.1 kW
<b>operating frequency</b>	
• at AC-3 maximum	15 1/h
• at AC-3e maximum	15 1/h
<b>Auxiliary circuit</b>	
<b>number of NC contacts for auxiliary contacts</b>	0
<b>number of NO contacts for auxiliary contacts</b>	0
number of CO contacts for auxiliary contacts	0
<b>Protective and monitoring functions</b>	
<b>product function</b>	
• ground fault detection	No
• phase failure detection	Yes
<b>trip class</b>	CLASS 10
<b>design of the overload release</b>	thermal
<b>breaking capacity maximum short-circuit current (I<sub>cu</sub>)</b>	
• at AC at 240 V rated value	100 kA
• at AC at 400 V rated value	100 kA
• at AC at 500 V rated value	100 kA
• at AC at 690 V rated value	100 kA
<b>breaking capacity operating short-circuit current (I<sub>cs</sub>) at AC</b>	
• at 240 V rated value	100 kA
• at 400 V rated value	100 kA
• at 500 V rated value	100 kA
• at 690 V rated value	100 kA
response value current of instantaneous short-circuit trip unit	21 A
<b>UL/CSA ratings</b>	
<b>full-load current (FLA) for 3-phase AC motor</b>	
• at 480 V rated value	1.6 A
• at 600 V rated value	1.6 A
<b>yielded mechanical performance [hp]</b>	
• for single-phase AC motor	
— at 230 V rated value	0.1 hp
• for 3-phase AC motor	
— at 460/480 V rated value	1 hp
— at 575/600 V rated value	0.8 hp
<b>Short-circuit protection</b>	
<b>product function short circuit protection</b>	Yes
<b>design of the short-circuit trip</b>	magnetic
<b>Installation/ mounting/ dimensions</b>	
<b>mounting position</b>	any
<b>fastening method</b>	screw and snap-on mounting onto 35 mm standard mounting rail according to DIN EN 60715
<b>height</b>	119 mm

<b>width</b>	45 mm
<b>depth</b>	97 mm
<b>required spacing</b>	
<ul style="list-style-type: none"> <li>• for grounded parts at 400 V <ul style="list-style-type: none"> <li>— downwards 30 mm</li> <li>— upwards 30 mm</li> <li>— at the side 9 mm</li> </ul> </li> <li>• for live parts at 400 V <ul style="list-style-type: none"> <li>— downwards 30 mm</li> <li>— upwards 30 mm</li> <li>— at the side 9 mm</li> </ul> </li> <li>• for grounded parts at 500 V <ul style="list-style-type: none"> <li>— downwards 30 mm</li> <li>— upwards 30 mm</li> <li>— at the side 9 mm</li> </ul> </li> <li>• for live parts at 500 V <ul style="list-style-type: none"> <li>— downwards 30 mm</li> <li>— upwards 30 mm</li> <li>— at the side 9 mm</li> </ul> </li> <li>• for grounded parts at 690 V <ul style="list-style-type: none"> <li>— downwards 50 mm</li> <li>— upwards 50 mm</li> <li>— backwards 0 mm</li> <li>— at the side 30 mm</li> <li>— forwards 0 mm</li> </ul> </li> <li>• for live parts at 690 V <ul style="list-style-type: none"> <li>— downwards 50 mm</li> <li>— upwards 50 mm</li> <li>— backwards 0 mm</li> <li>— at the side 30 mm</li> <li>— forwards 0 mm</li> </ul> </li> </ul>	
<b>Connections/ Terminals</b>	
<b>type of electrical connection</b>	
<ul style="list-style-type: none"> <li>• for main current circuit</li> </ul>	spring-loaded terminals
<b>arrangement of electrical connectors for main current circuit</b>	Top and bottom
<b>type of connectable conductor cross-sections</b>	
<ul style="list-style-type: none"> <li>• for main contacts <ul style="list-style-type: none"> <li>— solid or stranded 2x (1 ... 10 mm<sup>2</sup>)</li> <li>— finely stranded with core end processing 2x (1 ... 6 mm<sup>2</sup>)</li> <li>— finely stranded without core end processing 2x (1 ... 6 mm<sup>2</sup>)</li> </ul> </li> <li>• at AWG cables for main contacts 2x (18 ... 8)</li> </ul>	
<b>design of screwdriver shaft</b>	Diameter 3 mm
<b>size of the screwdriver tip</b>	3,0 x 0,5 mm
<b>Safety related data</b>	
<b>B10 value</b>	
<ul style="list-style-type: none"> <li>• with high demand rate according to SN 31920</li> </ul>	5 000
<b>proportion of dangerous failures</b>	
<ul style="list-style-type: none"> <li>• with low demand rate according to SN 31920</li> <li>• with high demand rate according to SN 31920</li> </ul>	50 % 50 %
<b>failure rate [FIT]</b>	
<ul style="list-style-type: none"> <li>• with low demand rate according to SN 31920</li> </ul>	50 FIT
T1 value for proof test interval or service life according to IEC 61508	10 y
<b>protection class IP on the front according to IEC 60529</b>	IP20
<b>touch protection on the front according to IEC 60529</b>	finger-safe, for vertical contact from the front
display version for switching status	Handle
<b>Certificates/ approvals</b>	
<b>General Product Approval</b>	



[Confirmation](#)



[KC](#)



For use in hazardous locations

Declaration of Conformity

Test Certificates



[Special Test Certificate](#)

[Type Test Certificates/Test Report](#)

Marine / Shipping



Marine / Shipping

other

Railway



[Confirmation](#)



[Confirmation](#)

[Vibration and Shock](#)

Further information

Information- and Downloadcenter (Catalogs, Brochures,...)

<https://www.siemens.com/ic10>

Industry Mall (Online ordering system)

<https://mall.industry.siemens.com/mall/en/en/Catalog/product?mlfb=3RV2021-1AA20>

Cax online generator

<http://support.automation.siemens.com/WW/CAXorder/default.aspx?lang=en&mlfb=3RV2021-1AA20>

Service&Support (Manuals, Certificates, Characteristics, FAQs,...)

<https://support.industry.siemens.com/cs/ww/en/ps/3RV2021-1AA20>

Image database (product images, 2D dimension drawings, 3D models, device circuit diagrams, EPLAN macros, ...)

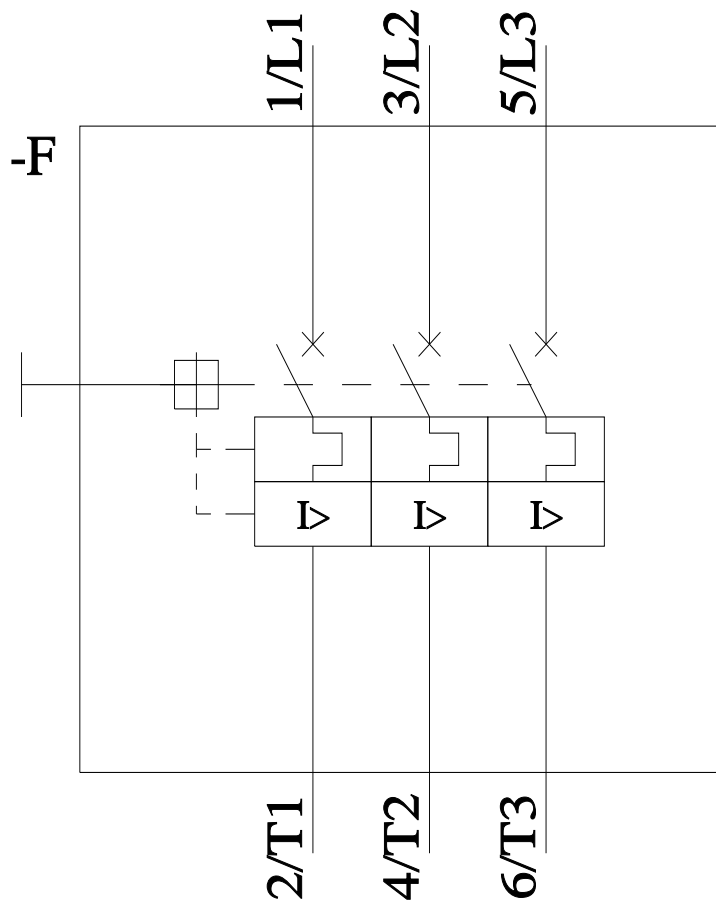
[http://www.automation.siemens.com/bilddb/cax\\_de.aspx?mlfb=3RV2021-1AA20&lang=en](http://www.automation.siemens.com/bilddb/cax_de.aspx?mlfb=3RV2021-1AA20&lang=en)

Characteristic: Tripping characteristics, I<sup>t</sup>, Let-through current

<https://support.industry.siemens.com/cs/ww/en/ps/3RV2021-1AA20/char>

Further characteristics (e.g. electrical endurance, switching frequency)

<http://www.automation.siemens.com/bilddb/index.aspx?view=Search&mlfb=3RV2021-1AA20&objecttype=14&gridview=view1>



last modified:

6/25/2022 