
General purpose xPSK power line communication module

Data brief

**Features**

- Insulation from the high voltage mains
- Interfaces included:
 - USB interface
 - Dual DC power supply
 - Digital interface
 - DC or AC insulated bus interface
- xPSK modulation with bitrate up to 28.8 kbps
- RoHS compliant

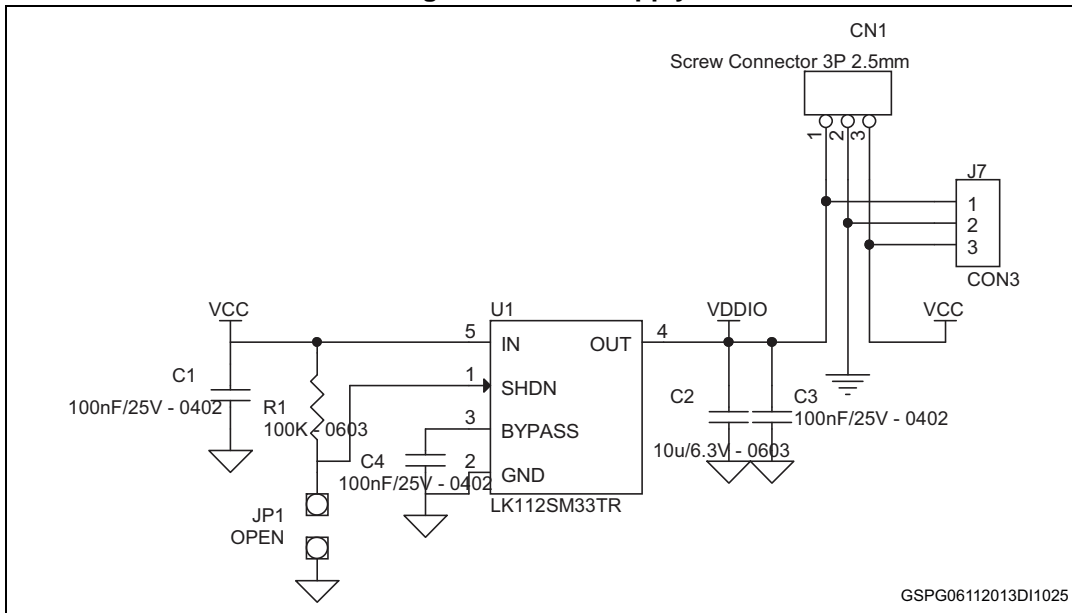
Description

The STEVAL-IPP003V1 evaluation board is a PLM communication module that can be used for a large set of applications, including metering, building automation and street lighting. The module is optimized to operate in CENELEC bands, but can also work in FCC and ARIP bands up to 250 kHz with a few modifications.

The module is based on the STM32F103RFT6 ARM Cortex-M3 microcontroller and the ST7580 xPSK narrow band power line modem with up to 28.8 kbps data rate. The MCU mounted on the board can be easily replaced with an equivalent 64-pin MCU from the STM32F2 or STM32F4 family by a few modification in the assembly. The module can be coupled to both AC and DC power line buses and also includes a USB interface for optional PC connection.

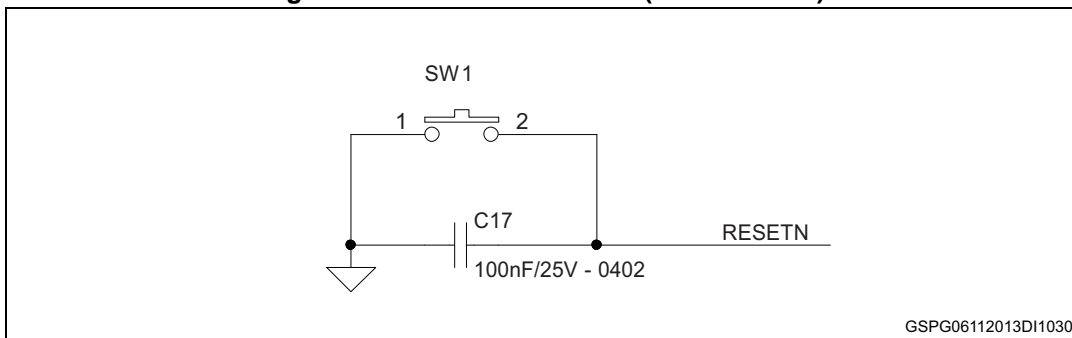
1 Schematic diagram

Figure 1. Power supply



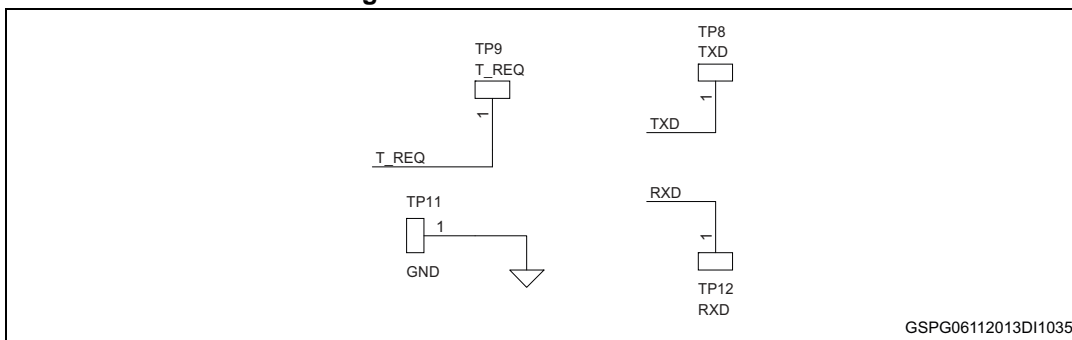
GSPG06112013DI1025

Figure 2. ST7580 reset button (micro-switch)



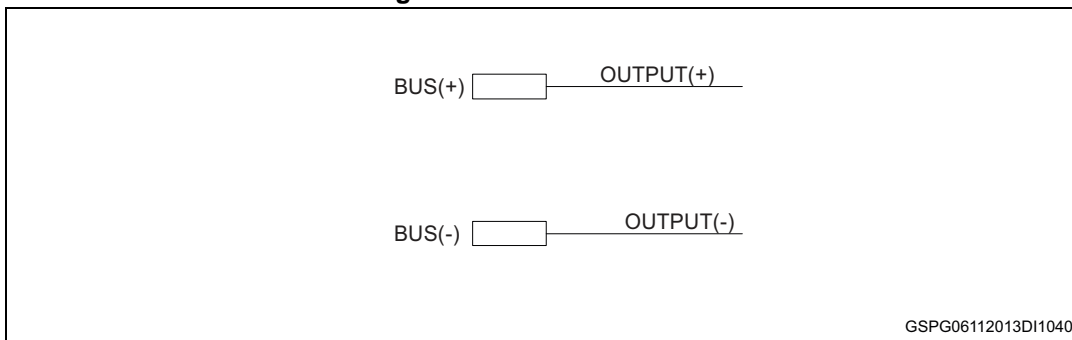
GSPG06112013DI1030

Figure 3. ST7580 UART interface



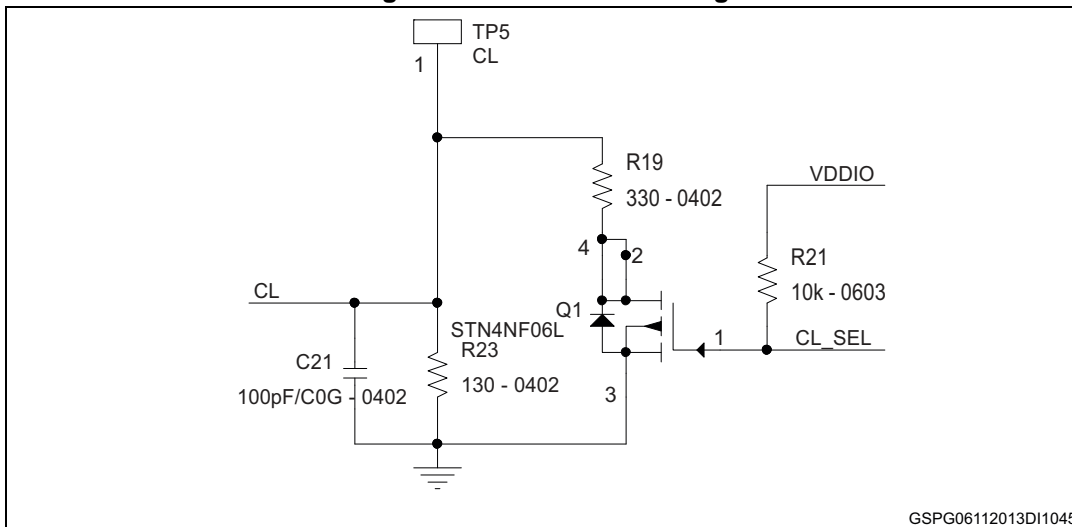
GSPG06112013DI1035

Figure 4. DC BUS / AC BUS



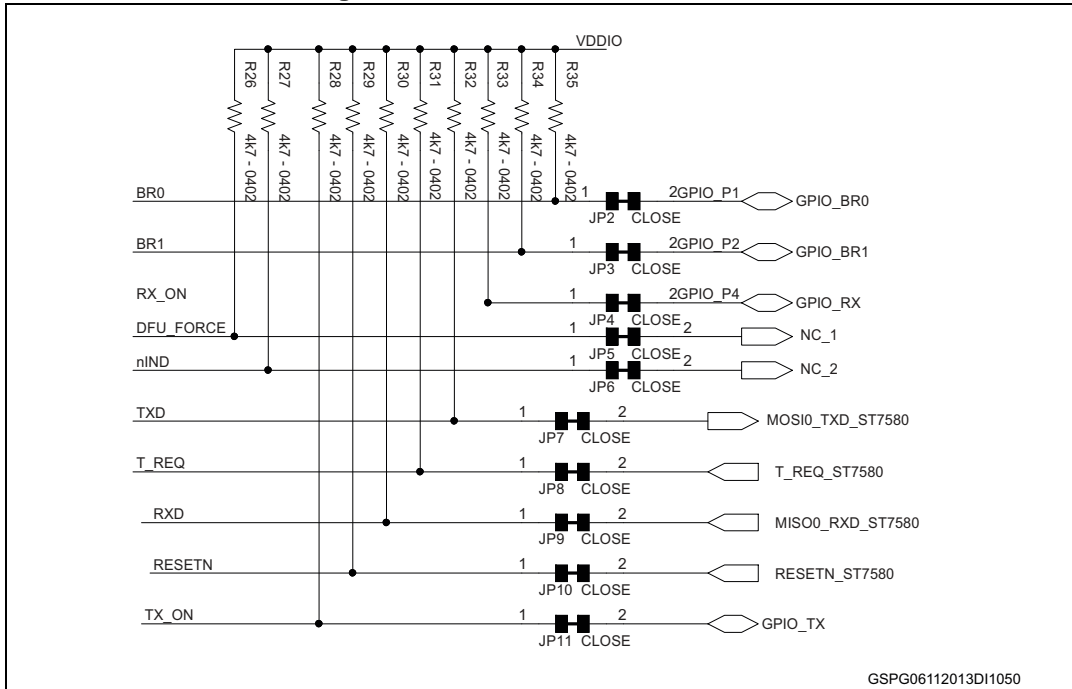
GSPG06112013DI1040

Figure 5. Current limit setting



GSPG06112013DI1045

Figure 6. Microcontroller connection



GSPG06112013DI1050

Figure 7. ST7580 module - PLM

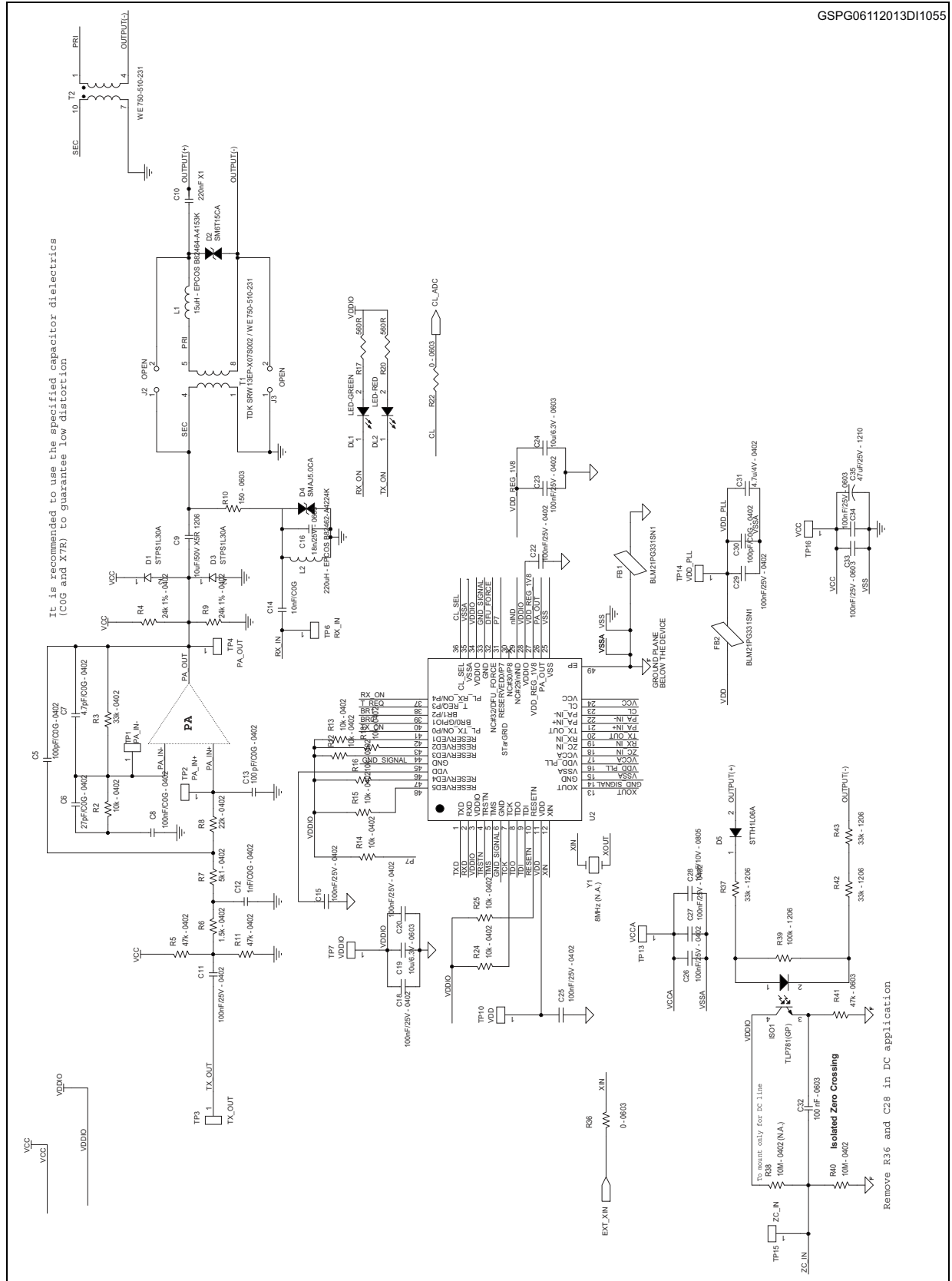
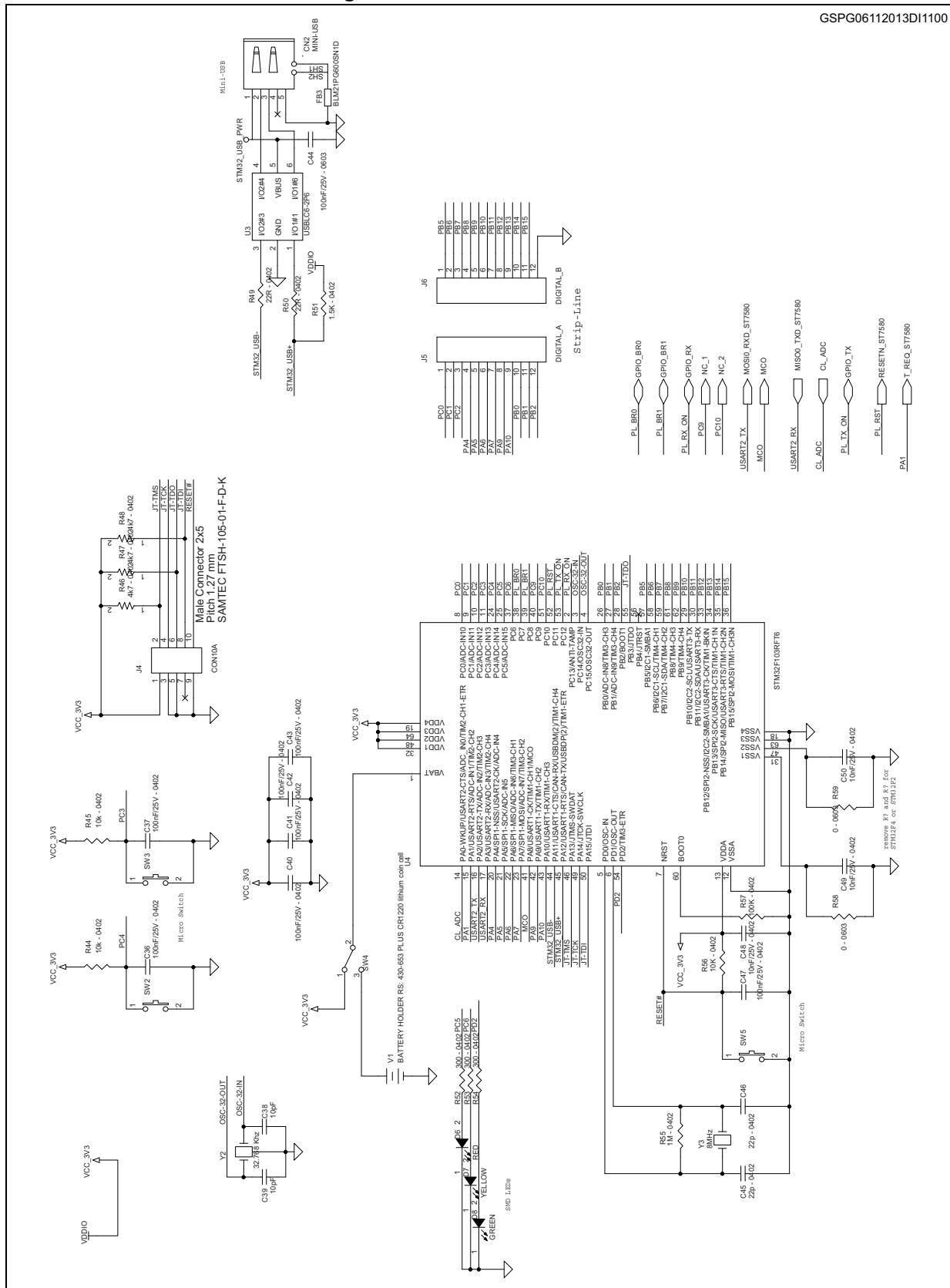


Figure 8. ST7580 module - MCU

GSPG06112013D11100



2 Revision history

Table 1. Document revision history

Date	Revision	Changes
13-Dec-2013	1	Initial release.

Please Read Carefully:

Information in this document is provided solely in connection with ST products. STMicroelectronics NV and its subsidiaries ("ST") reserve the right to make changes, corrections, modifications or improvements, to this document, and the products and services described herein at any time, without notice.

All ST products are sold pursuant to ST's terms and conditions of sale.

Purchasers are solely responsible for the choice, selection and use of the ST products and services described herein, and ST assumes no liability whatsoever relating to the choice, selection or use of the ST products and services described herein.

No license, express or implied, by estoppel or otherwise, to any intellectual property rights is granted under this document. If any part of this document refers to any third party products or services it shall not be deemed a license grant by ST for the use of such third party products or services, or any intellectual property contained therein or considered as a warranty covering the use in any manner whatsoever of such third party products or services or any intellectual property contained therein.

UNLESS OTHERWISE SET FORTH IN ST'S TERMS AND CONDITIONS OF SALE ST DISCLAIMS ANY EXPRESS OR IMPLIED WARRANTY WITH RESPECT TO THE USE AND/OR SALE OF ST PRODUCTS INCLUDING WITHOUT LIMITATION IMPLIED WARRANTIES OF MERCHANTABILITY, FITNESS FOR A PARTICULAR PURPOSE (AND THEIR EQUIVALENTS UNDER THE LAWS OF ANY JURISDICTION), OR INFRINGEMENT OF ANY PATENT, COPYRIGHT OR OTHER INTELLECTUAL PROPERTY RIGHT.

ST PRODUCTS ARE NOT DESIGNED OR AUTHORIZED FOR USE IN: (A) SAFETY CRITICAL APPLICATIONS SUCH AS LIFE SUPPORTING, ACTIVE IMPLANTED DEVICES OR SYSTEMS WITH PRODUCT FUNCTIONAL SAFETY REQUIREMENTS; (B) AERONAUTIC APPLICATIONS; (C) AUTOMOTIVE APPLICATIONS OR ENVIRONMENTS, AND/OR (D) AEROSPACE APPLICATIONS OR ENVIRONMENTS. WHERE ST PRODUCTS ARE NOT DESIGNED FOR SUCH USE, THE PURCHASER SHALL USE PRODUCTS AT PURCHASER'S SOLE RISK, EVEN IF ST HAS BEEN INFORMED IN WRITING OF SUCH USAGE, UNLESS A PRODUCT IS EXPRESSLY DESIGNATED BY ST AS BEING INTENDED FOR "AUTOMOTIVE, AUTOMOTIVE SAFETY OR MEDICAL" INDUSTRY DOMAINS ACCORDING TO ST PRODUCT DESIGN SPECIFICATIONS. PRODUCTS FORMALLY ESCC, QML OR JAN QUALIFIED ARE DEEMED SUITABLE FOR USE IN AEROSPACE BY THE CORRESPONDING GOVERNMENTAL AGENCY.

Resale of ST products with provisions different from the statements and/or technical features set forth in this document shall immediately void any warranty granted by ST for the ST product or service described herein and shall not create or extend in any manner whatsoever, any liability of ST.

ST and the ST logo are trademarks or registered trademarks of ST in various countries.

Information in this document supersedes and replaces all information previously supplied.

The ST logo is a registered trademark of STMicroelectronics. All other names are the property of their respective owners.

© 2013 STMicroelectronics - All rights reserved

STMicroelectronics group of companies

Australia - Belgium - Brazil - Canada - China - Czech Republic - Finland - France - Germany - Hong Kong - India - Israel - Italy - Japan - Malaysia - Malta - Morocco - Philippines - Singapore - Spain - Sweden - Switzerland - United Kingdom - United States of America

www.st.com

