

## CTDLW43SF Series

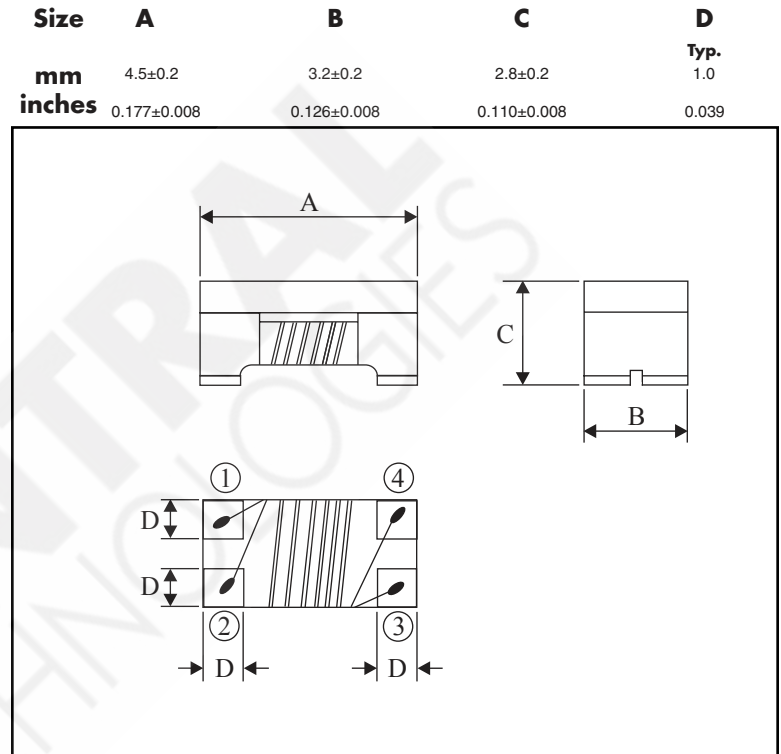
From 11µH to 100µH

### SPECIFICATIONS

Part Number	Common Mode Ind. at 100kHz (µH)	Tolerance (%)	Common Mode Imp. at 10MHz (Ω) Typ.	DCR Max (Ω)	Idc Max (mA)
CTDLW43SF-110Y	11	+50/-30	600	0.6	250
CTDLW43SF-220Y	22	+50/-30	1200	1.0	200
CTDLW43SF-510Y	51	+50/-30	2800	1.0	200
CTDLW43SF-101Y	100	+50/-30	5800	2.0	150



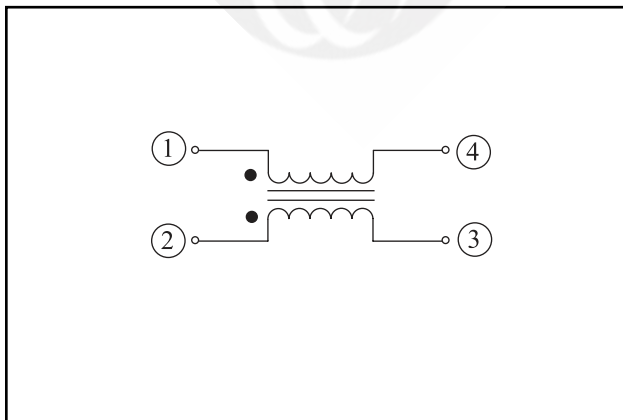
### PHYSICAL DIMENSIONS



### CHARACTERISTICS

- Description:** SMD wire-wound common mode chip inductors
- Applications:** EMI suppression for Data and signal lines, CANbus, Telecom devices, Consumer electronics, etc.
- Operating Temperature:** -40°C to +125°C
- Rated Voltage:** 50 VDC
- Insulation Resistance:** 10 MΩ Min.
- Withstand Voltage:** 125 VDC
- Inductance Tolerance:** +50%/-30%
- Testing:** Inductance is tested on an HP4285A at 100kHz
- Packaging:** Tape & Reel.
- Miscellaneous:** **RoHS Compliant.**
- Additional Information:** Additional electrical & physical information available upon request.
- Samples available. See website for ordering information.**

### EQUIVALENT CIRCUIT



### PAD LAYOUT

