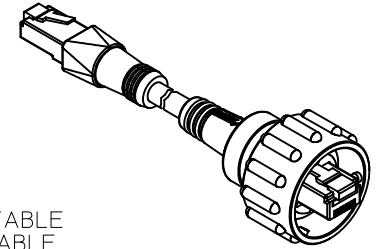
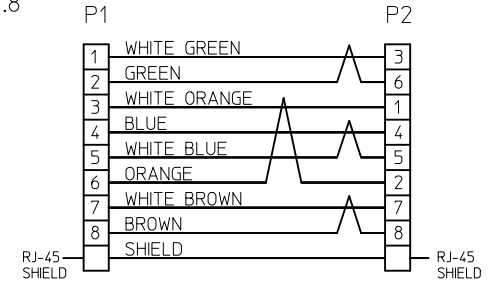
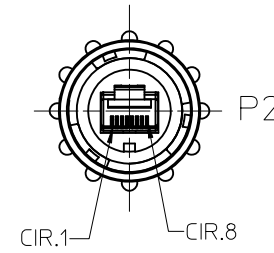
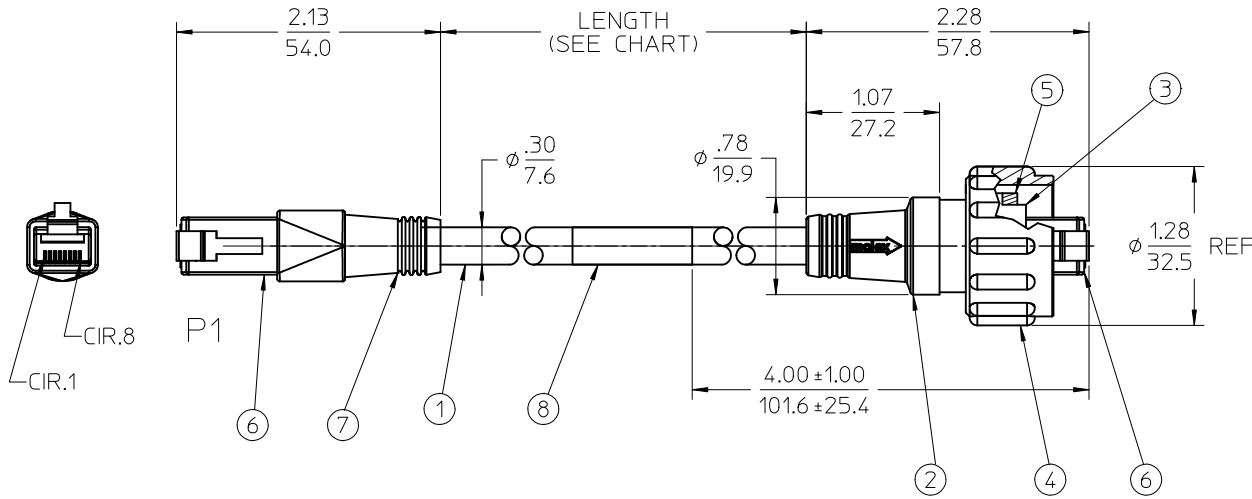


10	9	8	7	6	5	4	3	2	1
MATERIAL NO.	LENGTH								
847029008	100' 0" +6.00"-0 [30.5M +152mm-0]								



- NOTES:
 1. MATERIAL: SEE TABLE
 2. FINISHES: SEE TABLE
 3. SHIELDS ARE CRIMPED ON BOTH ENDS
 4. ASSEMBLY IS RoHS COMPLIANT



WIRING DIAGRAM

8	1	WRAP LABEL	PLASTIC FILM	BLACK/YELLOW
7	1	RJ-45 PLUG OVERMOLD	PVC	BLACK
6	2	RJ-45 PLUG, SHIELDED	PH-BRNZ CONT.	GOLD PLATED
5	1	GASKET SEAL	NITRILE	BLACK
4	1	RJ-45 COUPLING RING	PBT	BLACK
3	1	RJ-45 HOLDER	PBT	BLACK
2	1	OVERMOLD BODY, PVC, BLACK	PVC	BLACK
1	1	CABLE, 4P, 24 AWG, SHIELDED	PVC JACKET	BLACK
ITEM	QTY	DESCRIPTION	MATERIAL	FINISH

ADD WRAP LABEL
 EC NO: WINA2010-0206
 DRAWN BY: CHKDRSTONE
 2009/10/16
 2009/12/15
 APPR: JFMURPHY
 2009/12/15

QUALITY SYMBOLS
 ▽=0
 ▽=0

GENERAL TOLERANCES (UNLESS SPECIFIED)

	mm	INCH
4 PLACES	± .005	± .0004
3 PLACES	± .002	± .0001
2 PLACES	± .001	± .0001
1 PLACE	± 0.25	± .010

ANGULAR ±1/2°

DRAFT WHERE APPLICABLE MUST REMAIN WITHIN DIMENSIONS

DIMENSION STYLE: IN/MM

DRAWN BY: R.STONE
 DATE: 09-28-05

CHECKED BY: R. DEROSS
 DATE: 09-29-05

APPROVED BY: JFMURPHY
 DATE: 2009/12/15

MATERIAL NO. SEE CHART

SCALE: 1:1
 DESIGN UNITS: INCH
 THIRD ANGLE PROJECTION

TITLE: CORD ASSEMBLY, RJ-45 MALE BAYONET TO MALE PLUG, 568B CROSSOVER

MOLEX INCORPORATED

DOCUMENT NO. SD-84702-015
 SHEET NO. 1 OF 1

THIS DRAWING CONTAINS INFORMATION THAT IS PROPRIETARY TO MOLEX INCORPORATED AND SHOULD NOT BE USED WITHOUT WRITTEN PERMISSION