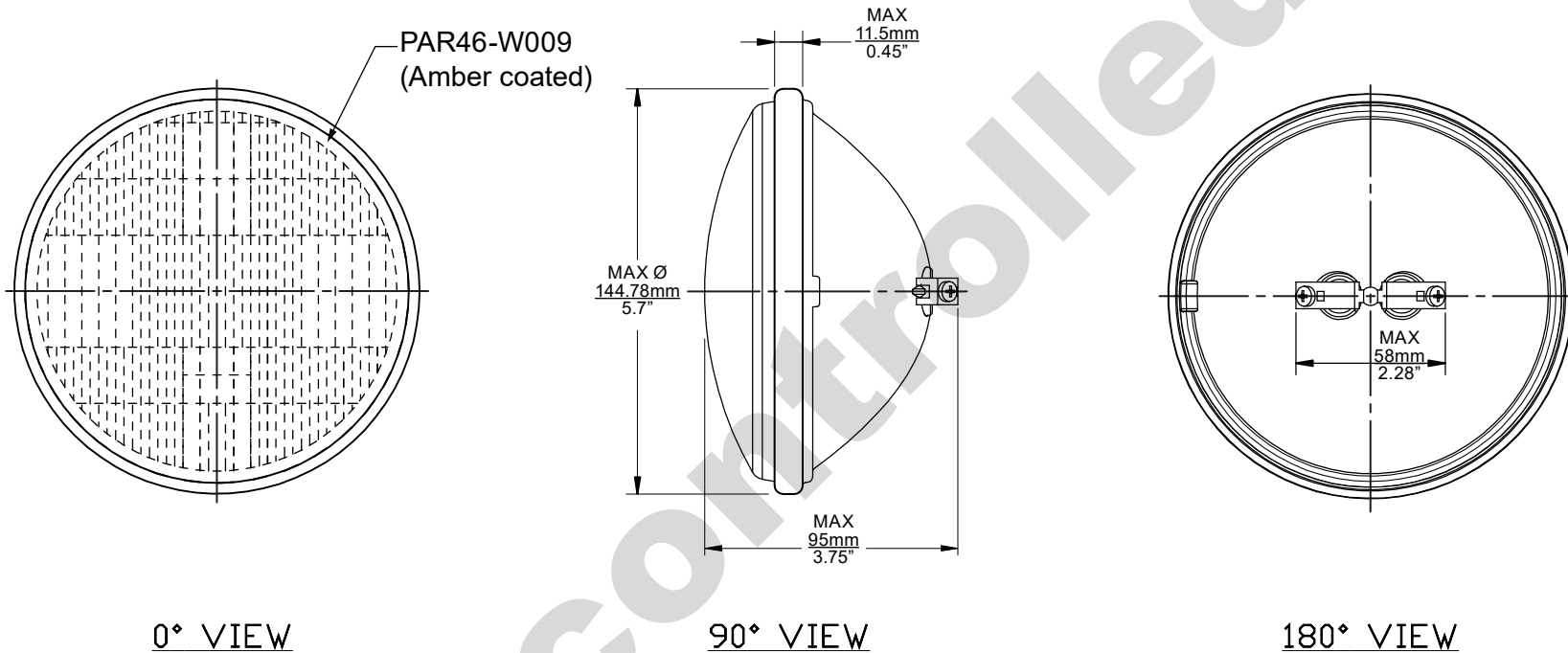




Since 1959

PART NO.	BASE TYPE	DESIGN VOLTS	DESIGN WATTS	APPROX. INITIAL MAX CP	BEAM SPREAD HOR. X VER. DEGREES	AVERAGE LIFE HOURS (AT 14V)	REVISIONS			
							REV #	DESCRIPTION	DATE	APPROVED
4412A	2 SCREW TERMINALS	12.8	35	8,800	40 X 5	100	1	ISSUED	10/05/2016	RM

4412A 12.8V 35W AMBER



UNLESS OTHERWISE SPECIFIED: DIMENSIONS ARE IN INCHES TOLERANCES		CEC INDUSTRIES LTD			
DECIMALS	ANGULAR	599 BOND STREET		LINCOLNSHIRE, IL 60069	
.XX ± .05	± 0.5°	TITLE SEAL BEAM 4412A			
.XXX ± .010	± 1/64	DRAWN ROSE MEDINA	DATE 10/05/2016	SIZE A	FSCM NO. 4412A
FRACTIONAL	± 1/64	CHECKED	SCALE	PLOT SCALE	DWG NO. 4412A
DESIGN		SCALE		PLOT SCALE	SHEET 1 OF 1
MATERIAL		FILE 4412A.pdf		DRAWING NOT TO SCALE	