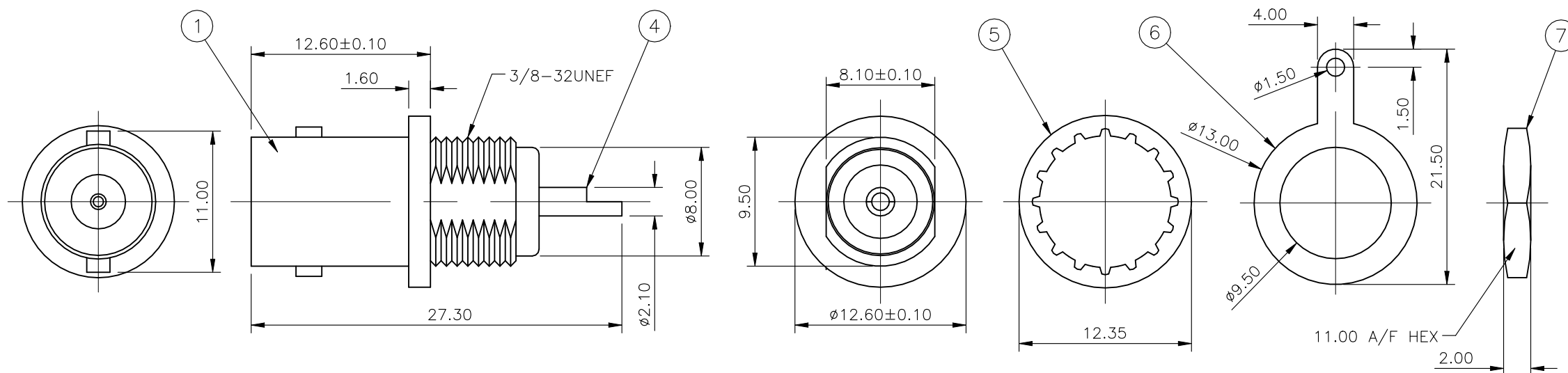


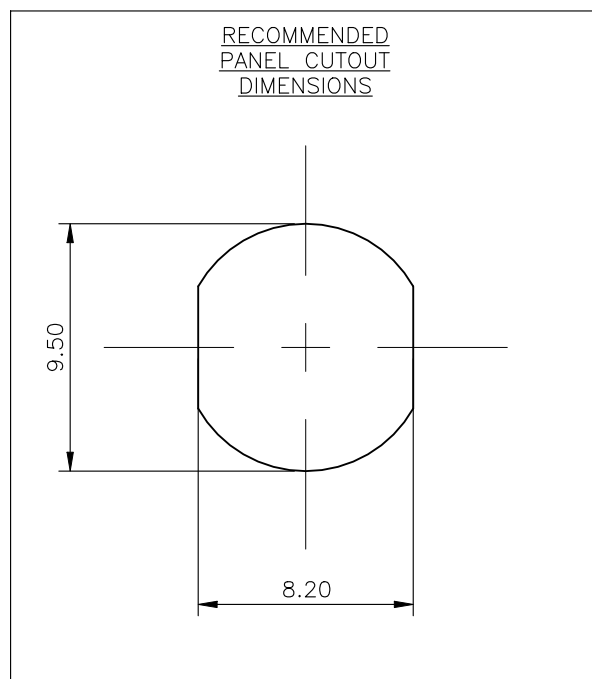
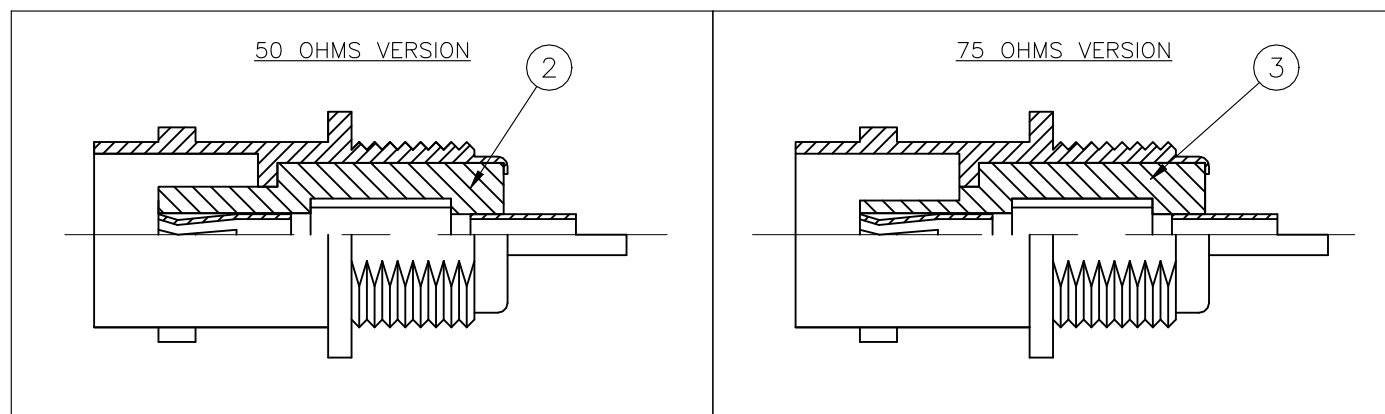
REVISIONS

P	LTR	DESCRIPTION	DATE	DWN	APVD
	C1	REVISED PER ECN-21-105640	09JUN2021	RZ	WK



NOTES

- 1 100 TRAY PACK IN ACCORDANCE WITH AMP SPEC 107-3275
- 2 SINGLE PACK IN ACCORDANCE WITH AMP SPEC 107-3275
- 3 Au PLATING OVER Ni PLATING OVER Cu PLATING
- 4 Ni PLATING OVER Cu PLATING
- 5. FOR TECHNICAL DATA REFER TO YOUR LOCAL TE CONNECTIVITY SALES OFFICE
- 6. ALL DIMENSIONS ARE NOMINAL FOR REFERENCE ONLY UNLESS OTHERWISE STATED



				Obsolete	Obsolete	Obsolete					
				1	1	1	1	BRASS	△	HEX NUT	7
				1	1	1	1	STEEL	△	SOLDER TAG	6
				1	1	1	1	STEEL	△	LOCK WASHER	5
				1	1	1	1	PHOS BRONZE	△	CONTACT	4
				1	1	-	-	POLYMETHYLPENTENE		INSULATOR	3
				-	-	1	1	POLYMETHYLPENTENE		INSULATOR	2
				1	1	-	-	ZINC ALLOY	△	BODY	1
				5--3	5--2	5--1	5--0	MATERIAL		DESCRIPTION	ITEM
				△	△	△	△	QUANTITY PER ASSY			
				PARTS LIST							

THIS DRAWING IS A CONTROLLED DOCUMENT.		DWN RITA ZUO 14 Feb 09	 TE Connectivity  BNC BULKHEAD SOCKET FRONT MOUNT WITH SOLDER TAG			RESTRICTED TO			
DIMENSIONS: mm		CHK ANSON MA 14 Feb 09				NAME		-	
TOLERANCES UNLESS OTHERWISE SPECIFIED:		APVD BOB ZHAO 14 Feb 09				PRODUCT SPEC		-	
0 PLC ± 0.5 1 PLC ± 0.3 2 PLC ± 0.2 3 PLC ± - 4 PLC ± - ANGLES ± -		APPLICATION SPEC				-			
MATERIAL SEE TABLE		FINISH -		WEIGHT 0.000000	SIZE A3	CAGE CODE 00779	DRAWING NO C-1634523	-	
CUSTOMER DRAWING				SCALE NTS	SHEET 1 OF 1	REV C1			