

5-160316-2 ✓ ACTIVE

FASTON | FASTON 110

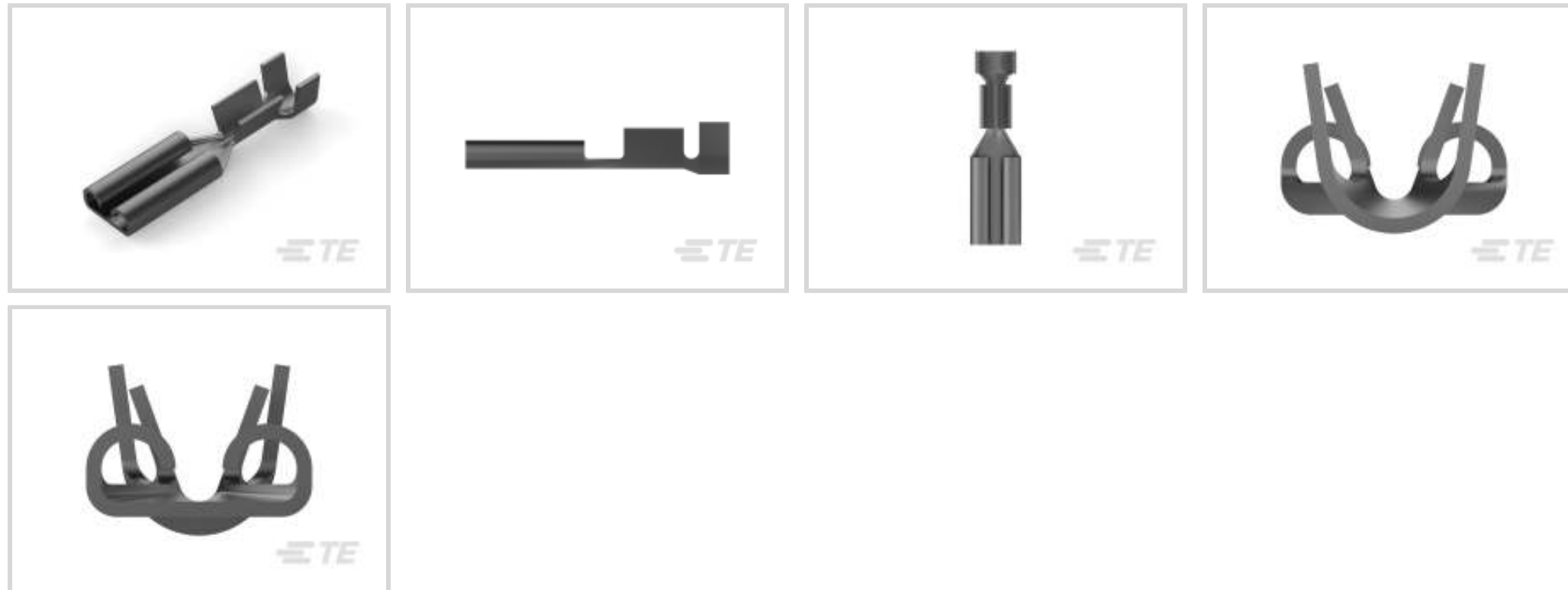
TE Internal #: 5-160316-2

Quick Disconnects, Receptacle, 22 – 20 AWG Wire Size, .32 – .51 mm² Wire Size, Mating Tab Width 2.8 mm [.11 in], Straight, Brass, FASTON 110

[View on TE.com >](#)



Terminals & Splices > Quick Disconnects



Quick Disconnect Terminal Type: **Receptacle**

Wire Size: .32 – .51 mm²

Mating Tab Width: 2.8 mm [.11 in]

Mating Tab Thickness: .51 mm [.02 in]

Features

Product Type Features

Insertion Force	Normal
-----------------	--------

Configuration Features

Connection Capacity	Single
Compatible With Wire & Cable Type	Discrete Wire

Contact Features

Quick Disconnect Terminal Type	Receptacle
Mating Tab Width	2.8 mm [.11 in]
Mating Tab Thickness	.51 mm [.02 in]
Terminal Orientation	Straight
Contact Base Material	Brass
Terminal Plating Material	Tin
Crimp Type	F-Crimp
Barrel Type	Open

Termination Features

--	--



Product Terminates To	Wire & Cable
-----------------------	--------------

Mechanical Attachment

Wire Insulation Support	With
-------------------------	------

Mating Retention Type	Dimple
-----------------------	--------

Dimensions

Terminal Material Thickness	.25 mm[.01 in]
-----------------------------	----------------

Product Length	14 mm[.551 in]
----------------	----------------

Compatible Insulation Diameter Range	1.01 – 2 mm[.04 – .078 in]
--------------------------------------	----------------------------

Wire Size	.32 – .51 mm ²
-----------	---------------------------

Usage Conditions

Insulation Option	Uninsulated
-------------------	-------------

Operating Temperature Range	-40 – 110 °C[-40 – 230 °F]
-----------------------------	----------------------------

Industry Standards

Agency/Standard	CSA, UL
-----------------	---------

Packaging Features

Packaging Quantity	10000
--------------------	-------

Packaging Method	Strip/Reel
------------------	------------

Other

Terminals & Splices Comment	Chamfered
-----------------------------	-----------

Product Compliance

[For compliance documentation, visit the product page on TE.com>](#)

EU RoHS Directive 2011/65/EU	Compliant
------------------------------	-----------

EU ELV Directive 2000/53/EC	Compliant
-----------------------------	-----------

China RoHS 2 Directive MIIT Order No 32, 2016	No Restricted Materials Above Threshold
---	---

EU REACH Regulation (EC) No. 1907/2006	Current ECHA Candidate List: JUNE 2023 (235) Candidate List Declared Against: JAN 2023 (233) Does not contain REACH SVHC
--	--

Halogen Content	Low Halogen - Br, Cl, F, I < 900 ppm per homogenous material. Also BFR/CFR/PVC Free
-----------------	---

Solder Process Capability	Not applicable for solder process capability
---------------------------	--

Product Compliance Disclaimer

This information is provided based on reasonable inquiry of our suppliers and represents our current actual knowledge based on the information they provided. This information is subject to change. The part numbers that TE has identified as EU RoHS compliant have a maximum concentration of 0.1% by weight in homogenous materials for lead, hexavalent chromium, mercury, PBB, PBDE, DBP, BBP, DEHP, DIBP, and 0.01% for cadmium, or qualify for an exemption to these limits as defined in the Annexes of Directive 2011/65/EU (RoHS2). Finished electrical and electronic equipment products will be CE marked as required by Directive 2011/65/EU. Components may not be CE marked. Additionally, the part numbers that TE has identified as EU ELV compliant have a maximum concentration of 0.1% by weight in homogenous materials for lead, hexavalent chromium, and mercury, and 0.01% for cadmium, or qualify for an exemption to these limits as defined in the Annexes of Directive 2000/53/EC (ELV). Regarding the REACH Regulation, the information TE provides on SVHC in articles for this part number is based on the latest European Chemicals Agency (ECHA) 'Guidance on requirements for substances in articles' posted at this URL: <https://echa.europa.eu/guidance-documents/guidance-on-reach>

Compatible Parts



TE Part # 160597-4
110 FASTON,REC.,30-26 AWG,TPBR



TE Part # 2-2150182-1
OCEAN_2.0_Applicator-E-055F090F



TE Part # 2-2150182-2
OCEAN_2.0_Applicator-E-055F090F



TE Part # 2150182-1
OCEAN_2.0_Applicator-E-055F090F



TE Part # 2150182-2
OCEAN_2.0_Applicator-E-055F090F



TE Part # 574868
DAHT TAPER PIN FASTON 24-22 ASSY



TE Part # 7-2150182-1
OCEAN_2.0_Applicator-E-055F090F



TE Part # 7-2150182-2
OCEAN_2.0_Applicator-E-055F090F



KIT
TE Part # 7-2150182-7
OCEAN_2.0_SPARE_PART_KIT-055F090F



TE Part # 734520-1
.110 FAST.HANDTOOL

Also in the Series | FASTON 110



Crimp Terminal Housings(13)



Insertion & Extraction Tools(1)

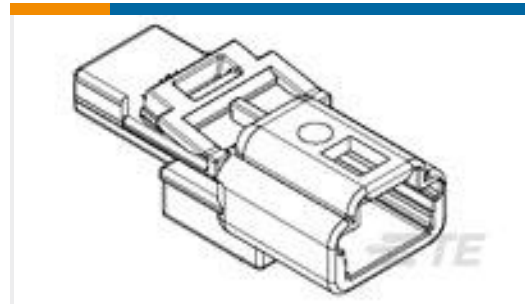


PCB Terminals(21)



Quick Disconnects(172)

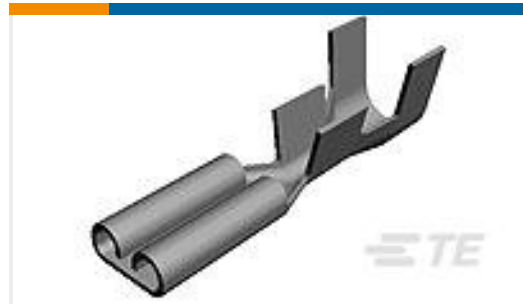
Customers Also Bought



TE Part #1379674-2
4W TAB HSG CODING 2 GRAY



TE Part #1-1622825-6
RL73K 3A R22 5% 1K RL



TE Part #180437-2
110 FASTON,REC.,20-16 AWG,PTBR



TE Part #1563124-1
2. LOCK,10 POS FEM HOUSING



TE Part #4-1879337-6
CPF 0603 7K32 1% 50PPM 1K RL



TE Part #1241390-1
AMP MCP 2.8K, CONTACT



TE Part #7-1452656-1
MCON 1.2 LL REC SRC SN



TE Part #1563123-2
10POS, MIXED,REC HSG



TE Part #2177000-1
10POS,0.64 GENER. Y,REC HSG,ASSY



TE Part #881507-5
FF 110 REC 0.5-1.5 MM2 0.25 X 12.3
PTPBR

Documents

Product Drawings

[110 FASTON REC 22-20 AWG TPBR](#)

English

CAD Files

[3D PDF](#)

3D

[Customer View Model](#)

[ENG_CVM_CVM_5-160316-2_AC.2d_dxf.zip](#)



English

Customer View Model

[ENG_CVM_CVM_5-160316-2_AC.3d_igs.zip](#)

English

Customer View Model

[ENG_CVM_CVM_5-160316-2_AC.3d_stp.zip](#)

English

By downloading the CAD file I accept and agree to the [Terms and Conditions](#) of use.

Product Specifications

EBGeneral Application Specification for Open Barrel Terminals**

English

[Application Specification](#)

English

Product Environmental Compliance

[MD_5-160316-2_01162018528_dmtec](#)

English

[MD_5-160316-2_01162018528_dmtec](#)

English

Agency Approvals

[UL](#)

English