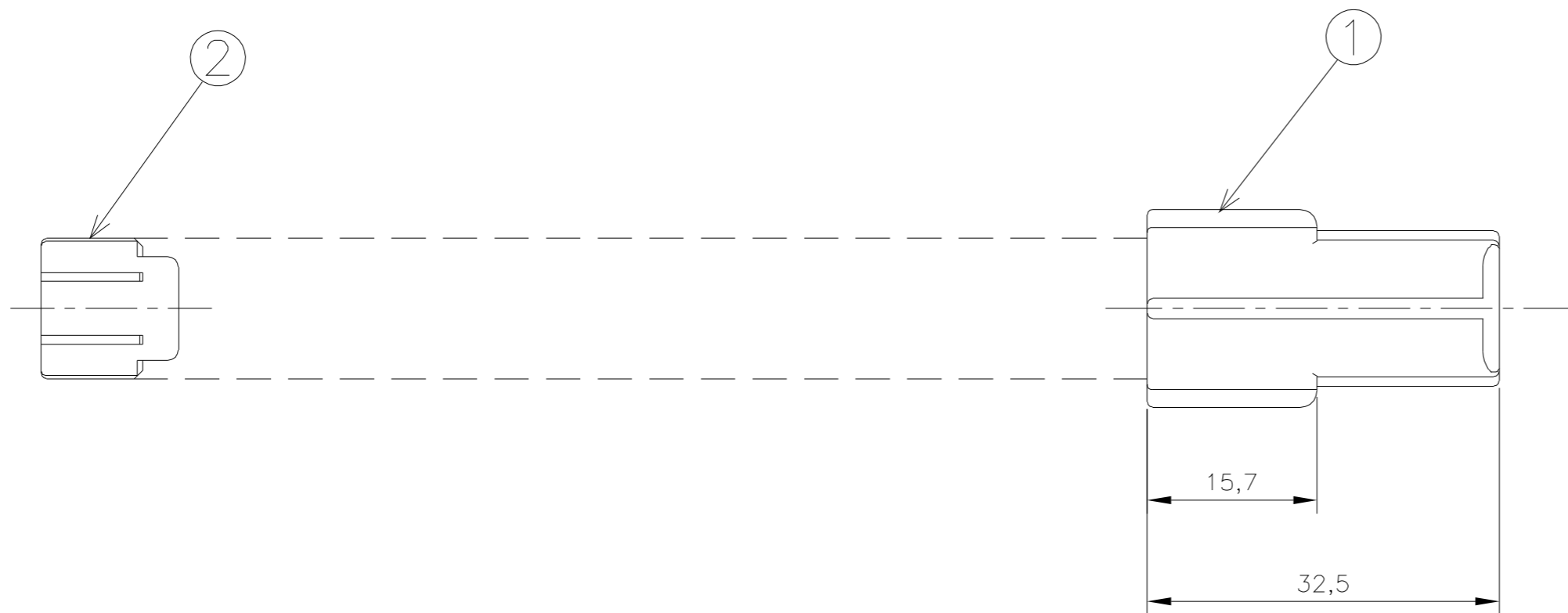
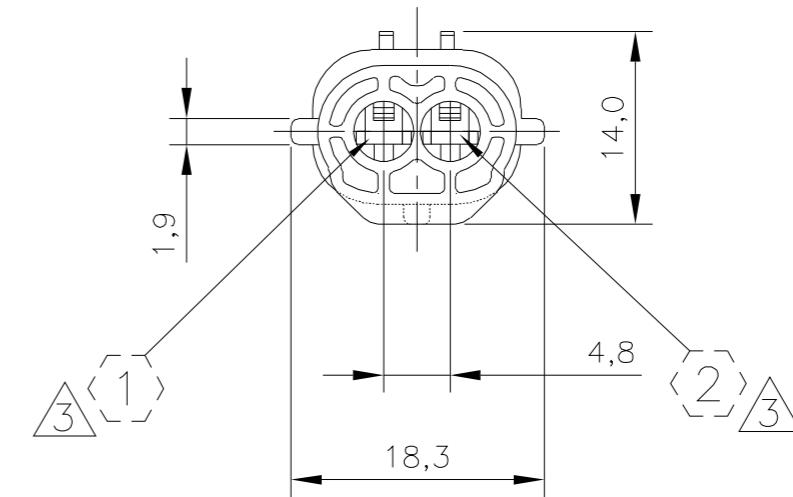
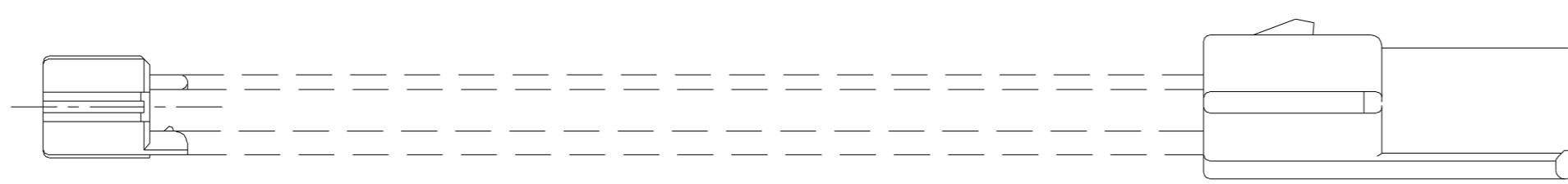


LOC		DIST		REVISIONS			
P	LTR	DESCRIPTION	DATE	DWN	APVD		
	B1	REVISED DESIGN ECO-12-009649	23MAY2012	NCL	GOJ		



1 - OS ITENS 1 e 2 DEVEM SER FORNECIDOS DESMONTADOS  
 - ITEMS 1 AND 2 MUST BE SUPPLIED NOT ASSEMBLED

2 - CONTRA-PEÇA: VER DESENHO PN 881773  
 - COUNTER-PART: SEE DRAWING PN 881773

3 - INDICAÇÃO DOS CIRCUITOS SOMENTE ORIENTATIVO: NÃO CONSTAM COMO GRAVAÇÃO NA PEÇA FÍSICA  
 - CIRCUIT INDICATION IS ONLY ORIENTATIVE: DON'T HAVE MARKING IN THE PHYSICAL PART

SELOS RECOMENDADOS RECOMMENDED WIRE SEALS					
172748-1	SINGLE WIRE SEAL	CAVITY PLUG	CAVITY PLUG	SILICONE / SILICON	PRETO/BLACK
172748-2	SINGLE WIRE SEAL	CAVITY PLUG	CAVITY PLUG	SILICONE / SILICON	CINZA/GRAY
444430-1	SINGLE WIRE SEAL	0,5 TO 1,5mm <sup>2</sup>	Ø 1,4 TO 2,4mm	SILICONE / SILICON	MARROM/BROWN
PART NUMBER	DESCRIÇÃO DESCRIPTION	WIRE RANGE	INSULATION RANGE	MATERIAL	ACABAMENTO FINISH

TERMINAIS RECOMENDADOS RECOMMENDED TERMINALS					
881590-1	TERMINAL 1.8 ECONOSEAL "J" SERIES MARKII TAB	0,5 TO 1,0mm <sup>2</sup>	Ø 1,4 TO 2,0mm	LATÃO/BRASS	PRÉ ESTANHADO/PRE TIN
881590-2	TERMINAL 1.8 ECONOSEAL "J" SERIES MARKII TAB	0,5 TO 1,0mm <sup>2</sup>	Ø 1,4 TO 2,0mm	BRONZE	PRÉ ESTANHADO/PRE TIN
881593-1	TERMINAL 1.8 ECONOSEAL "J" SERIES MARKII TAB	0,5 TO 1,0mm <sup>2</sup>	Ø 1,4 TO 2,4mm	LATÃO/BRASS	PRÉ ESTANHADO/PRE TIN
881593-2	TERMINAL 1.8 ECONOSEAL "J" SERIES MARKII TAB	0,5 TO 1,0mm <sup>2</sup>	Ø 1,4 TO 2,4mm	BRONZE	PRÉ ESTANHADO/PRE TIN
881594-1	TERMINAL 1.8 ECONOSEAL "J" SERIES MARKII TAB	1,0 TO 1,5mm <sup>2</sup>	Ø 1,4 TO 2,4mm	LATÃO/BRASS	PRÉ ESTANHADO/PRE TIN
881594-2	TERMINAL 1.8 ECONOSEAL "J" SERIES MARKII TAB	1,0 TO 1,5mm <sup>2</sup>	Ø 1,4 TO 2,4mm	BRONZE	PRÉ ESTANHADO/PRE TIN
PART NUMBER	DESCRIÇÃO DESCRIPTION	WIRE RANGE	INSULATION RANGE	MATERIAL	ACABAMENTO FINISH

	1	2	DESCRIPTION	MATERIAL	ACABAMENTO FINISH
REQ. PER ASSY	1	1	DOUBLE LOCK 2 POSN. ECONOSEAL "J" MARK II	PBT	AMARELO / YELLOW
			PLUG HSG, 2 POSN. ECONOSEAL "J" MARK II	PBT	PRETO / BLACK
	-1				
	881772				

THIS DRAWING IS A CONTROLLED DOCUMENT.		DWN	NCLapresa	13MAY2011	TE Connectivity	
DIMENSIONS: mm		CHK	José R. Goldschmidt	16MAY2011	NAME	
TOLERANCES UNLESS OTHERWISE SPECIFIED:		APVD	Maurício Gisoldi	16MAY2011	PRODUCT SPEC	
0 PLC ± -				KIT ECONOSEAL "J" 2 POSN.		
1 PLC ± 0,2				APPLICATION SPEC		
2 PLC ± 0,1				SIZE		
3 PLC ± -				CAGE CODE		
4 PLC ± -				DRAWING NO		
ANGLES ± 0°30'				RESTRICTED TO		
FINISH				WEIGHT		
MATERIAL				A2 00779		
VER TABELA				DRAWING NO		
				C=881772		
				CUSTOMER DRAWING		
				SCALE 2:1		
				SHEET 1 of 1		
				REV B1		

