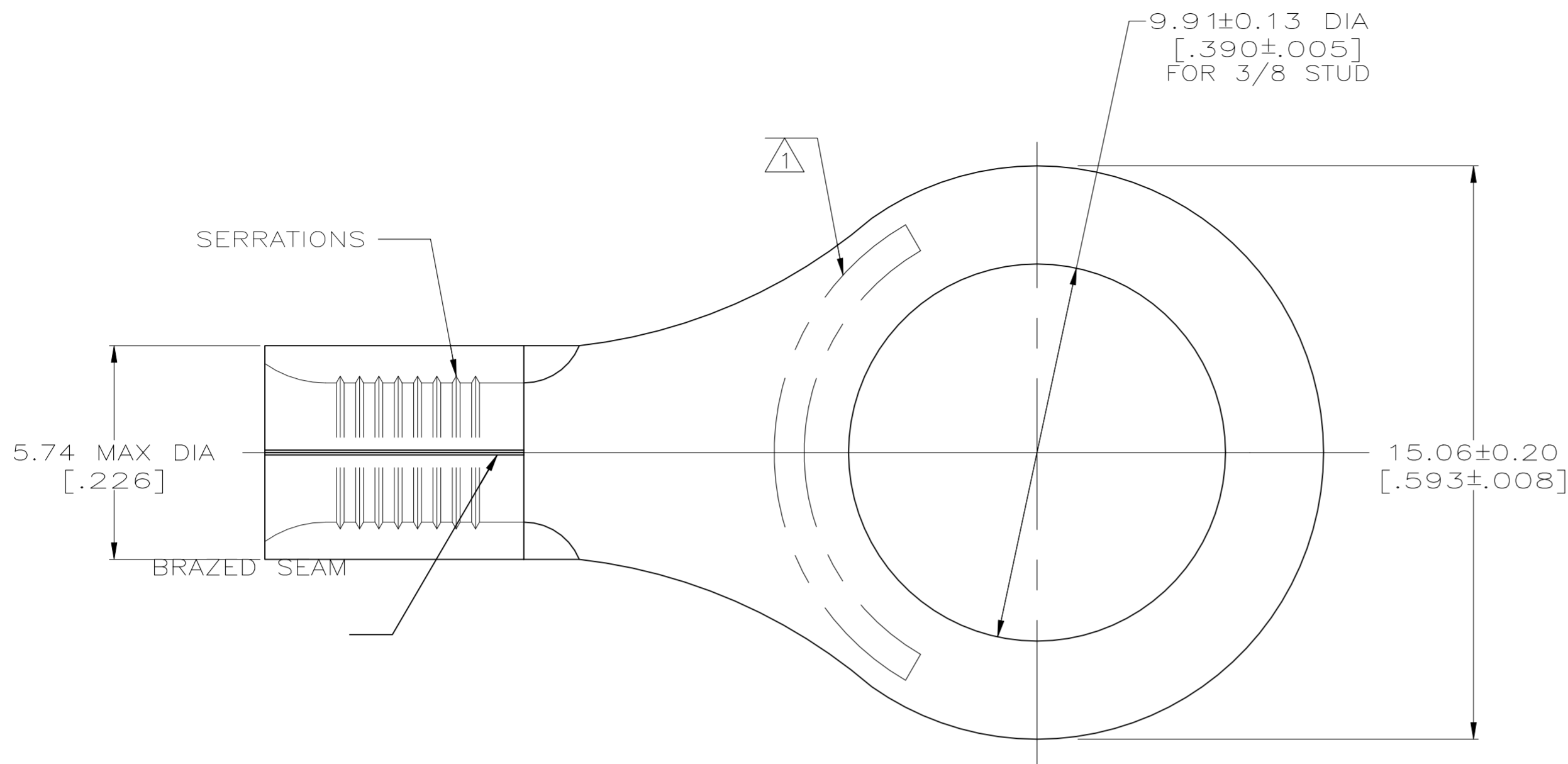


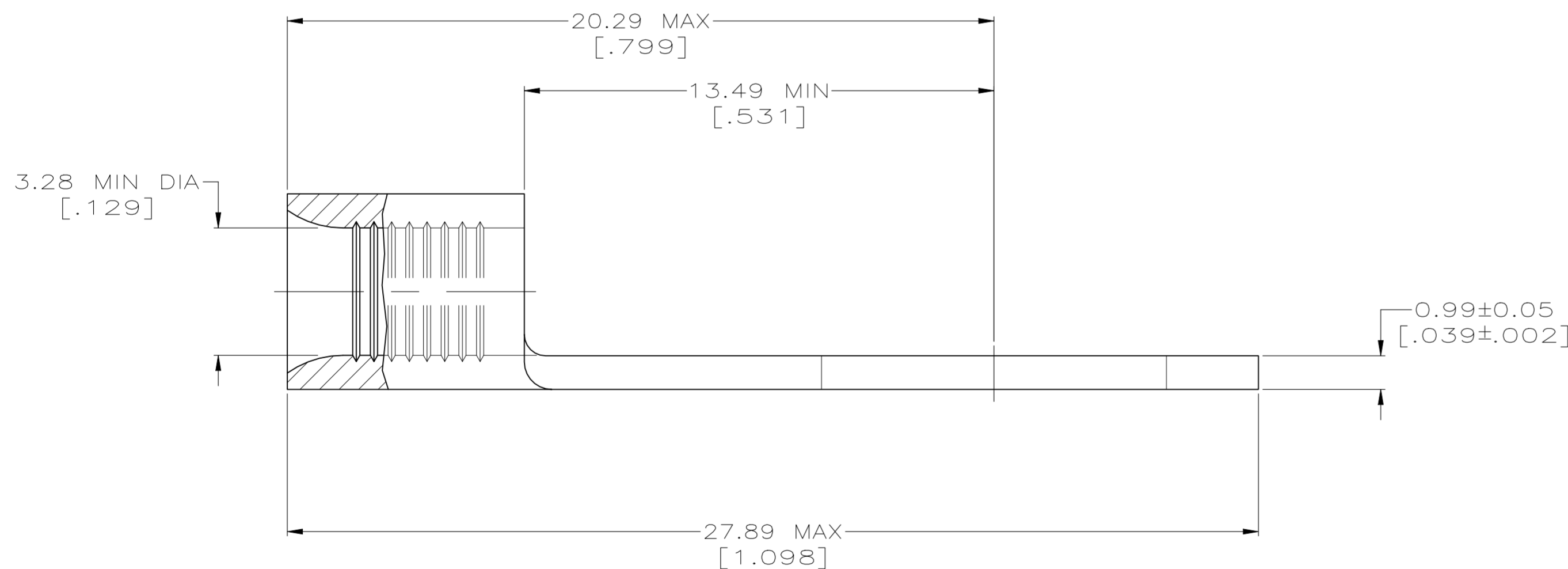
REVISIONS					
P	LTR	DESCRIPTION	DATE	DWN	APVD
H2		REVISED PER ECN-22-156403	03JUN2022	RK	CSD

**METRIC**  
DIMENSIONS LISTED IN mm [ INCHES ]



<b>AMP</b> WIRE RANGE	E13288 Listed
12-10 AWG SOLID OR STRANDED	12-10 AWG STRANDED
LR7189 Certified	MILITARY P/N AND CLASS
12-10 AWG SOLID OR STRANDED	MS20659-128 CLASS 1 P/N 33220 ONLY

STAMP AMP 12-10\* APPROX AS SHOWN



**AMP INCORPORATED  
CUSTOMER SERVICE SYSTEMS**

MAX RECOMMENDED OPERATING TEMPERATURE:  
170° C MAX

FOR ADDITIONAL PRODUCT INFORMATION OR COPIES OF DRAWINGS AND TECHNICAL DOCUMENTS

PRODUCT INFORMATION CENTER  
1-800-522-6752

VOLTAGE RATING:  
NOT APPLICABLE

FOR APPLICATION TOOLING INFORMATION

TOOLING ASSISTANCE CENTER  
1-800-722-1111

WIRE CROSS SECTIONAL AREA RANGE:  
2.62-6.64mm<sup>2</sup> [5,180-13,100] CIR MILS  
SOLID OR STRANDED

FOR ORDER ENTRY

1-800-526-5142

THIS DRAWING IS A CONTROLLED DOCUMENT FOR AMP INCORPORATED. IT IS SUBJECT TO CHANGE AND THE CONTROLLING ENGINEERING ORGANIZATION SHOULD BE CONTACTED FOR THE LATEST REVISION.

THIS DRAWING IS A CONTROLLED DOCUMENT.

DWN	TA BRINKMAN	3-17-93
CHK	DA PATTERSON	3-17-93
APVD	DE MILLER	3-17-93
PRODUCT SPEC		
APPLICATION SPEC		

TE Connectivity			
NAME TERMINAL, RING TONGUE, SOLISTRAND			
SIZE	CAGE CODE	DRAWING NO	RESTRICTED TO
A2	00779	C=33220	-
CUSTOMER DRAWING		SCALE	SHEET
		8:1	1 OF 1
		REV	H2

DIMENSIONS: mm[INCHES]	TOLERANCES UNLESS OTHERWISE SPECIFIED:
	0 PLC ± -
	1 PLC ± -
	2 PLC ± -
	3 PLC ± -
	4 PLC ± -
	ANGLES ± -
MATERIAL COPPER PER ASTM B-152 ANNEALED	FINISH TIN PLATE 0.00254[.000100] MIN THK PER MIL-T-10727

50	LOOSE PIECE, SPCL BOX	8-33220-5
50	LOOSE PIECE, BOX	8-33220-2
1000	TAPE MOUNTED	1-33220-2
-	-	33220
QTY	PACKAGE TYPE	PART NO