

Ratings

Voltage: 600 V
 Temperature: -40~105 °C
 Flammability: FT2

Conductor

Conductor count: 5
 Gauge: 32 AWG 0.04 mm²
 Material: tinned copper strands
 Strand size: $\phi 0.08 \times 7$
 Resistance at 20 °C: 588 Ω /km max

Insulator

Material: mPPE
 Color: red, black, white, yellow, blue
 Diameter: $\phi 0.75 \pm 0.08$ mm
 Average thickness: 0.24 mm
 Resistance at 20 °C: 100 M Ω /km min

Filler

Material: cotton rope

Wrap

Material: cotton paper

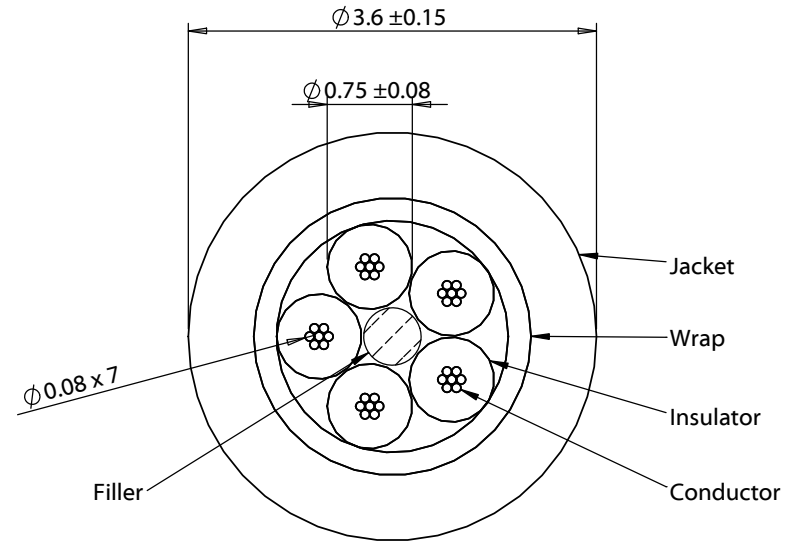
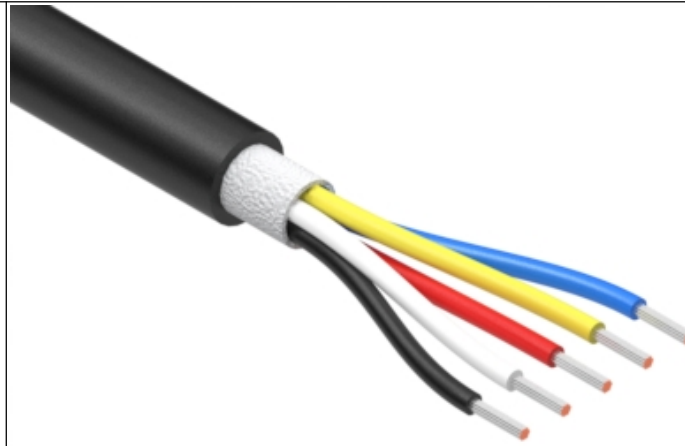
Outer jacket

Material: mPPE, 85A
 Color: black
 Diameter: $\phi 3.6 \pm 0.15$ mm
 Average thickness: 0.74 mm

Wire marking: E339579 UL AWM STYLE 21509 32 AWG 105°C
 600V --- cUL AWM I A 105°C 600V FT2 TENSILITY

Bend radius

Minimum: 6 times diameter (21.6 mm)



| | | | | | |
|-----------|----------|-----------------|--|---|---|
| Revision: | Date: | Description: | Prepared: AW <small>Digitally signed by AW Date: 2021.05.19 09:51:41 -07'00'</small> | Notes: | TENSILITY tel 1.541.323.3228 800 877.670.7118 fax 1.541.323.4202 web tensility.com |
| A | 5/5/2021 | Initial release | Verified: JC <small>Digitally signed by JC Date: 2021.05.19 12:06:27 -07'00'</small> | RoHS compliant Phthalate and halogen free | |
| | | | Dimensions are in millimeters. Tolerances: X: ± 0.5 mm X.X: ± 0.3 mm X.XX: ± 0.05 mm | Description: | Size: A |
| | | | | Wire, 5C TS, 32 AWG, 21509, 600V, 105C, 3.6 mm, FT2, mPPE | Part number: 30-02005 |
| | | | | | Sheet 1 of 1 |

5

4

3

2

1