

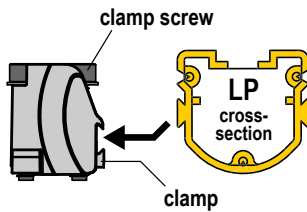
EZ-SCREEN LP Rotational Side Bracket

Supplement

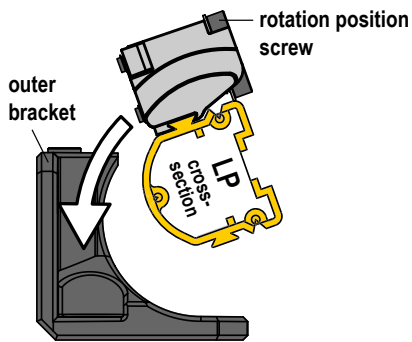
Guide to bracket mounting

Use the screwdriver provided with the EZ-SCREEN LP to access the DIP switches. Use a 3 mm hex driver to tighten the mounting bracket and achieve the listed torque specifications.

- 1 Adjust clamp screw to loosen or tighten clamp.



- 2 Slide inner bracket assembly into outer bracket groove.



- 3 With the light screen aligned, tighten rotation position screw to complete installation.

