

Surge protection device - MT-RS485 - 2762265

Please be informed that the data shown in this PDF Document is generated from our Online Catalog. Please find the complete data in the user's documentation. Our General Terms of Use for Downloads are valid (<http://download.phoenixcontact.com>)



Rail-mountable module with surge voltage coarse and fine protection for RS-485 interface, for mounting on NS 35/7.5, housing width: 50 mm

The illustration shows version MT-RS485/S



Key commercial data

| | |
|------------------------|---|
| Packing unit | 1 |
| Minimum order quantity | 5 |
| Catalog page | Page 100 (TT-2002) |
| GTIN |  4 017918 064945 |
| Custom tariff number | 85363010 |
| Country of origin | GERMANY |

Technical data

General

| | |
|---------------------------------|---|
| Color | black |
| Ambient temperature (operation) | -40 °C ... 60 °C |
| Mounting type | DIN rail: 35 mm |
| Design | Rail-mountable module, one-piece |
| Degree of protection | IP20 |
| Direction of action | Line-Line & Line-Signal Ground/Shield & Signal Ground/Shield-Earth Ground |
| Width | 47.6 mm |
| Height | 77.5 mm |
| Depth | 54.9 mm |

Protective circuit

| | |
|-----------------------|----|
| IEC category | C2 |
| IEC category | C3 |
| IEC category | D1 |
| VDE requirement class | C2 |
| VDE requirement class | C3 |

Surge protection device - MT-RS485 - 2762265

Technical data

Protective circuit

| | |
|--|------------------------------------|
| VDE requirement class | D1 |
| Maximum continuous voltage UC (wire-ground) | 12 V DC |
| Nominal current I _N | 450 mA (25°C) |
| Operating effective current I _C at UC | ≤ 10 μA |
| Nominal discharge surge current I _n (8/20) μs (Core-Core) | 10 kA |
| Nominal discharge surge current I _n (8/20) μs (Core-Earth) | 10 kA |
| Lightning test current (10/350) μs, peak value I _{imp} | 500 A |
| Output voltage limitation at 1 kV/μs (Core-Core) spike | ≤ 22 V |
| Output voltage limitation at 1 kV/μs (Core-Earth) spike | ≤ 600 V |
| Output voltage limitation at 1 kV/μs (Core-Core) static | ≤ 22 V |
| Output voltage limitation at 1 kV/μs (Core-Earth) static | ≤ 600 V |
| Output voltage limitation at 1 kV/μs (Core-GND) static | ≤ 22 V |
| Residual voltage at I _n , (conductor-conductor) | ≤ 19 V |
| Residual voltage at I _n , (conductor-GND) | ≤ 19 V |
| Protection level UP (Core-Core) | ≤ 22 V |
| Protection level UP (Core-Earth) | ≤ 600 V |
| Protection level UP (Core-GND) | ≤ 22 V |
| Response time t _A (Core-Core) | 1 ns |
| Response time t _A (Core-Earth) | ≤ 1 ns |
| Response time t _A (Core-Earth) | ≤ 100 ns |
| Input attenuation a _E , sym. | ≤ 0.1 dB (Up to 10 kHz) |
| Input attenuation a _E , asym. | 0.8 dB (up to 0.1 MHz 50 Ω system) |
| Input attenuation a _E , asym. | 0.1 dB (up to 10 kHz 600 Ω system) |
| Cut-off frequency f _g (3 dB), asym. (GND) in 50 Ohm system | 1.3 MHz |
| Cut-off frequency f _g (3 dB), asym. (GND) in 600 Ohm system | 130 kHz |
| Resistance in series | 4.4 Ω |

Connection data

| | |
|--|-----------------------|
| Connection method | Screw connection |
| Connection type IN | Screw terminal blocks |
| Connection type OUT | Screw terminal blocks |
| Screw thread | M3 |
| Stripping length | 8 mm |
| Conductor cross section stranded min. | 0.2 mm ² |
| Conductor cross section stranded max. | 2.5 mm ² |
| Conductor cross section solid min. | 0.2 mm ² |
| Conductor cross section solid max. | 4 mm ² |
| Conductor cross section AWG/kcmil min. | 24 |
| Conductor cross section AWG/kcmil max | 12 |

Connection, protective circuit

| | |
|-----------------------|--------------|
| Standards/regulations | IEC 61643-21 |
|-----------------------|--------------|

Surge protection device - MT-RS485 - 2762265

Classifications

eclass

| | |
|------------|----------|
| eCl@ss 4.0 | 27140201 |
| eCl@ss 4.1 | 27130801 |
| eCl@ss 5.0 | 27130801 |
| eCl@ss 5.1 | 27130801 |
| eCl@ss 6.0 | 27130807 |
| eCl@ss 7.0 | 27130807 |

etim

| | |
|----------|----------|
| ETIM 2.0 | EC000943 |
| ETIM 3.0 | EC000943 |
| ETIM 4.0 | EC000943 |

unspsc

| | |
|---------------|----------|
| UNSPSC 6.01 | 30212010 |
| UNSPSC 7.0901 | 39121610 |
| UNSPSC 11 | 39121610 |
| UNSPSC 12.01 | 39121610 |
| UNSPSC 13.2 | 39121620 |

Approvals

Approvals

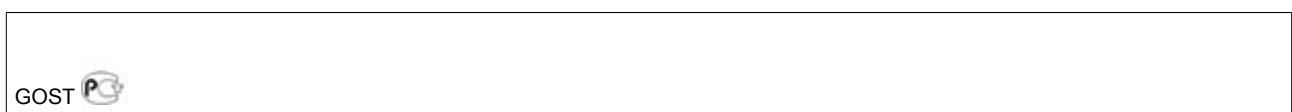
Approvals

GOST / GOST

Ex Approvals

Approvals submitted

Approval details



Surge protection device - MT-RS485 - 2762265

Accessories

Additional products

Shield connection - SSA 3-6 - 2839295



shield fast connections for conductor diameter 3 - 6 mm. Potential connection cable: 200 mm, black

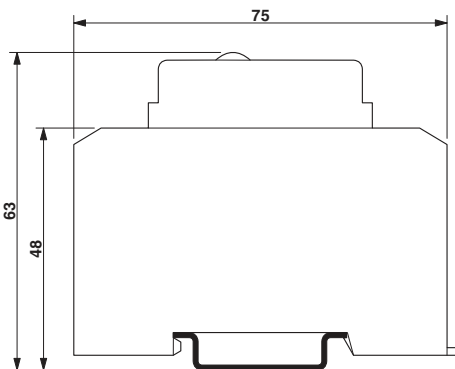
Shield connection - SSA 5-10 - 2839512



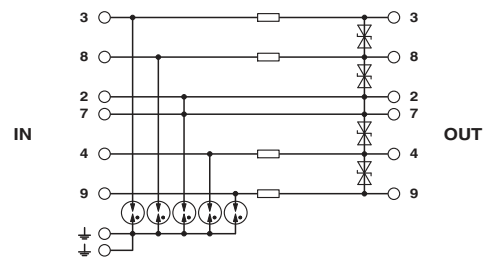
Shield fast connection for conductor diameters 5 - 10 mm. Potential connection cable: 200 mm, black

Drawings

Dimensioned drawing

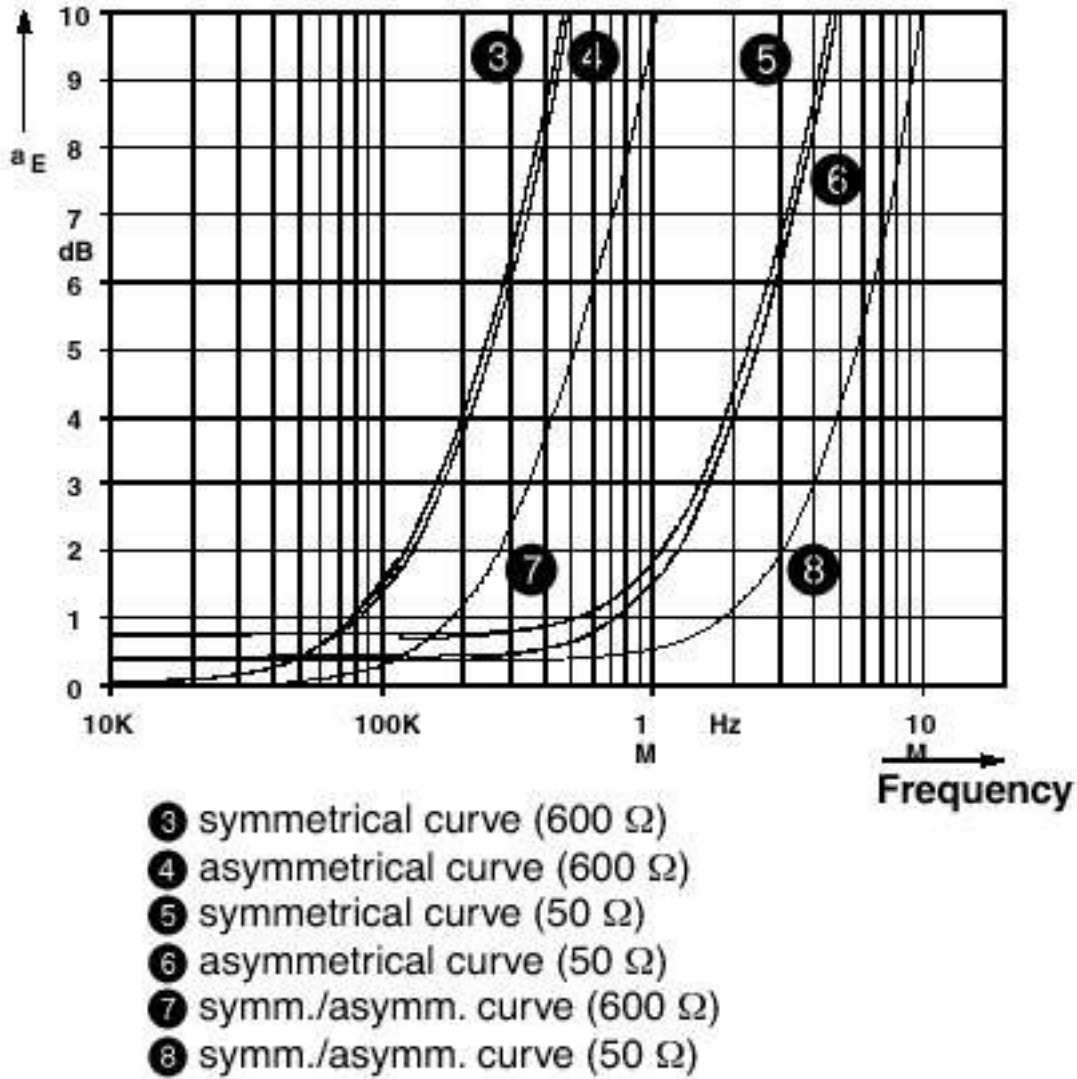


Circuit diagram



Surge protection device - MT-RS485 - 2762265

Diagram



Characteristic attenuation curve