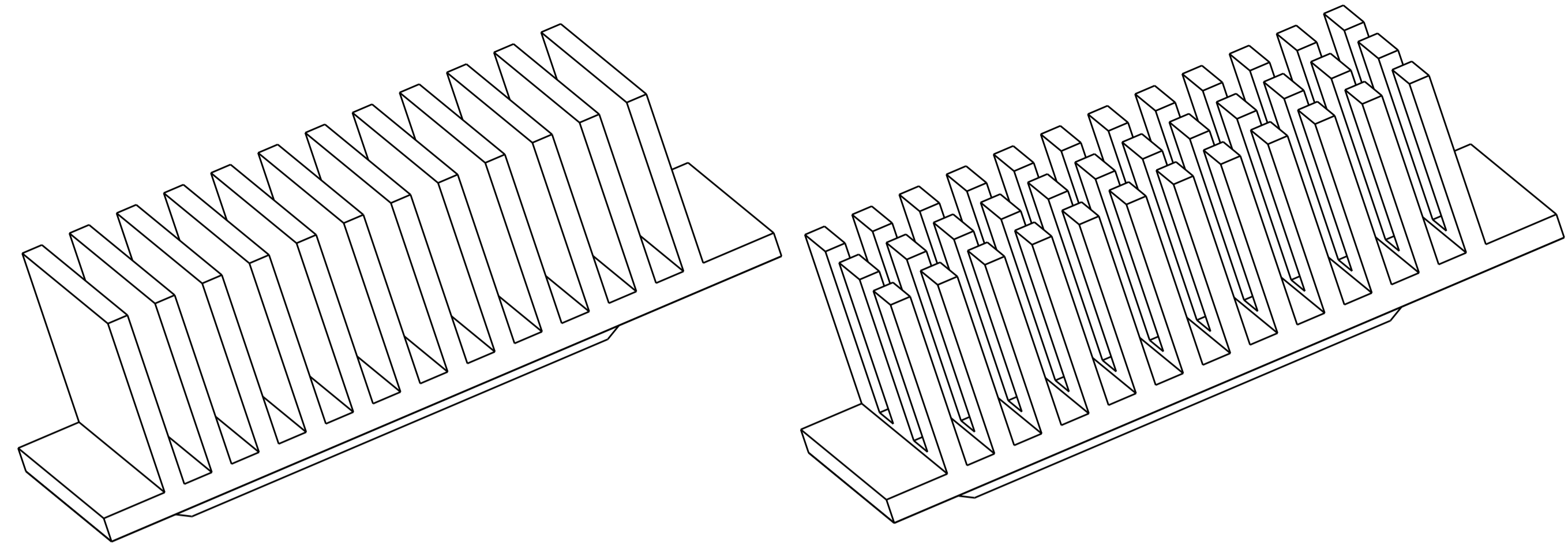


LOC		DIST		REVISIONS			
P	LTN	DESCRIPTION	DATE	DWN	APVD		
1		PRELIMINARY	17AUG2012	JY	AC		

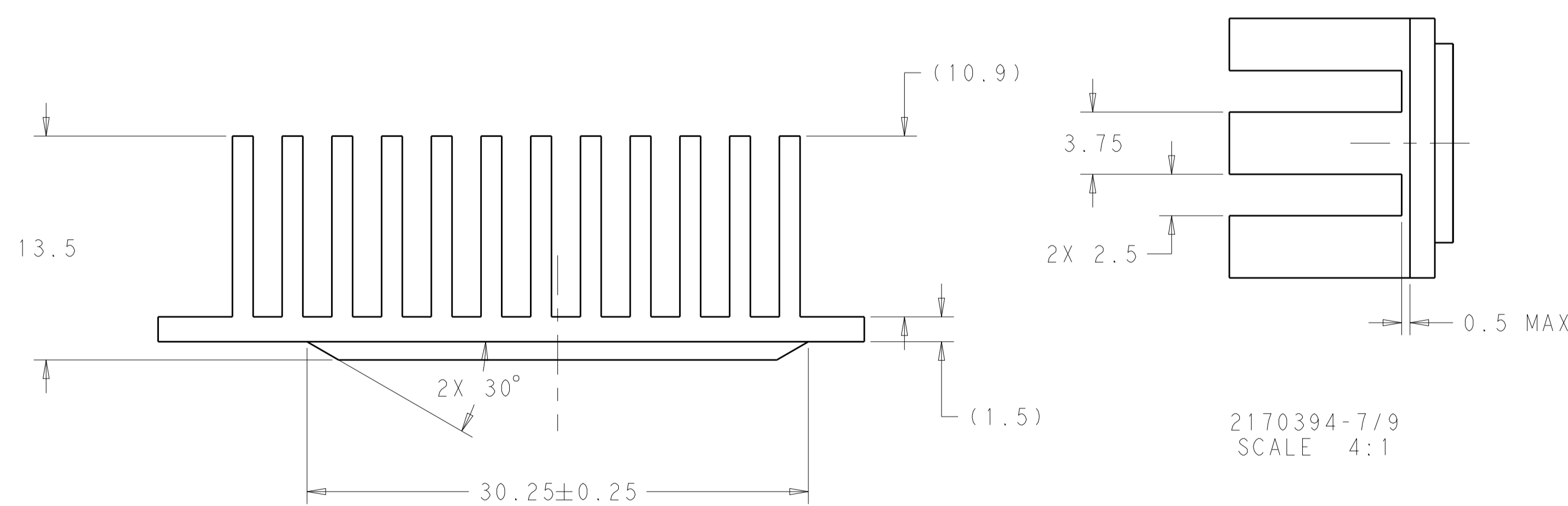
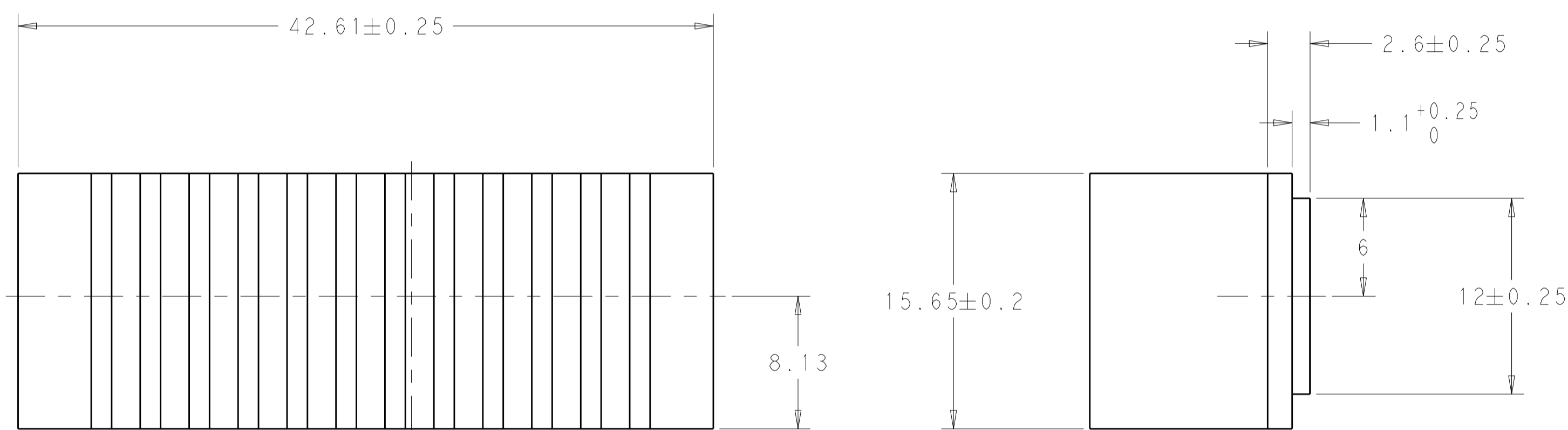


2170394-2/4
WO LIGHT PIPE SLOTS
SCALE 4:1

2170394-7/9
W LIGHT PIPE SLOTS
SCALE 4:1

NOTES:

- UNLESS OTHERWISE SPECIFIED
- ① MATERIAL: ALUMINUM.
- ② FINISH: ANODIZED BLACK.
- ③ FINISH: NICKEL PLATED.
- 4. INTERPRET DRAWING PER ASME Y14.5M - 1994.
- 5. 0,2mm MAX BURR.
- 6. VARIATION IN PLATING COLOR IS NORMAL AND ALLOWED.
- 7. RoHS COMPLIANT AND CERTIFIED.



2170394-7/9
SCALE 4:1

③	SALE PART	2170394-9
②	SALE PART	2170394-7
③	SALE PART	2170394-4
②	SALE PART	2170394-2
FINISH	DESCRIPTION	PART NUMBER

DIMENSIONS:		TOLERANCES UNLESS OTHERWISE SPECIFIED:		MATERIAL:		FINISH:		MATERIAL:		FINISH:	
mm	0 PLC	±0.5									
	1 PLC	±0.5									
	2 PLC	±0.25									
	3 PLC	±									
	4 PLC	±									
	ANGLES	±									

THIS DRAWING IS A CONTROLLED DOCUMENT.		DWN	JASON YANG	17AUG2012	NAME		HEAT SINK, 13.5MM TALL QSPF CAGE, GANGED		
		CHK	ALEX CAI	17AUG2012	SIZE		A100779C=2170394		
		APVD	ALEX CAI	17AUG2012	CAGE CODE		DRAWING NO		
		CUSTOMER DRAWING		SCALE		4:1		SHEET 1 OF 1	